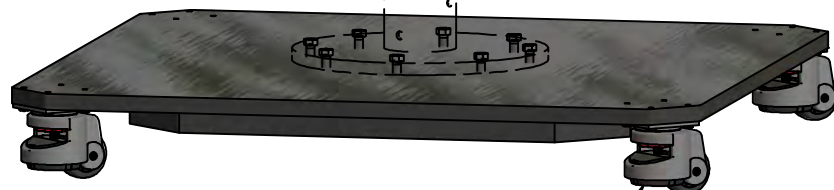


CAN BE USED WITH:
 PM 22-A, PM 22-S
 PM 23-A, PM 23-S
 PM 32-A, PM 32-S
 PM 33-A, PM 33-S
 PM 24-S, PM-RNR

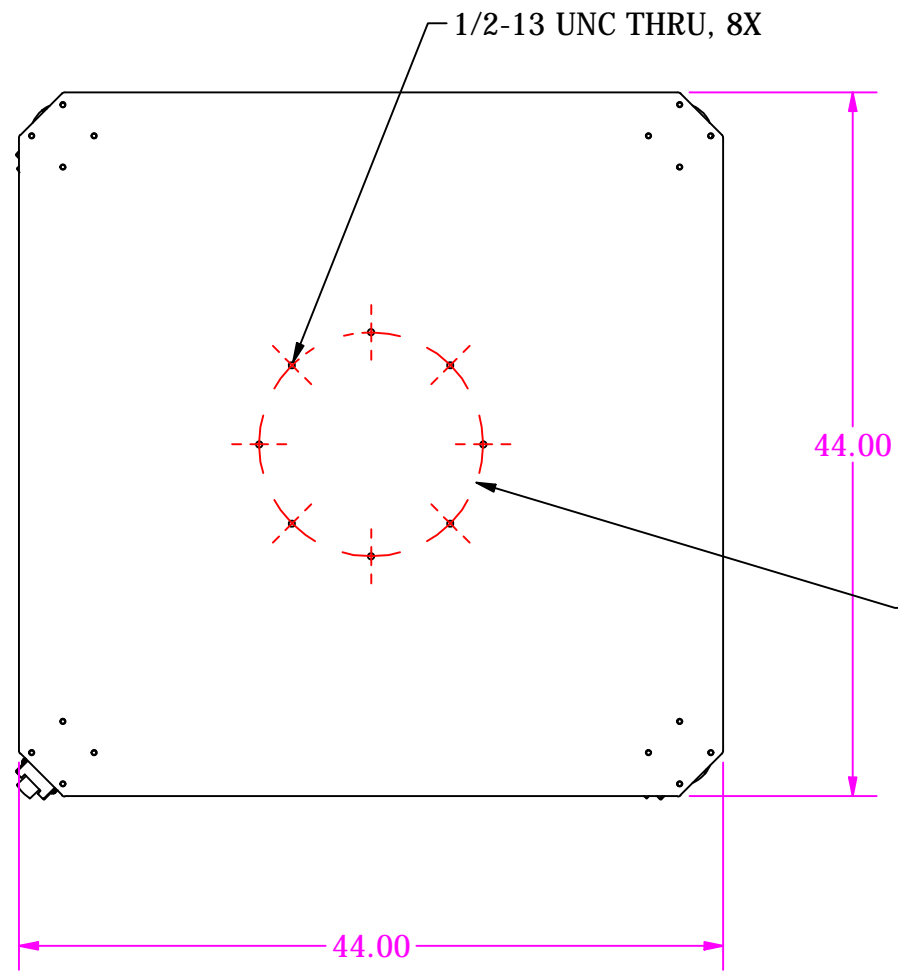
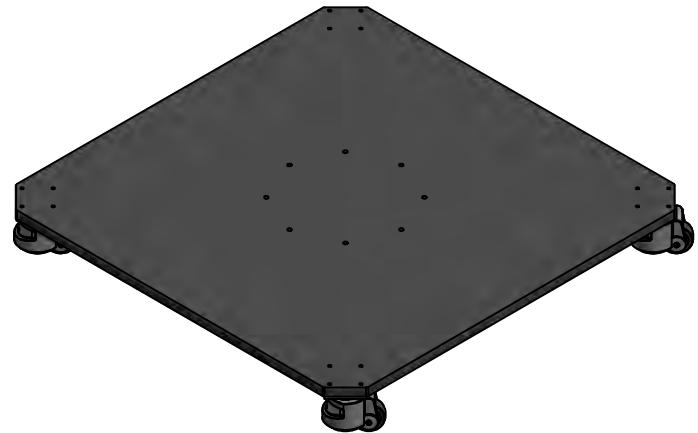
FX900032 - ADJUSTABLE PEDESTAL MOUNT

WEIGHT = 1115 LBS



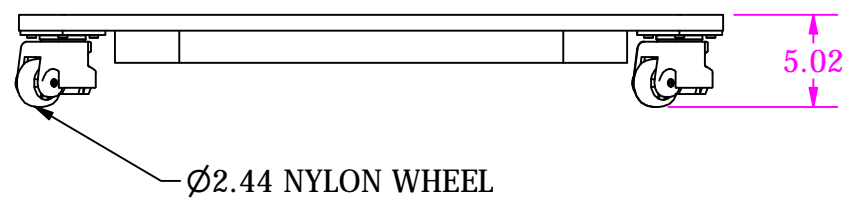
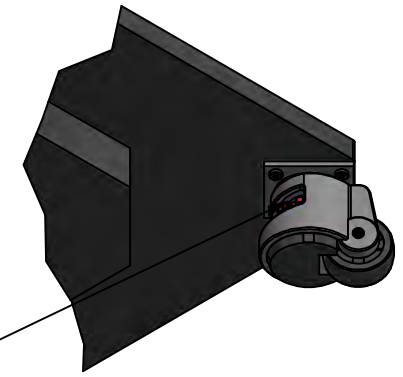
LEVELING SWIVEL CASTERS

<i>Date:</i> 2/24/2021	<i>Tolerance:</i> .00.....-.010 DECIMAL: .000.....-.005 .0000.....-.0005	<i>Drawn By:</i> crieman	<i>Option No.:</i>
<i>Name:</i> CASTER COUNTER BALANCE BASE			
<i>Material Specs:</i>			<i>Sheet:</i> 1 OF 2
		<i>Part No.:</i> FX900031	



Ø14.00 FOR ADJUSTABLE
PEDESTAL PN:FX900032

WHEEL USED TO LOWER AND
RAISE LEVELING PAD



<i>Date:</i> 2/24/2021	<i>Tolerance:</i> .00.....-.010 DECIMAL: .000.....-.005 .0000.....-.0005	<i>Drawn By:</i> crieman	<i>Option No.:</i>
---------------------------	---	-----------------------------	--------------------

<i>Name:</i> CASTER COUNTER BALANCE BASE			
---	--	--	--

<i>Material Specs:</i>	<i>Sheet:</i> 2 OF 2
------------------------	-------------------------

Flex  arm Tapping & Assembly Arm Solutions	<i>Part No.:</i> FX900031
---	-------------------------------------