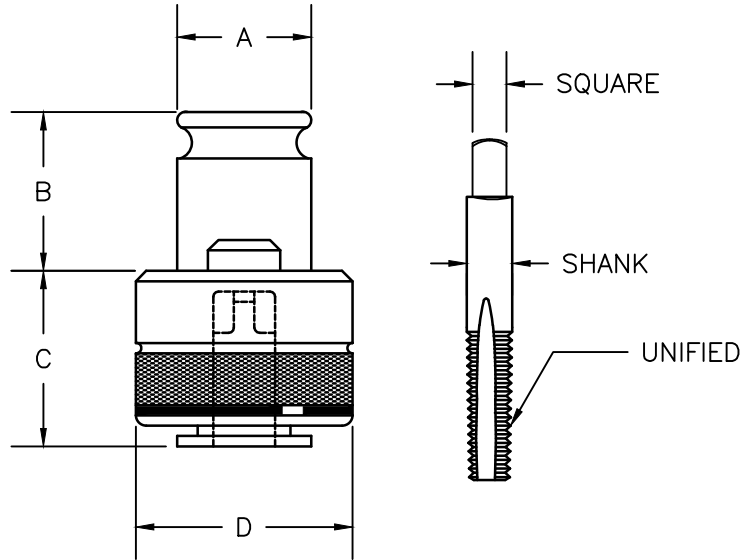


TAP HOLDERS WITH ADJUSTABLE CLUTCH

PROVIDES QUICK
RELEASE OF TAP



ALLOWS BLIND
HOLE TAPPING

HOLDER SIZE	A	B	C	D
SIZE 1	.75	.85	.98	1.26
SIZE 2	1.22	1.38	1.34	1.97
SIZE 3	1.89	2.19	1.77	2.83
SIZE 4	2.36	2.50	2.79	3.72

SIZE 1 TAP HOLDERS WITH ADJUSTABLE CLUTCH

UNIFIED	METRIC	SHANK DIA	SQUARE DIA	PART NO
0-6	M1.6-M3.5	.141	.110	16889B
8	M4	.168	.131	16890B
10	M4.5-M5	.194	.152	16891B
12		.220	.165	16892B
1/4	M6-M6.3	.255	.191	16893B
5/16	M7-M8	.318	.238	16894B
3/8	M10	.381	.286	16895B
7/16	M11	.323	.242	16896B
1/2	M12-M12.5	.367	.275	16897B
9/16	M14	.429	.322	16898B
5/8	M16	.480	.360	16899B
1/16 OR 1/8 NPT SMALL SHANK		.3125	.234	164622B
1/8 NPT LARGE SHANK		.4375	.328	162710B

DIN, JIS, HELICOIL AND ISO STANDARDS ALSO AVAILABLE

SIZE 2 TAP HOLDERS WITH ADJUSTABLE CLUTCH

UNIFIED	METRIC	SHANK DIA	SQUARE DIA	PART NO
5/16	M7-M8	.318	.238	26894B
3/8	M10	.381	.286	26895B
7/16	M11	.323	.242	26896B
1/2	M12-M12.5	.367	.275	26897B
9/16	M14	.429	.322	26898B
5/8	M16	.480	.360	26899B
11/16	M18	.542	.406	26900B
3/4		.590	.442	26901B
13/16	M20	.652	.489	26902B
7/8	M22	.697	.523	26903B
1/4 NPT		.5625	.421	268623RB
3/8 NPT		.700	.531	268624RB
1/2 NPT		.6875	.515	268625RB

1

SIZE 3 TAP HOLDERS WITH ADJUSTABLE CLUTCH

UNIFIED	METRIC	SHANK DIA	SQUARE DIA	PART NO
9/16	M14	.429	.322	36898B
5/8	M16	.480	.360	36899B
11/16	M18	.542	.406	36900B
3/4		.590	.442	36901B
13/16	M20	.652	.489	36902B
7/8	M22	.697	.523	36903B
15/16	M24	.760	.570	36904B
1	M25	.800	.600	36905B
1-1/16, 1-1/8	M27	.896	.672	36907B
1-3/16, 1-1/4	M30	1.021	.766	36909B
1-5/16, 1-3/8	M33	1.108	.831	36911B
3/8 NPT		.700	.531	368624RB
1/2 NPT		.6875	.515	368625RB
3/4 NPT		.9063	.679	368626RB
1 NPT		1.1250	.843	368627RB

1

SIZE 4 TAP HOLDERS WITH ADJUSTABLE CLUTCH

UNIFIED	METRIC	SHANK DIA	SQUARE DIA	PART NO
1-1/2	M36	1.233	.925	46912RB
1-5/8	M39	1.305	.979	46913RB
1-3/4	M42	1.430	1.072	46914RB
1-7/8		1.519	1.139	46915RB
2	M48	1.644	1.233	46916RB
1-1/4 NPT		1.312	.984	468628RB
1-1/2 NPT		1.500	1.125	468629RB

DIN, JIS, HELICOIL AND ISO STANDARDS ALSO AVAILABLE