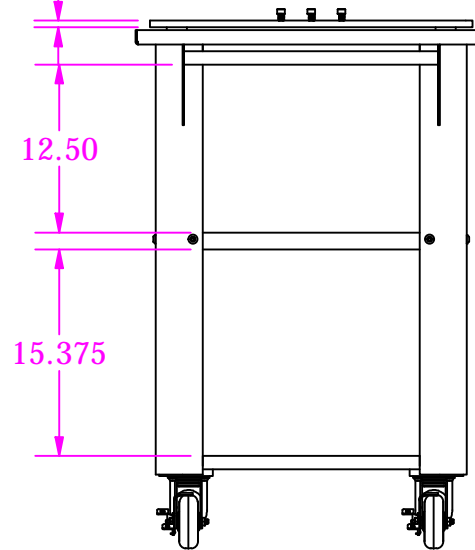
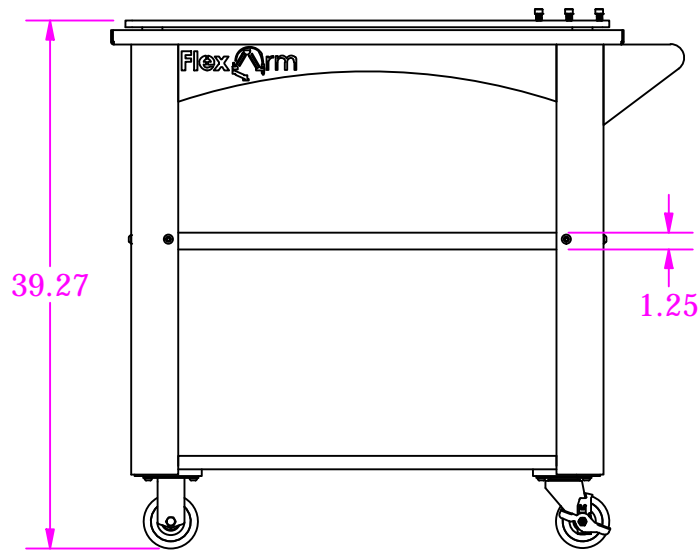
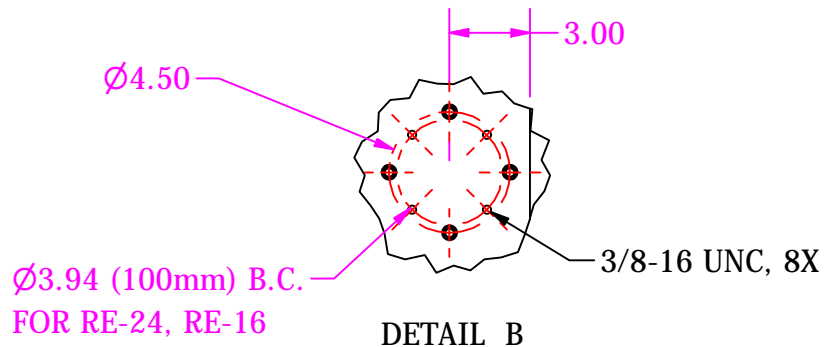


.625 BLANCHARD GROUND TOP



1000# CAPACITY



<i>Date:</i> 3/24/2021	<i>Tolerance:</i> .00.....-.010 DECIMAL: .000.....-.005 .0000.....-.0005	<i>Drawn By:</i> crieman	<i>Option No.:</i> FX900024-E
<i>Name:</i> ELECTRIC ARM CART			
<i>Material Specs:</i>			
		<i>Part No.:</i> FX900024-E	