

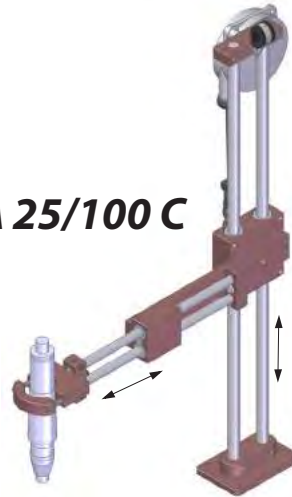
Traveling arms

BA...C Series

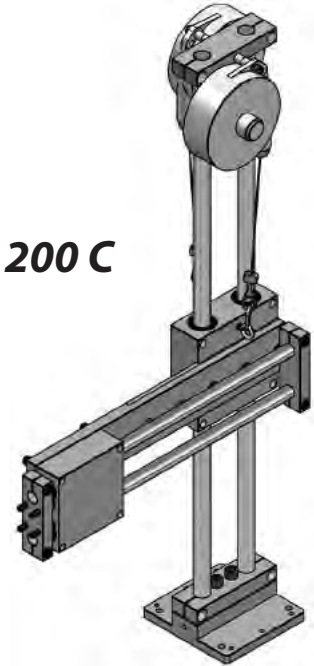


BA...C Series: Designed to be mounted on a horizontal rail.
Making it ideal for tightening operations over large surfaces.

BA 25/100 C



BA 200 C

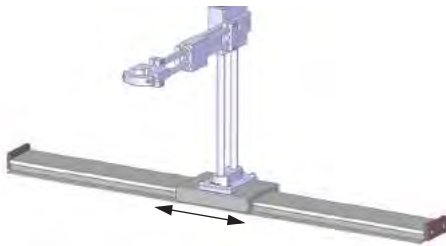


Model	3D Drawing	Max torque		Tool Ø (in)		Stroke (in)		Max tool load		Code
		mm	(lbf-ft)	mm	(in)	mm	(in)	kg	(lbs)	
BA 25 C	F	25	18.4	28-52	(1.1-2.1)	250	(9.8)	2.2	(4.9)	4-5200722
BA 100 C**		100*	74*	28-52	(1.1-2.1)	325	(12.8)	3	(6.6)	4-5200433
BA 200 C		200	148	not included	not included	350	(13.8)	8	(17.6)	4-5200723

Delivered without horizontal rail.

* Max torque is 50 Nm (37 lbf-ft) if the arm is mounted on horizontal rail.

** Compatible accessories: extended slides, double slides, auto rest position, quick change clamps (see pages 5 and 6).



Rails BA25/BA100C

Model	Length		Stroke		Code
	mm	(in)	mm	(in)	
Guiding rail	600	(23.6)	420	(46.5)	4-5200294
Guiding rail	1000	(39.4)	820	(32.2)	4-5200295
Guiding rail	1500	(59.1)	1320	(52)	4-5200296
Guiding rail	2000	(78.7)	1820	(71.7)	4-5200297

Longer lengths available on request.

Rails for BA100C available on request.

Inverse mounting kit

For	Code
BA 25 C	4-5200811
BA 100 C	Standard

Downward assistance kit

Model	Length		Stroke		Type	Code
	mm	(in)	mm	(in)		
EP 25P	9	(19.8)	160	(6.3)	Pneumatic	4-5200452
EP 25E	9	(19.8)	160	(6.3)	Electric	4-5200454
EP 100P	9	(19.8)	200	(7.9)	Pneumatic	4-5200453
EP 100E	9	(19.8)	200	(7.9)	Electric	4-5200455

Safety kit

For	Code
BA 25 C	4-5200390
BA 100 C	4-5200391

