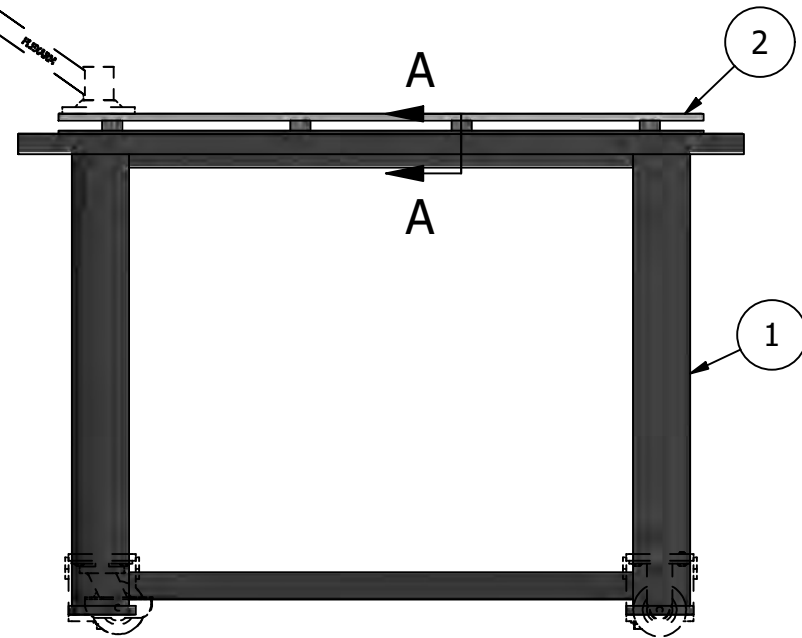


SECTION A-A



<i>Date:</i> 9/25/2020	<i>Tolerance:</i> .00.....±.010 DECIMAL: .000.....±.005 .0000.....±.0005	<i>Drawn By:</i> cyler	<i>Option No.:</i> 658763
---------------------------	---	---------------------------	------------------------------

*Name:*  
COLLANT TABLE W/ TAPPED TOP

*Material Specs:*

*Sheet:*  
1 of 1

**FlexArm™**  
Tapping & Assembly  
Arm Solutions

*Part No.:*  
**658763**

PARTS LIST

ITEM	QTY	PART NUMBER	DESCRIPTION
1	1	226223	COOLANT TABLE W/ TAPPED HOLES
2	1	226225	COOLANT TABLE TAPPED TOP
3	16	226226	1.5" OD, .563" ID STANDOFF
4	16	226227	1/2-13 LP SHCS X 1.5" LG.