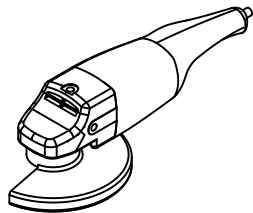
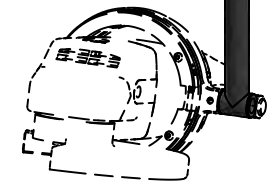
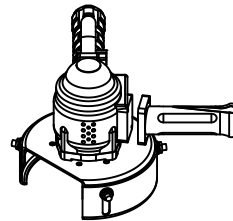


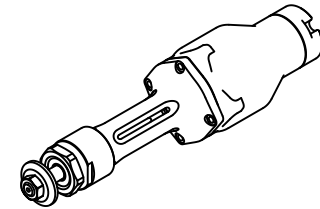
- COUNTERBALANCE UP TO 25 LB TOOL AT 105 PSI
- PROVIDES COMPLETE FREEDOM OF MOTION
- TYPICAL USES INCLUDE COUNTERBALANCING:



ANGLE GRINDERS



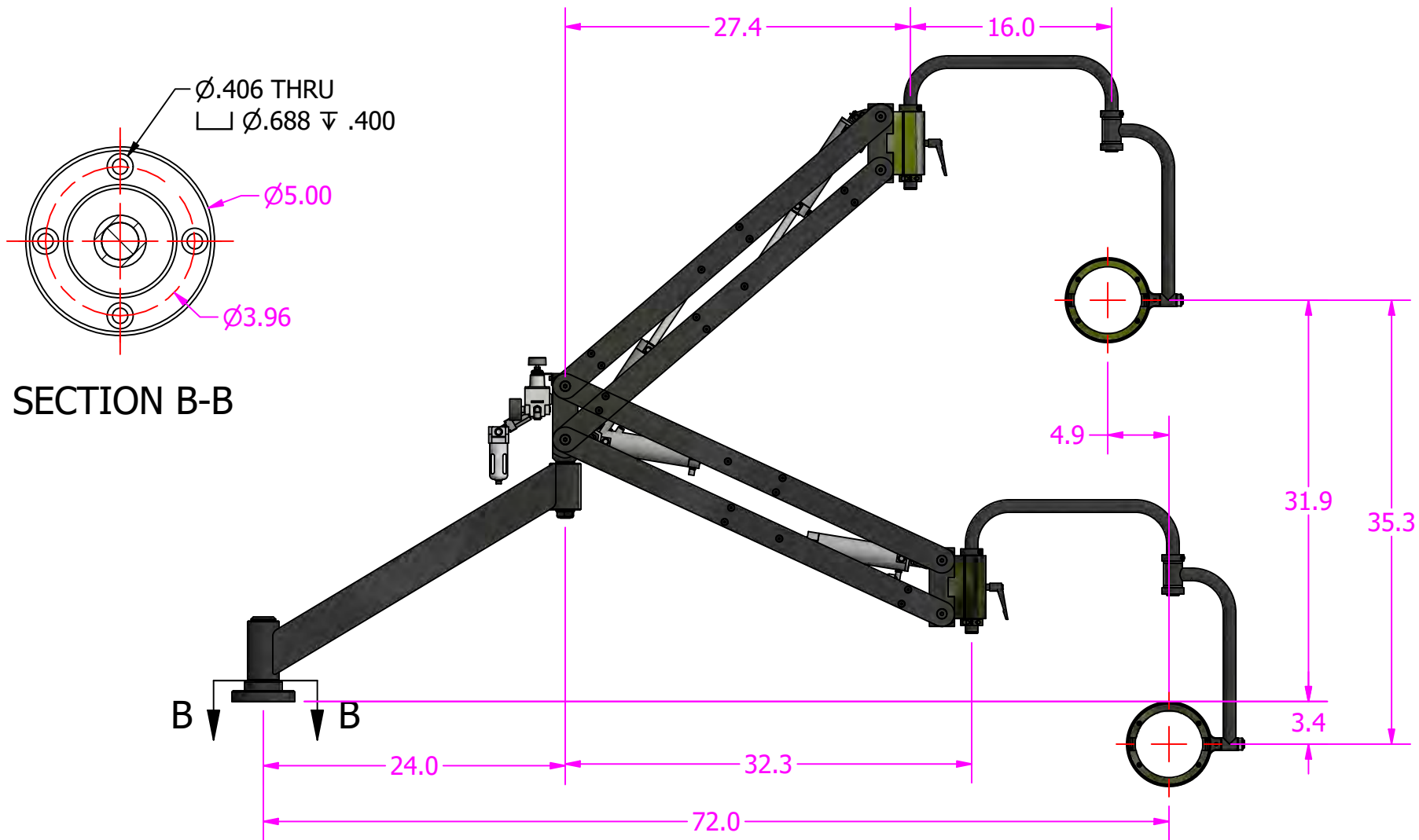
VERTICAL GRINDERS




HORIZONTAL GRINDERS

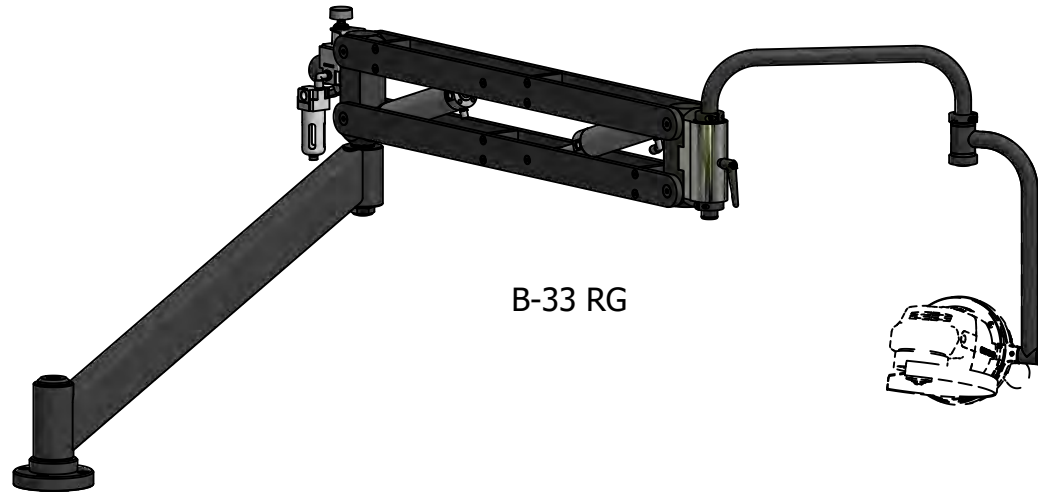
NOTES:  
 - MAX TOOL WEIGHT = 25 LBS @ 105 PSI

<i>Date:</i> 7/21/2020	<i>Tolerance:</i> .00.....±.010 DECIMAL: .000.....±.005 .0000.....±.0005	<i>Drawn By:</i> crieman	<i>Option No.:</i>
<i>Name:</i> B-33 FOR ROTATIONAL GIMBAL			
<i>Material Specs:</i>			<i>Sheet:</i> 1 OF 3
		<i>Part No.:</i> B-33 RG	



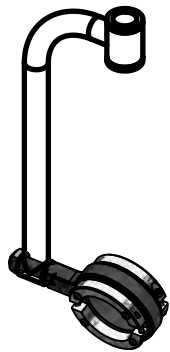
SECTION B-B

<i>Date:</i> 7/21/2020	<i>Tolerance:</i> .00.....±.010 DECIMAL: .000.....±.005 .0000.....±.0005	<i>Drawn By:</i> crieman	<i>Option No.:</i>
<i>Name:</i> B-33 FOR ROTATIONAL GIMBAL			
<i>Material Specs:</i>			<i>Sheet:</i> 2 OF 3
			<i>Part No.:</i> B-33 RG



B-33 RG

PN# 101400



FITS TOOLS WITH  
TOOL BODY BETWEEN  
Ø0"-2.625"

PN# 101100



FITS TOOLS WITH  
TOOL BODY BETWEEN  
Ø2.625"-3.375"

PN# 101200



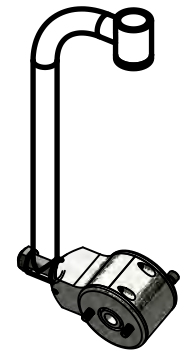
FITS TOOLS WITH  
TOOL BODY BETWEEN  
Ø3.375"-4.625"

PN# 101300




FITS TOOLS WITH  
TOOL BODY BETWEEN  
Ø4.625"-5.375"

PN# 101500



FITS MOST  
VERTICAL GRINDERS

- CLAMP PLATES FOR EACH ROTATIONAL GIMBAL SIZE ARE MADE SPECIFIC TO THE TOOL BODY PROFILE FOR A SECURE HOLD
- ROTATIONAL SLEEVE ON PN# 101500 MADE SPECIFIC TO EACH TOOL

<i>Date:</i> 7/21/2020	<i>Tolerance:</i> .00.....±.010 DECIMAL: .000.....±.005 .0000.....±.0005	<i>Drawn By:</i> crieman	<i>Option No.:</i>
<i>Name:</i> B-33 FOR ROTATIONAL GIMBAL			
<i>Material Specs:</i>			<i>Sheet:</i> 3 OF 3
			<i>Part No.:</i> B-33 RG