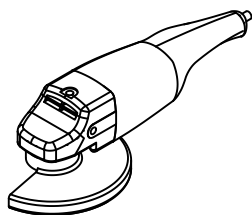
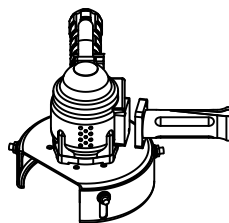


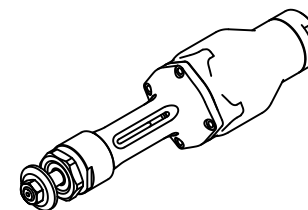
- COUNTERBALANCE UP TO 25 LB TOOL AT 120 PSI
- PROVIDES COMPLETE FREEDOM OF MOTION
- TYPICAL USES INCLUDE COUNTERBALANCEING:



ANGLE GRINDERS

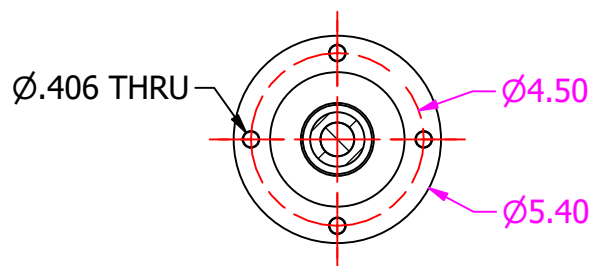
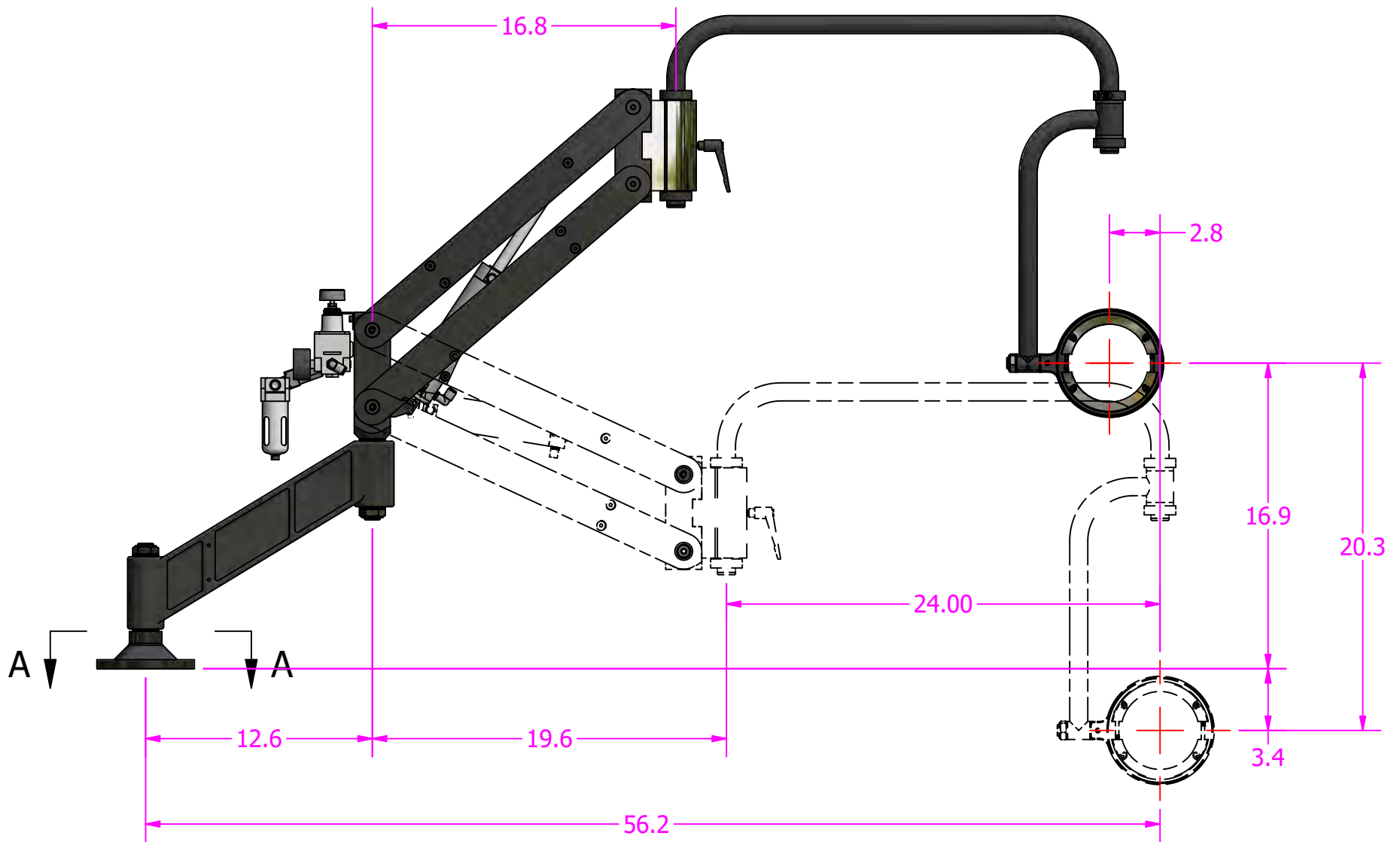


VERTICAL GRINDERS



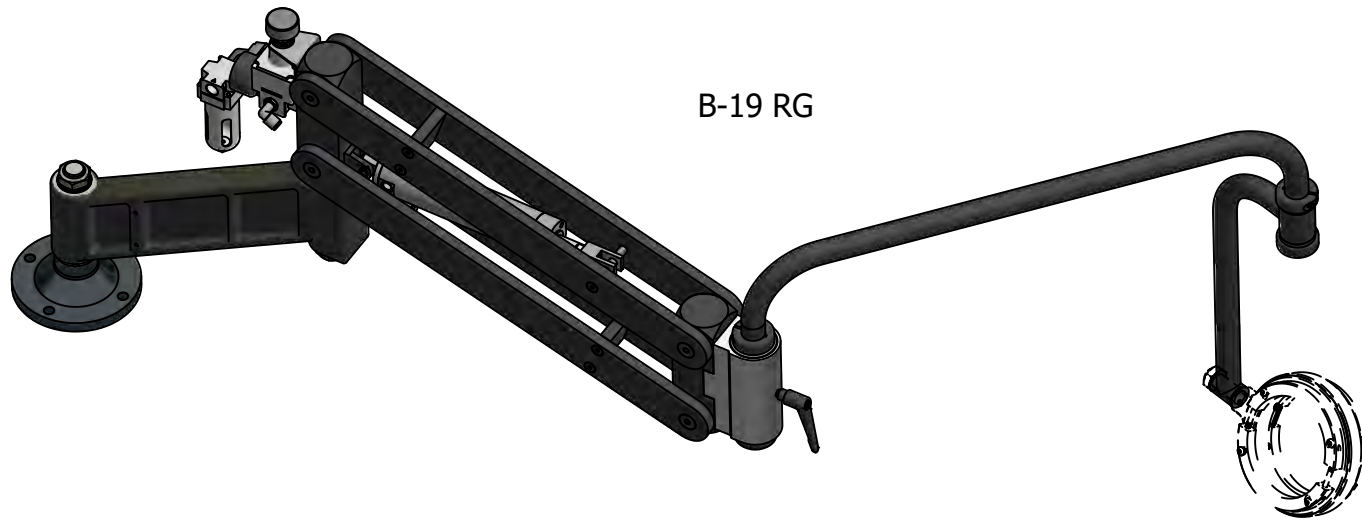
HORIZONTAL GRINDERS

| | | | |
|--|---|-----------------------------|-------------------------|
| <i>Date:</i> 6/26/2018 | <i>Tolerance:</i> .00.....±.010 DECIMAL: .000.....±.005 .0000.....±.0005 | <i>Drawn By:</i> Drew | <i>Option No.:</i> |
| <i>Name:</i> B-19 FOR ROTATIONAL GIMBAL | | | |
| <i>Material Specs:</i> | | | <i>Sheet:</i> 1 OF 3 |
| | | <i>Part No.:</i> B-19 RG | |



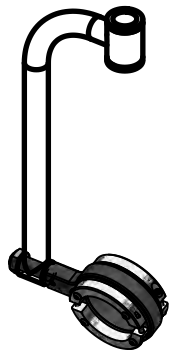
SECTION A-A

| | | | |
|--|---|--------------------------|-----------------------------|
| <i>Date:</i> 6/26/2018 | <i>Tolerance:</i> .00.....±.010 DECIMAL: .000.....±.005 .0000.....±.0005 | <i>Drawn By:</i> Drew | <i>Option No.:</i> |
| <i>Name:</i> B-19 FOR ROTATIONAL GIMBAL | | | |
| <i>Material Specs:</i> | | | <i>Sheet:</i> 2 OF 3 |
| | | | <i>Part No.:</i> B-19 RG |



B-19 RG

PN# 101400



FITS TOOLS WITH
TOOL BODY BETWEEN
Ø0"-2.625"

PN# 101100



FITS TOOLS WITH
TOOL BODY BETWEEN
Ø2.625"-3.375"

PN# 101200



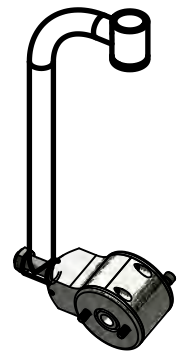
FITS TOOLS WITH
TOOL BODY BETWEEN
Ø3.375"-4.625"

PN# 101300




FITS TOOLS WITH
TOOL BODY BETWEEN
Ø4.625"-5.375"

PN# 101500



FITS MOST
VERTICAL GRINDERS

- CLAMP PLATES FOR EACH ROTATIONAL GIMBAL SIZE ARE MADE SPECIFIC TO THE TOOL BODY PROFILE FOR A SECURE HOLD
- ROTATIONAL SLEEVE ON PN# 101500 MADE SPECIFIC TO EACH TOOL

| | | | |
|---|---|--------------------------|-----------------------------|
| <i>Date:</i> 6/26/2018 | <i>Tolerance:</i> .00.....±.010 DECIMAL: .000.....±.005 .0000.....±.0005 | <i>Drawn By:</i> Drew | <i>Option No.:</i> |
| <i>Name:</i> B-19 FOR ROTATIONAL GIMBAL | | | |
| <i>Material Specs:</i> | | | <i>Sheet:</i> 3 OF 3 |
|  | | | <i>Part No.:</i> B-19 RG |