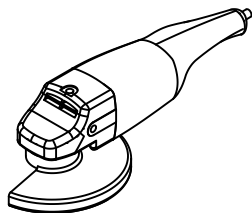
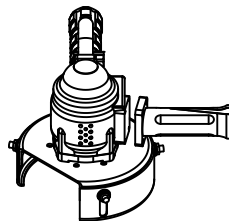




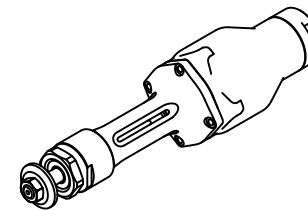
- COUNTERBALANCE UP TO 25 LB TOOL AT 120 PSI
- PROVIDES COMPLETE FREEDOM OF MOTION
- TYPICAL USES INCLUDE COUNTERBALANCEING:



ANGLE GRINDERS

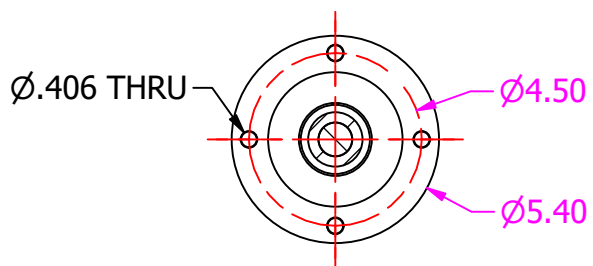
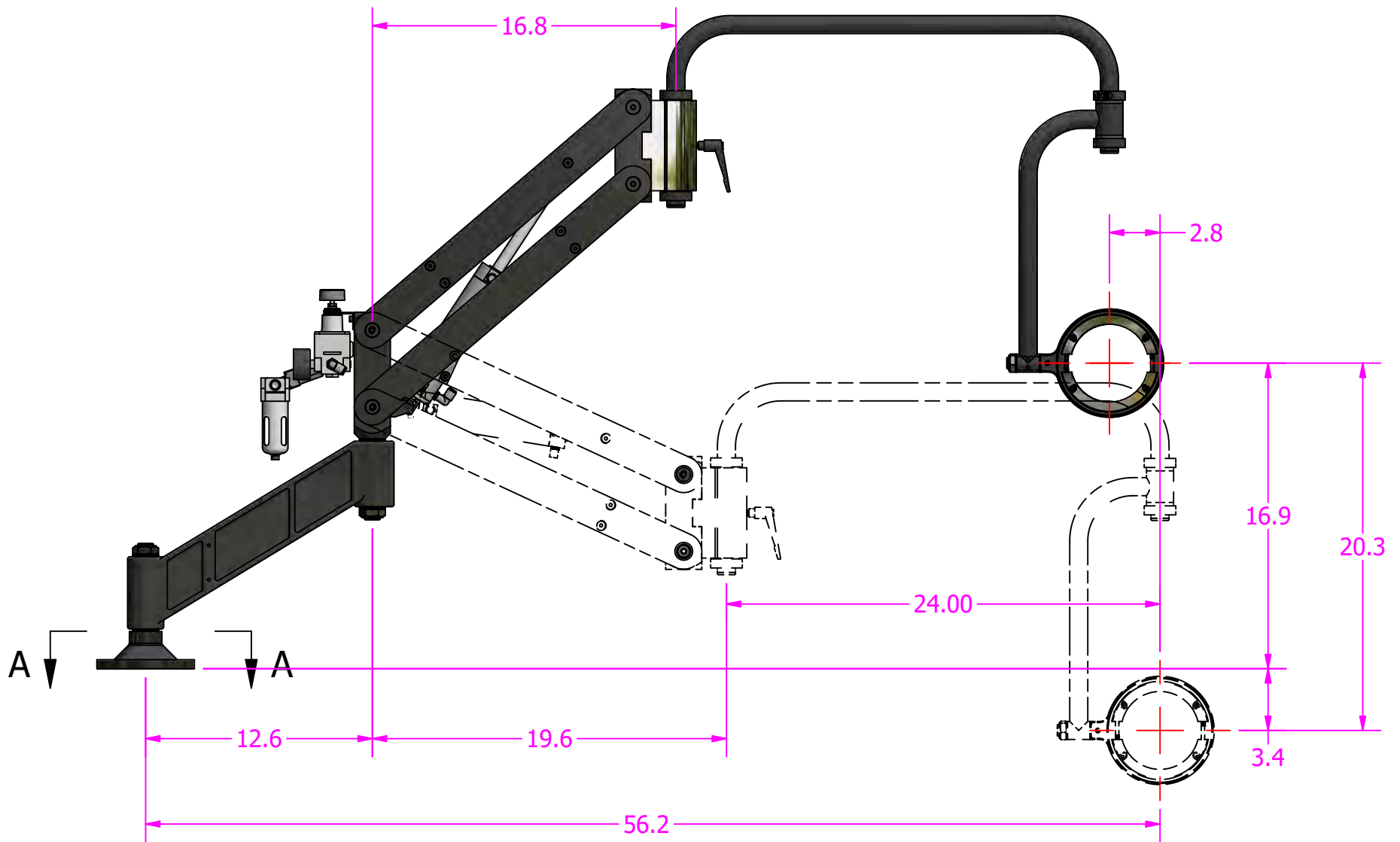


VERTICAL GRINDERS



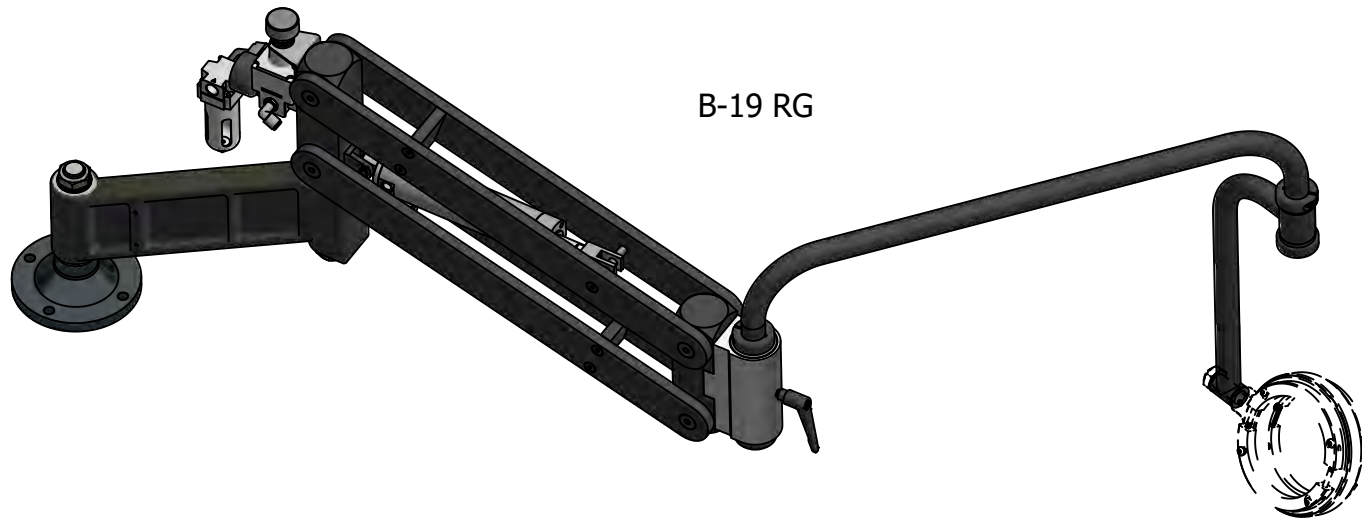
HORIZONTAL GRINDERS

|  |   |                             |                         |
|--|---|-----------------------------|-------------------------|
| <i>Date:</i><br>6/26/2018                  | <i>Tolerance:</i><br>.00.....±.010<br>DECIMAL: .000.....±.005<br>.0000.....±.0005 | <i>Drawn By:</i><br>Drew    | <i>Option No.:</i>      |
| <i>Name:</i><br>B-19 FOR ROTATIONAL GIMBAL |   |                             |                         |
| <i>Material Specs:</i>                     |   |                             | <i>Sheet:</i><br>1 OF 3 |
|  |   | <i>Part No.:</i><br>B-19 RG |                         |



SECTION A-A

|  |   |                             |                         |
|--|---|-----------------------------|-------------------------|
| <i>Date:</i><br>6/26/2018                  | <i>Tolerance:</i><br>.00.....±.010<br>DECIMAL: .000.....±.005<br>.0000.....±.0005 | <i>Drawn By:</i><br>Drew    | <i>Option No.:</i>      |
| <i>Name:</i><br>B-19 FOR ROTATIONAL GIMBAL |   |                             |                         |
| <i>Material Specs:</i>                     |   |                             | <i>Sheet:</i><br>2 OF 3 |
|  |   | <i>Part No.:</i><br>B-19 RG |                         |



B-19 RG

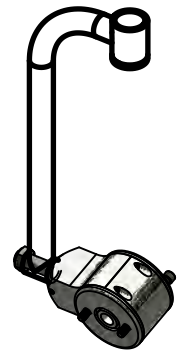
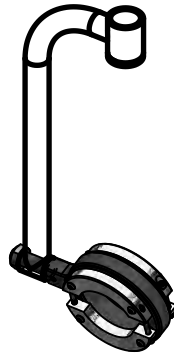
PN# 101400

PN# 101100

PN# 101200

PN# 101300

PN# 101500



FITS TOOLS WITH  
TOOL BODY BETWEEN  
Ø0"-2.625"

FITS TOOLS WITH  
TOOL BODY BETWEEN  
Ø2.625"-3.375"

FITS TOOLS WITH  
TOOL BODY BETWEEN  
Ø3.375"-4.625"

FITS TOOLS WITH  
TOOL BODY BETWEEN  
Ø4.625"-5.375"

FITS MOST  
VERTICAL GRINDERS

- CLAMP PLATES FOR EACH ROTATIONAL GIMBAL SIZE ARE MADE SPECIFIC TO THE TOOL BODY PROFILE FOR A SECURE HOLD
- ROTATIONAL SLEEVE ON PN# 101500 MADE SPECIFIC TO EACH TOOL

|  |   |                          |                             |
|--|---|--------------------------|-----------------------------|
| <i>Date:</i><br>6/26/2018                  | <i>Tolerance:</i><br>.00.....±.010<br>DECIMAL: .000.....±.005<br>.0000.....±.0005 | <i>Drawn By:</i><br>Drew | <i>Option No.:</i>          |
| <i>Name:</i><br>B-19 FOR ROTATIONAL GIMBAL |   |                          |                             |
| <i>Material Specs:</i>                     |   |                          | <i>Sheet:</i><br>3 OF 3     |
|  |   |                          | <i>Part No.:</i><br>B-19 RG |