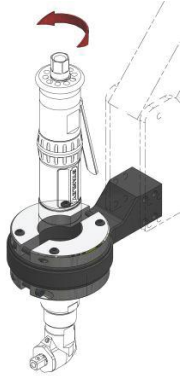


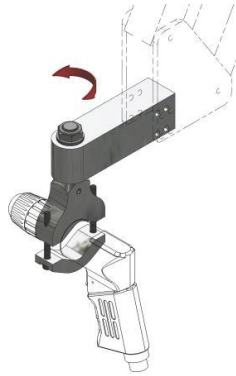
M-60 SERIES



VERTICAL ROTATION CLAMP
P/N: 658582

For use with Right Angle Nut Runners when fastening orientation requirement is horizontal only.

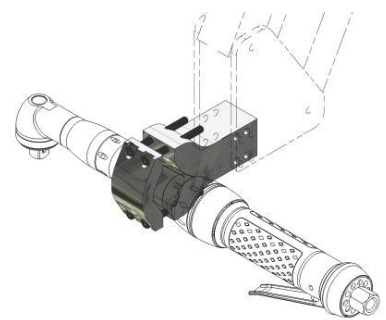
**Clamp is tool specific. Make and model of tool must be supplied with order.
**Max tool diameter is 2.37"



PISTOL GRIP V-BLOCK
P/N: 658581

For use with Pistol Grip Tools when fastening orientation requirement is horizontal only.

V-block fits tool $\varnothing 1" - 2.25"$



HORIZONTAL V-BLOCK
P/N: 658532

For use with Right Angle Nut Runners when fastening orientation requirement is vertical only.

V-block fits tool $\varnothing 1" - 2.25"$

MULTI-HEAD TOOL HOLDER
P/N:900245
For M-60

- The M-60 Series comes with a standard tool holder.
- Custom tool holder options available

Model	M-60
Max Torque	80 ft/lbs
Weight Range	1-16 lbs
Working Range	22"-76"
Tool Clamp	1"-2.25"



M-60