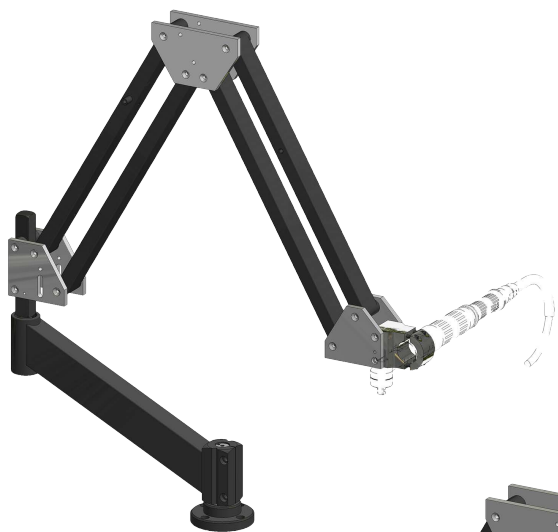


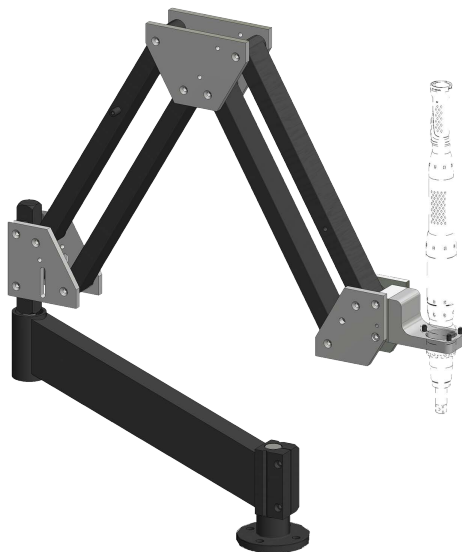
G-SERIES



G-30



G-60



G-36

Model	G-30	G-36	G-60
Max Torque	150 ft/lbs	400 ft/lbs	800 ft/lbs
Weight Range	5-15 (*15-50 max)	5-45 (*46-75 max)	15-65
Working Range	17"-73"	20"-78"	20"-84"

-Custom design tool holder is required with the G-Series

*G30-0105

*G45-1000

*G60 Max Cylinders