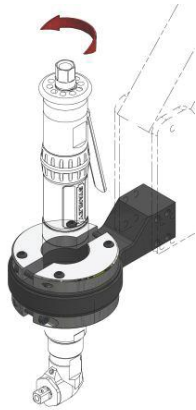


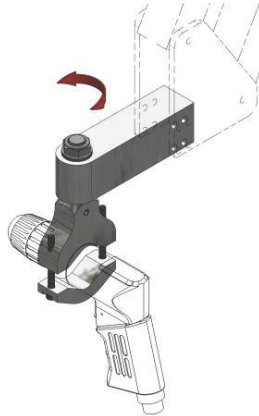
## S-36



**VERTICAL ROTATION CLAMP**  
P/N: 658582

For use with Right Angle Nut Runners when fastening orientation requirement is horizontal only.

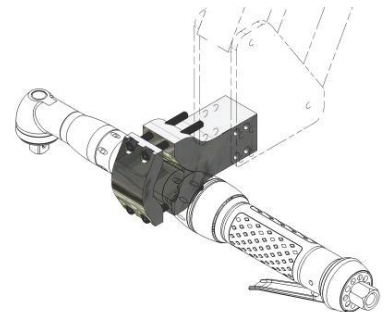
\*\*Clamp is tool specific. Make and model of tool must be supplied with order.  
\*\*Max tool diameter is 2.37"



**PISTOL GRIP V-BLOCK**  
P/N: 658581

For use with Pistol Grip Tools when fastening orientation requirement is horizontal only.

V-block fits tool  $\varnothing 1" - 2.25"$



**HORIZONTAL V-BLOCK**  
P/N: 658532

For use with Right Angle Nut Runners when fastening orientation requirement is vertical only.

V-block fits tool  $\varnothing 1" - 2.25"$

**MULTI-HEAD TOOL HOLDER**  
P/N:900245  
For S-36

- The S-36 Series comes with a standard tool holder.
- Custom tool holder options available

Model	S-36
Max Torque	80 ft/lbs
Weight Range	1-14 lbs. (*15-35 max)
Working Range	14"-51"
Tool Clamp	1"-2.25"

\*S-36 Max Cylinders

