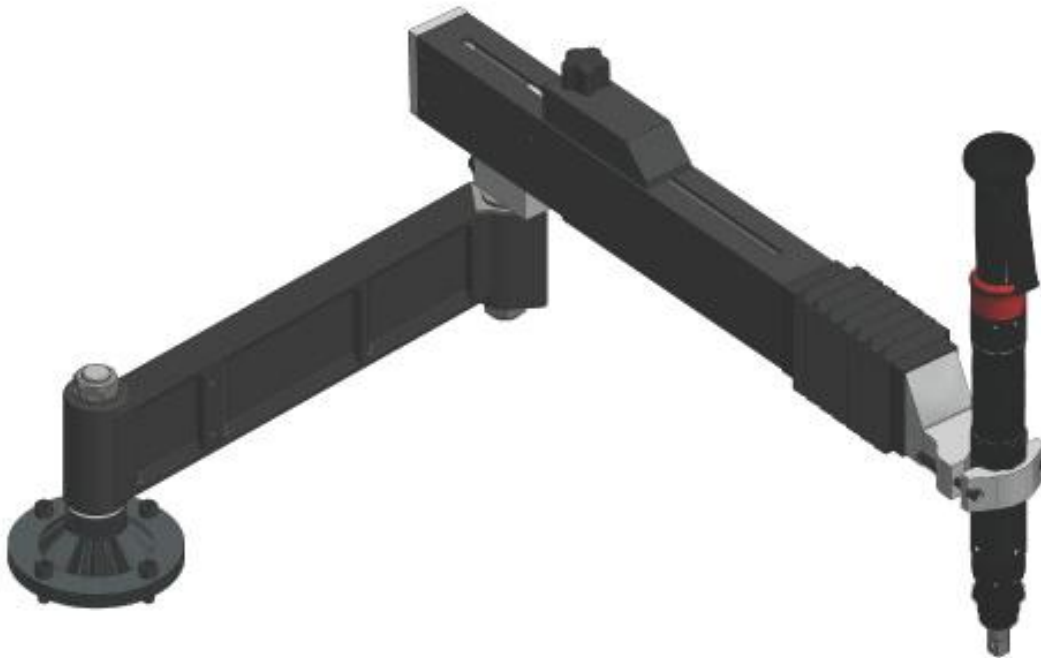


A-32



Model	A-32
Max Torque	50 ft/lbs
Weight Range	1-12 lbs
Working Range	11"-34"
Tool Clamp	1"-2.25"

- The A-32 Series comes with a standard tool holder.
- Custom tool holder options available