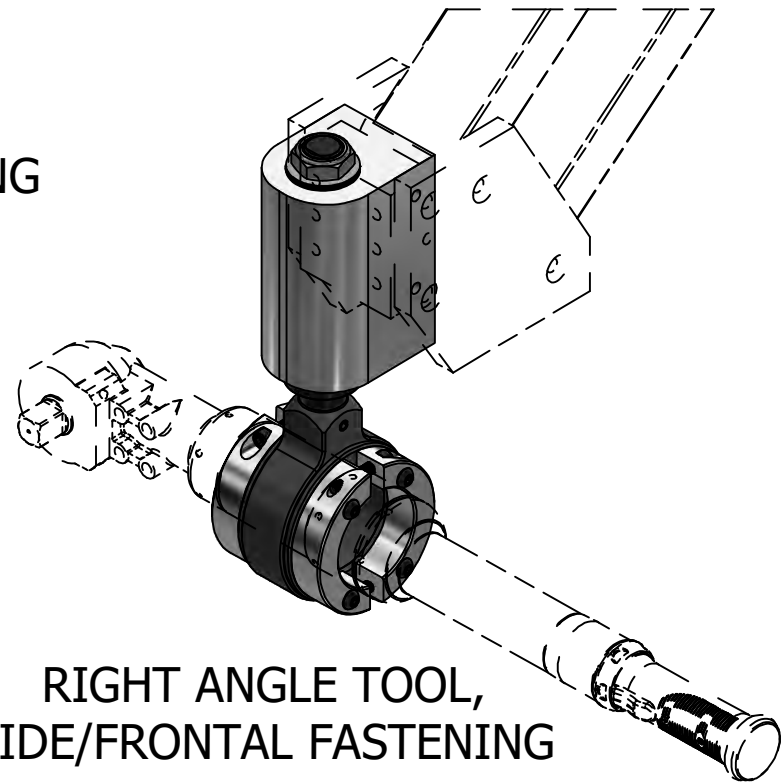
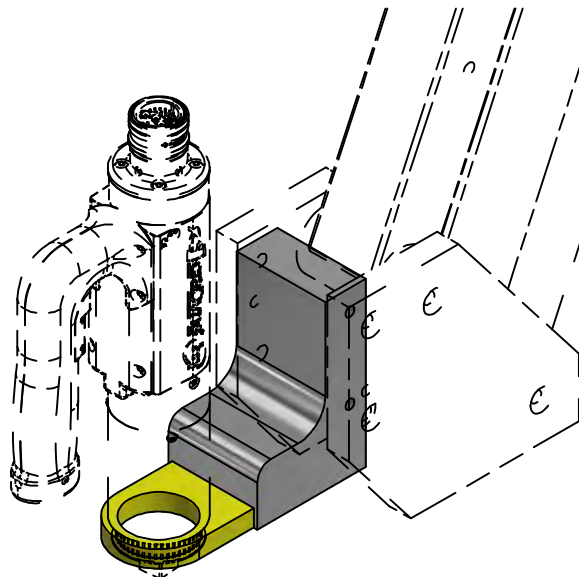



PISTOL-GRIP TOOL,
SIDE/FRONTAL FASTENING



RIGHT ANGLE TOOL,
SIDE/FRONTAL FASTENING

INLINE TOOL,
VERTICAL-DOWN
FASTENING



<i>Date:</i> 7/17/2020	<i>Tolerance:</i> .00.....±.010 DECIMAL: .000.....±.005 .0000.....±.0005	<i>Drawn By:</i> Cyler	<i>Option No.:</i>
<i>Name:</i> CUSTOM TOOL MOUNTS			
<i>Material Specs:</i>			<i>Sheet:</i> 1 OF 1
		<i>Part No.:</i>	