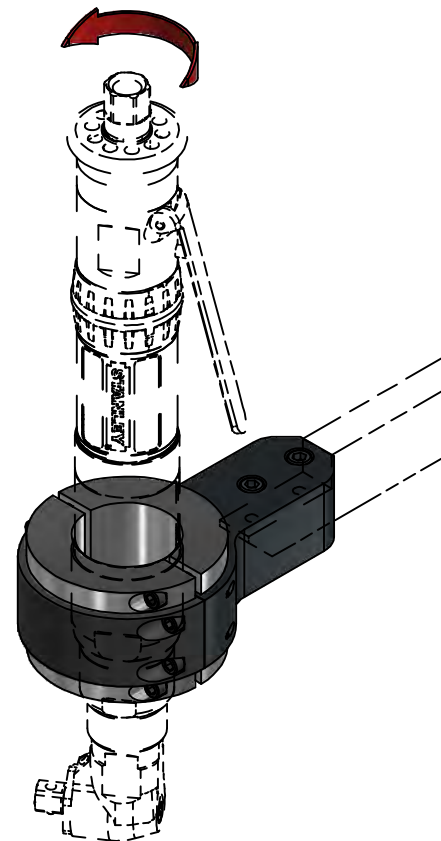
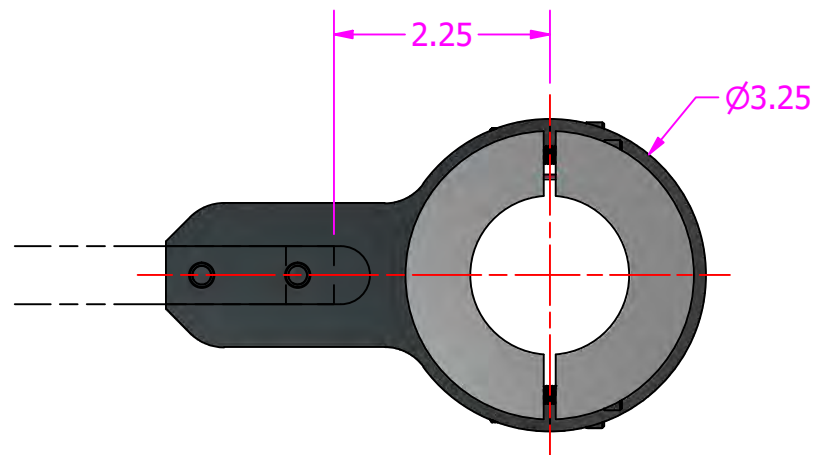
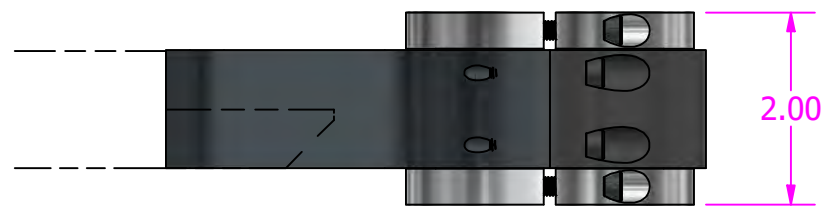
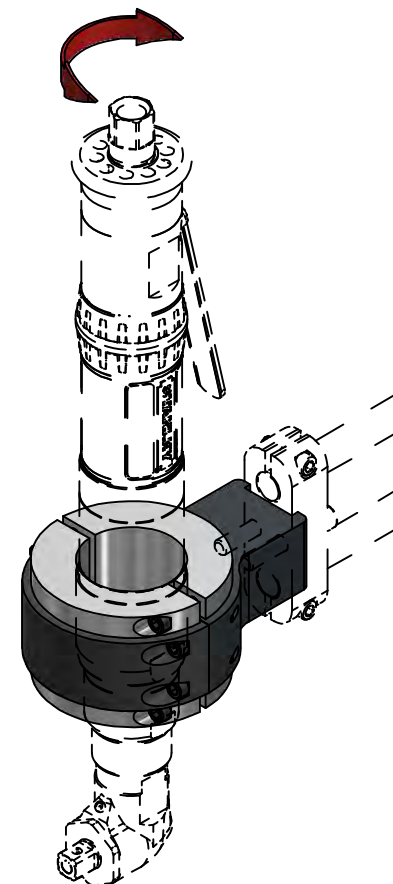
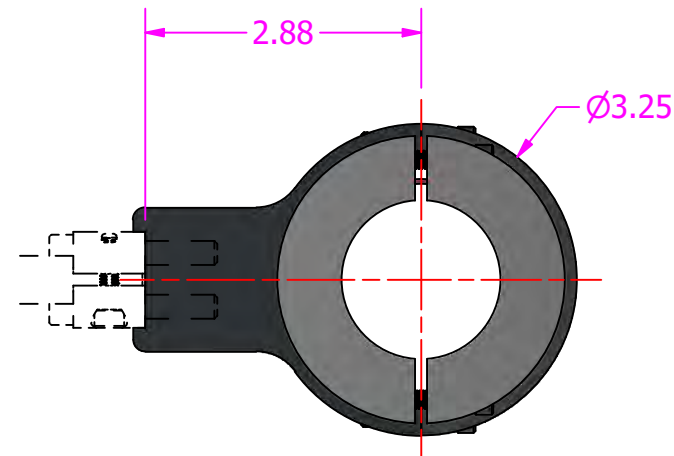
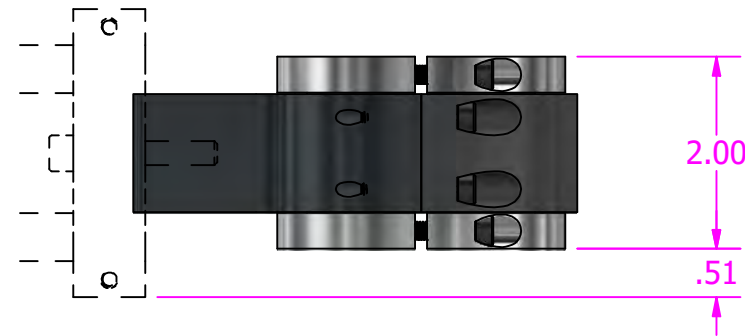


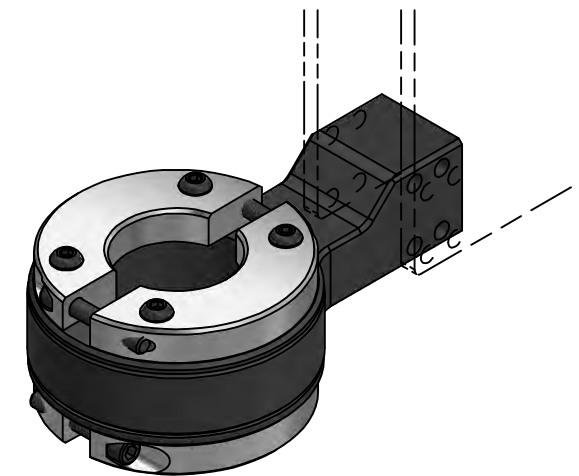
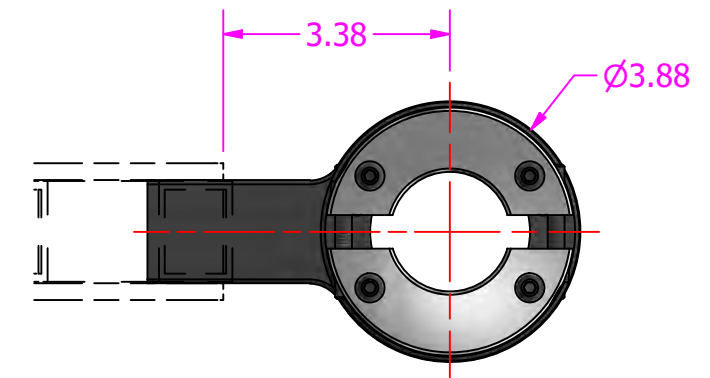
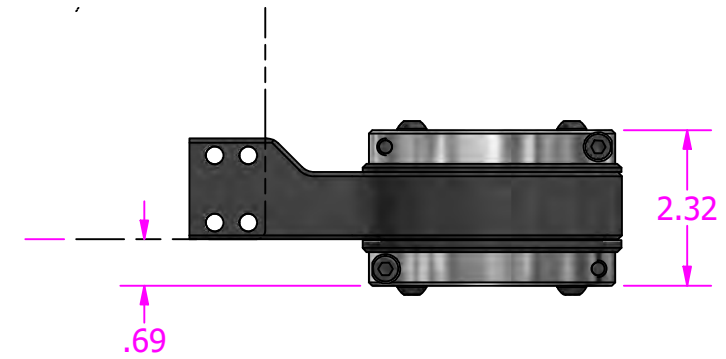
AR-40



LR-40



S-36 & M-60



- NOTES:
 -CLAMP PLATES ARE MADE SPECIFICALLY TO THE TOOL MODEL
 -CUSTOMER MUST SEND THE TOOL IN OR PROVIDE A 3D CAD FILE OR DIMENSIONAL DRAWING
 -MAX TOOL DIAMETER: 2.25"
 -SIDE/FRONTAL FASTENING

Date: 7/17/2020	Tolerance: .00.....±.010 DECIMAL: .000.....±.005 .0000.....±.0005	Drawn By: Cylar	Option No.:
Name: Vertical Rotation Clamp			Sheet: 1 OF 1
Material Specs:		Part No.:	