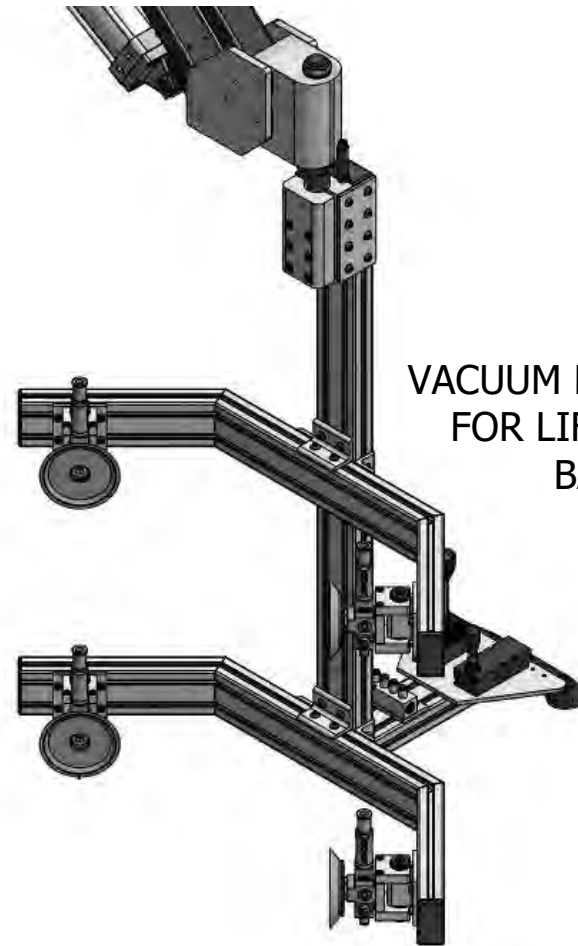
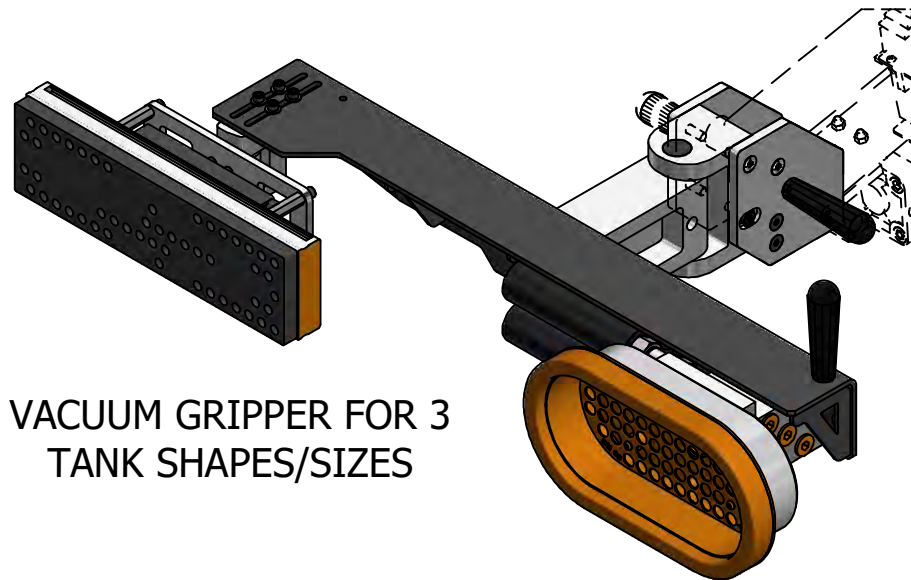



VACUUM END EFFECTOR  
FOR MACHINE LOADING  
WITH VERTICAL AND  
HORIZONTAL ROTATIONS



VACUUM END EFFECTOR  
FOR LIFTING 80 LB.  
BARRELS



VACUUM GRIPPER FOR 3  
TANK SHAPES/SIZES

<i>Date:</i> 7/17/2020	<i>Tolerance:</i> .00.....±.010 DECIMAL: .000.....±.005 .0000.....±.0005	<i>Drawn By:</i> Cyler	<i>Option No.:</i> PM
<i>Name:</i> PM CUSTOM VACUUM END EFFECTORS			
<i>Material Specs:</i>			<i>Sheet:</i> 1 OF 1
<b>Flex</b>  <b>arm</b> Tapping & Assembly Arm Solutions		<i>Part No.:</i> PM	