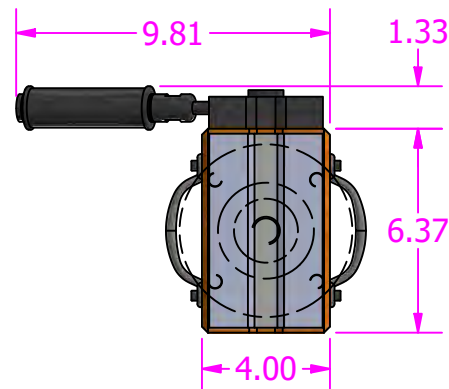

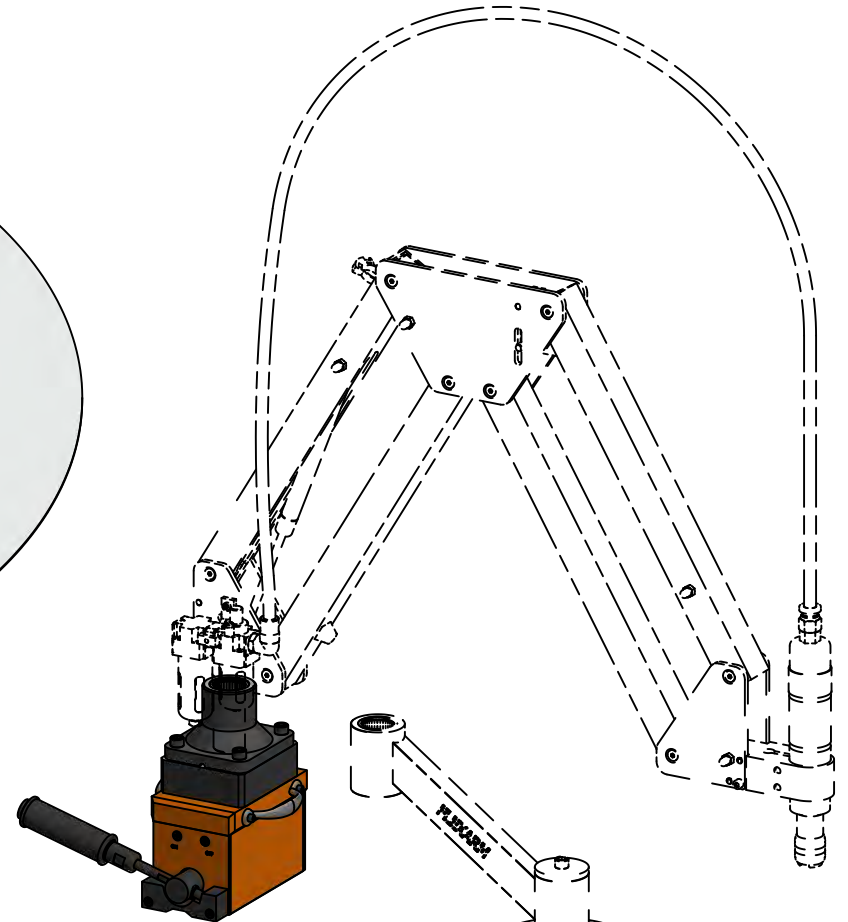
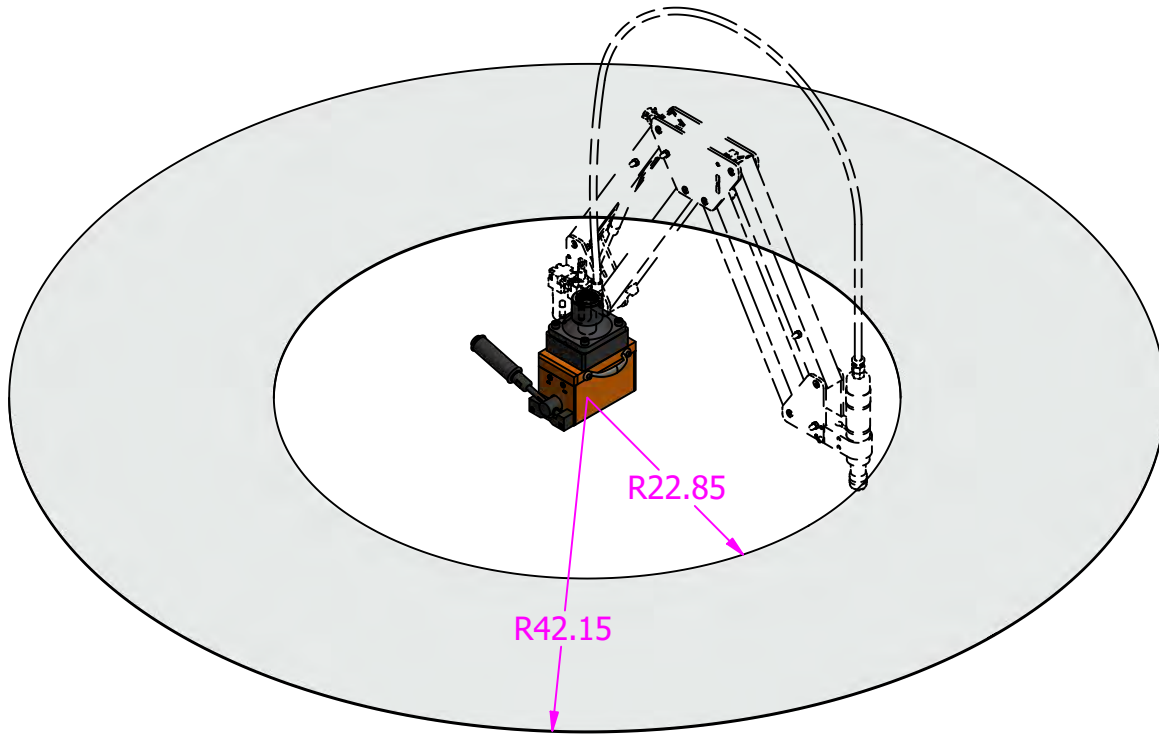


THE INCREASED HEIGHT OF THE ARM DUE TO THE MAGNETIC BASE MAY REQUIRE THE USE OF AN EXTENDED LENGTH TAP

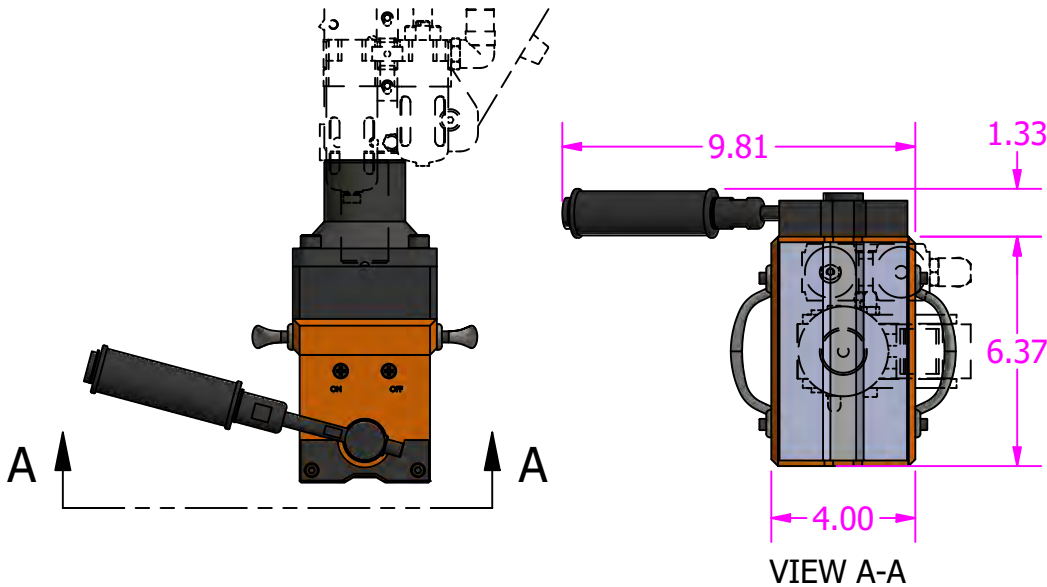



VIEW A-A

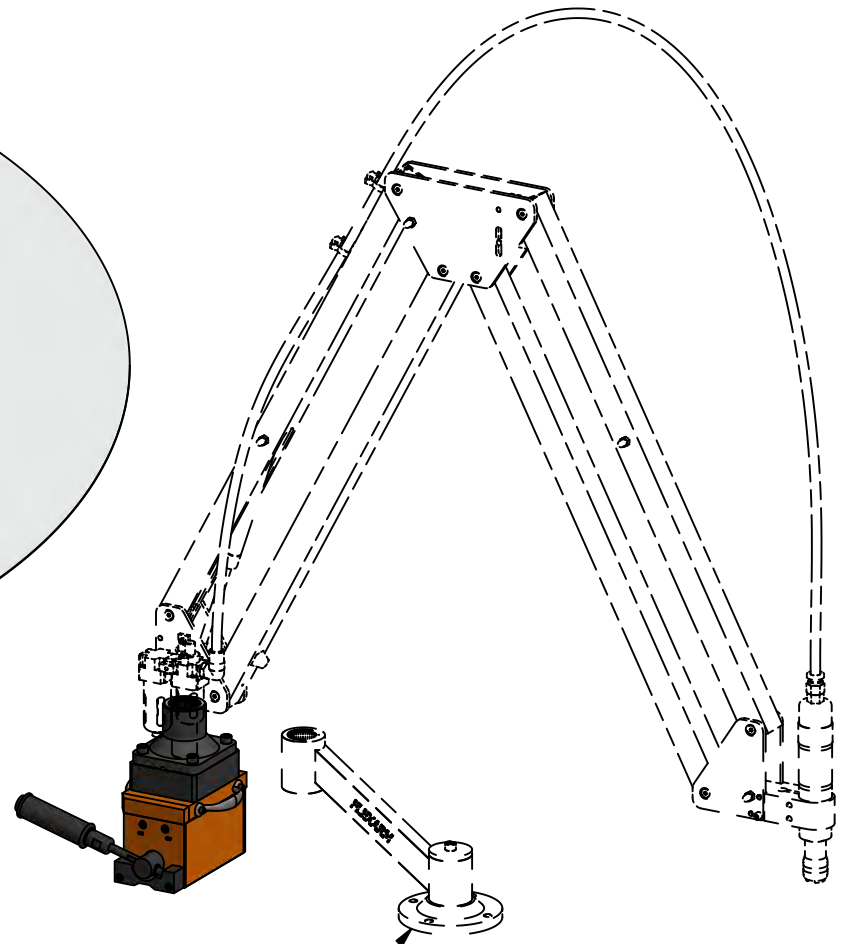
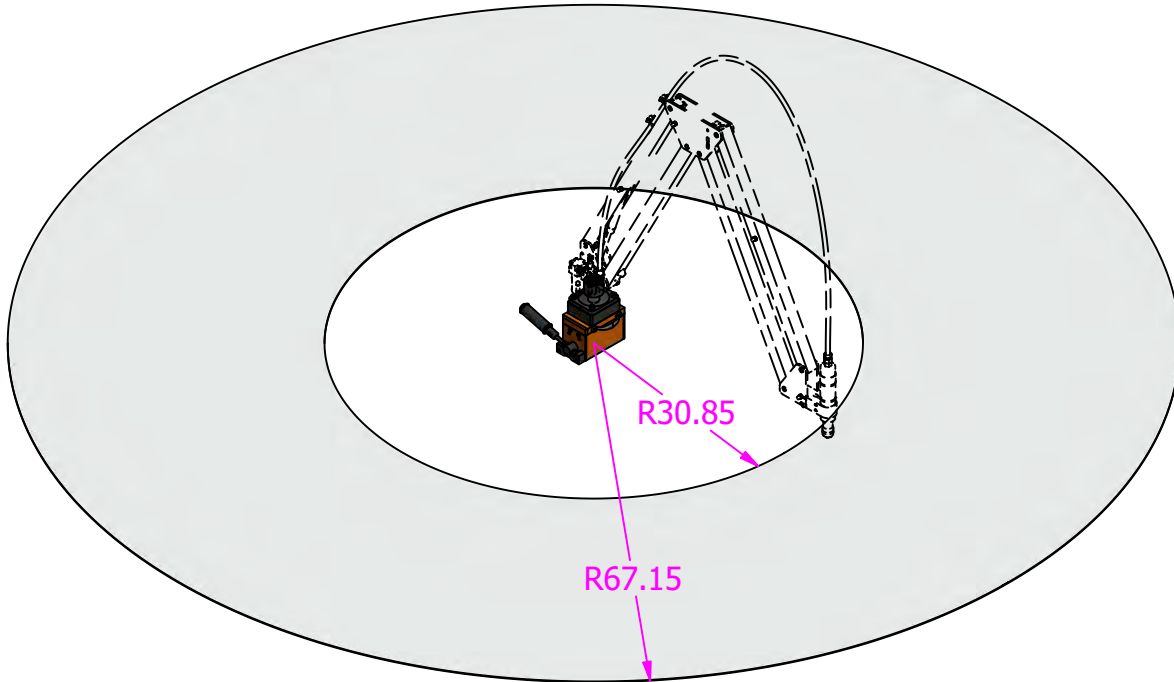
<i>Date:</i> 3/26/2020	<i>Tolerance:</i> .00.....±.010 DECIMAL: .000.....±.005 .0000.....±.0005	<i>Drawn By:</i> crieman	<i>Option No.:</i>
<i>Name:</i> MAGNETIC BASE FOR A-32			
<i>Material Specs:</i>			<i>Sheet:</i> 1 of 1
Flex  arm Tapping & Assembly Arm Solutions		<i>Part No.:</i> FX900050A	



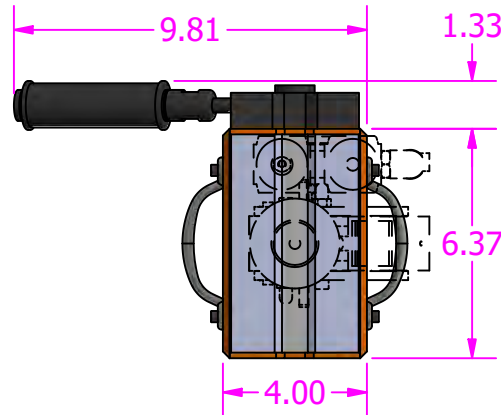
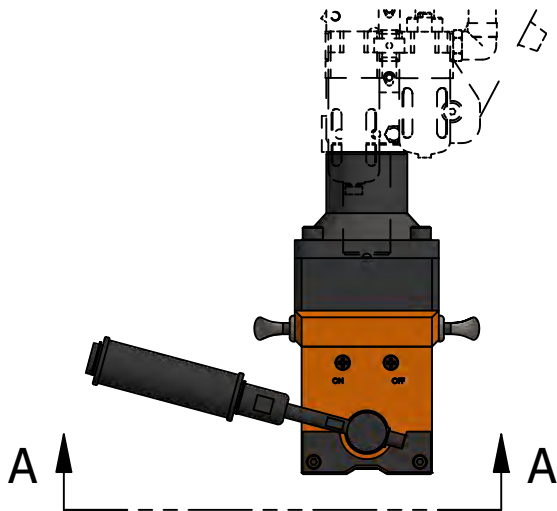
STANDARD BASE MOUNT CAN BE UTILIZED IN PERMANENT LOCATION AND THE ARM MOVED BETWEEN IT AND THE MAGNETIC BASE.




<i>Date:</i> 3/26/2020	<i>Tolerance:</i> .00.....±.010 DECIMAL: .000.....±.005 .0000.....±.0005	<i>Drawn By:</i> crieman	<i>Option No.:</i>
<i>Name:</i> MAGNETIC BASE FOR S-36			
<i>Material Specs:</i>			<i>Sheet:</i> 1 of 1
Flex  arm [™] Tapping & Assembly Arm Solutions		<i>Part No.:</i> FX900050B	



STANDARD BASE MOUNT CAN BE UTILIZED IN PERMANENT LOCATION AND THE ARM MOVED BETWEEN IT AND THE MAGNETIC BASE.



VIEW A-A

<i>Date:</i> 3/26/2020	<i>Tolerance:</i> .00.....±.010 DECIMAL: .000.....±.005 .0000.....±.0005	<i>Drawn By:</i> crieman	<i>Option No.:</i>
<i>Name:</i> MAGNETIC BASE FOR M-60			
<i>Material Specs:</i>			<i>Sheet:</i> 1 of 1
Flex  arm Tapping & Assembly Arm Solutions		<i>Part No.:</i> FX900050B	