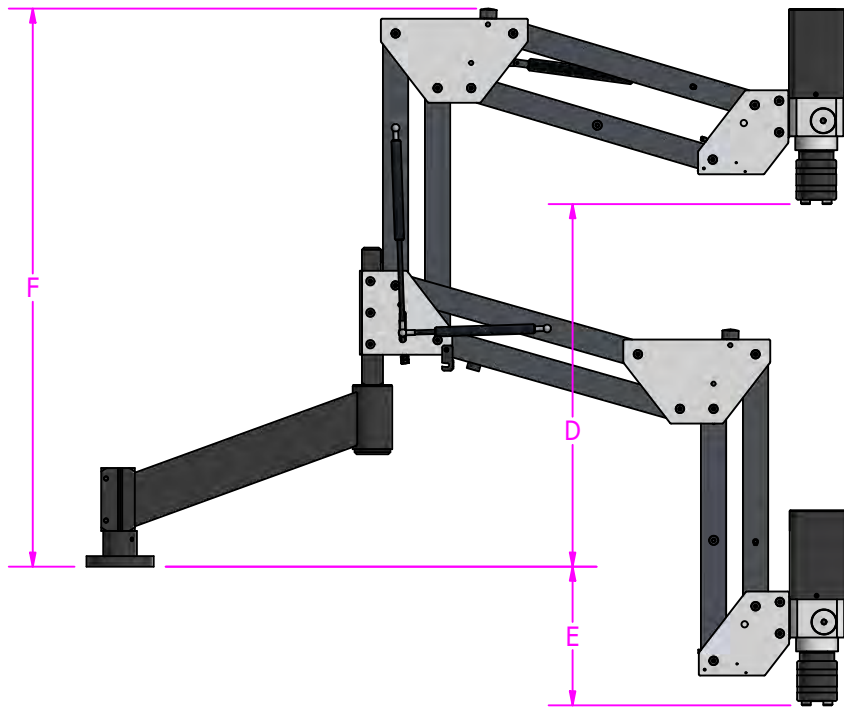
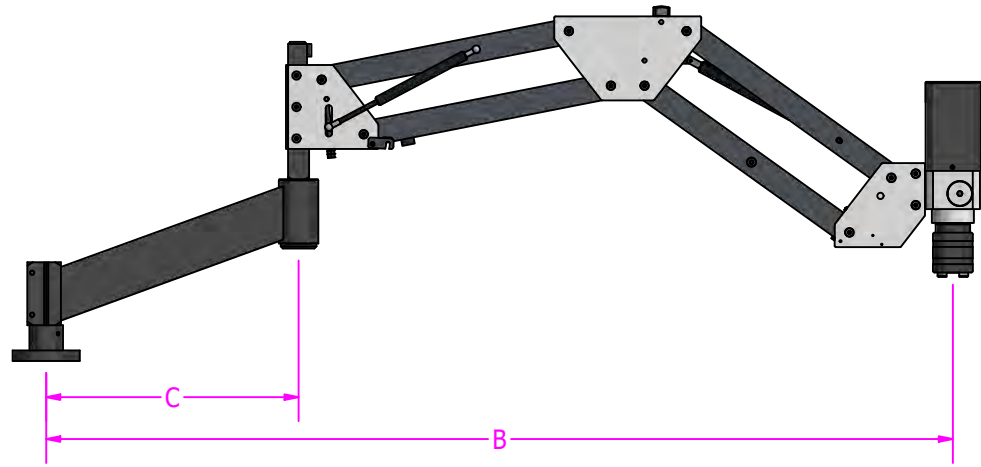
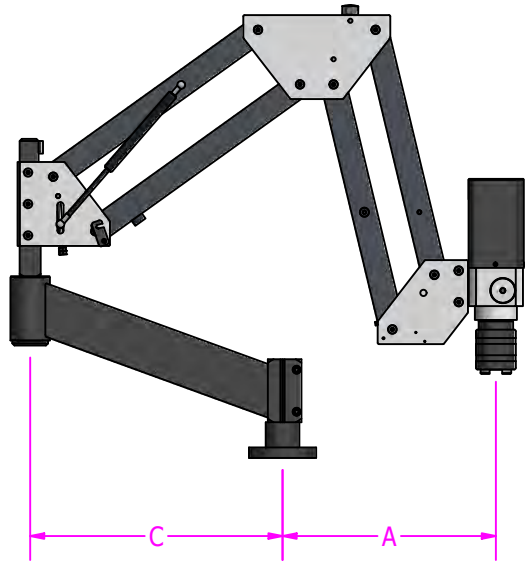


BASE MOUNT

	A	B	C	D	E
RNRM-20	.433	.709	.394	3.953	5.06
GHM-18	.433	.709	.394	3.953	5.06
GHM-24	.433	.709	.394	3.953	5.06
GHM-30	.433	.709	.394	3.953	5.06
GHM-45	.413	.709	.236	4.528	6.3
GHM-60	.512	.787	.512	4.92	6.3

<i>Date:</i> 7/30/2020	<i>Tolerance:</i> .00.....±.010 DECIMAL: .000.....±.005 .0000.....±.0005	<i>Drawn By:</i> crieman	<i>Option No:</i>
<i>Name:</i> FLEXARM TAPPING ARM WORKING RANGE			
<i>Material Specs:</i>			<i>Sheet:</i> 1 OF 2
		<i>Part No:</i> TAPPING ARM	



	A	B	C	D	E	F
RNR-20	20	76	17.36	37	14	44.5
GH-18	20	76	17.36	37	14	44.5
GH-24	20	76	17.36	37	14	44.5
GH-30	20	76	17.36	37	14	44.5
GH-45	20	78	23.84	35	13.5	49.5
GH-60	20	85	23.7	34	13	52

<i>Date:</i> 7/30/2020	<i>Tolerance:</i> .00.....±.010 DECIMAL: .000.....±.005 .0000.....±.0005	<i>Drawn By:</i> crieman	<i>Option No:</i>
---------------------------	---	-----------------------------	-------------------

Name:
FLEXARM TAPPING ARMS WORKING RANGE

<i>Material Specs:</i>	<i>Sheet:</i> 2 OF 2
------------------------	-------------------------

	<i>Part No:</i> TAPPING ARMS
--	---------------------------------