

Suspended arms

SLIDER



SLIDER Series: Eliminate torque reaction up to 300 Nm (221 lbf·ft).

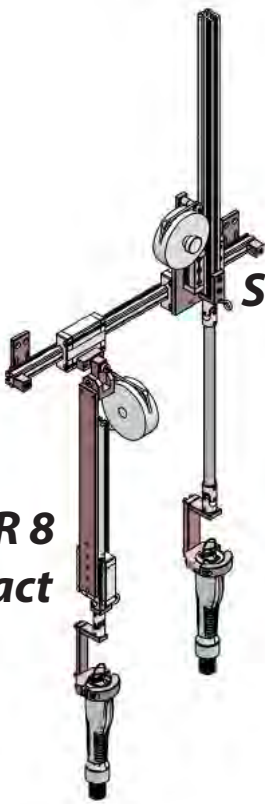
- IMPROVE COMFORT AND PRODUCTIVITY

SLIDER arms are smart-sized and easy to install. The arms improve the comfort of the operator, productivity and keep the work area clear.

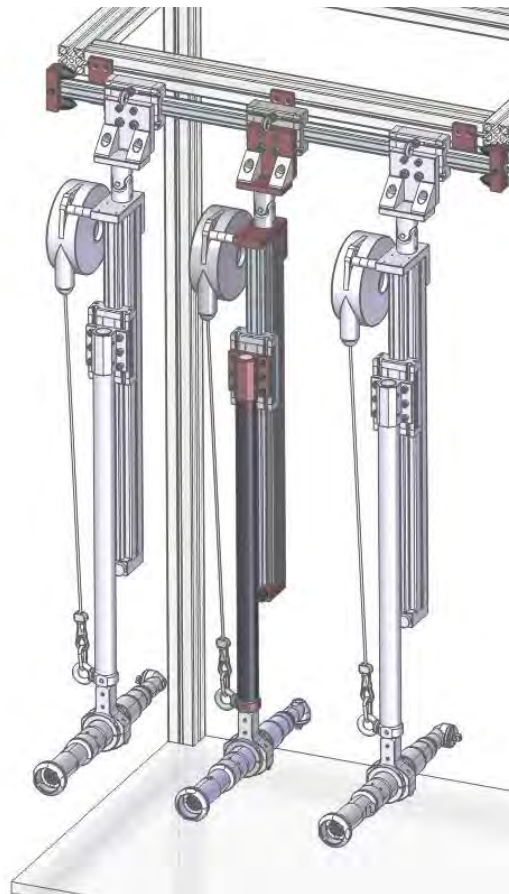
- IMPROVE ERGONOMICS

Mounted on horizontal rails, the SLIDER is an ideal ergonomic solution for conveyor lines.

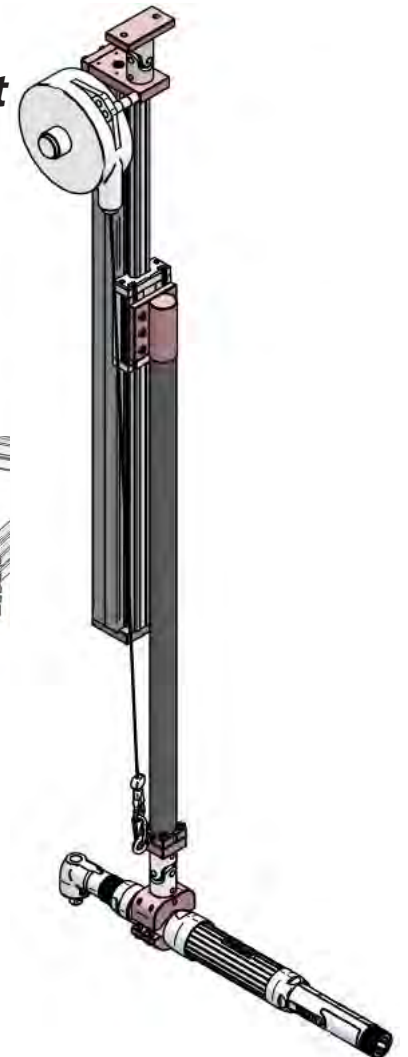
SLIDER 8 compact



SLIDER 8/20



SLIDER 50 compact

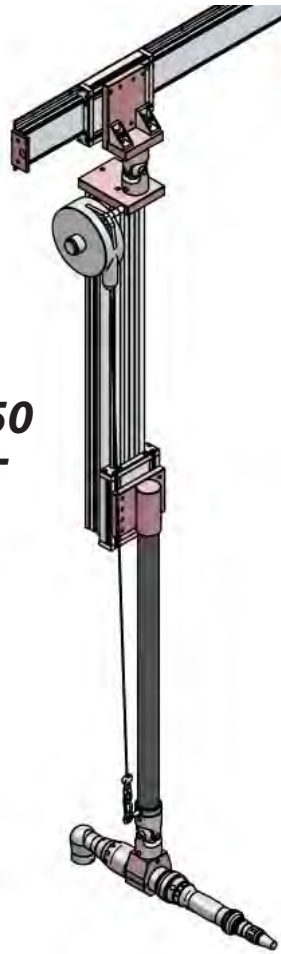


SLIDER 50 COMPACT
Vertical/horizontal tightening

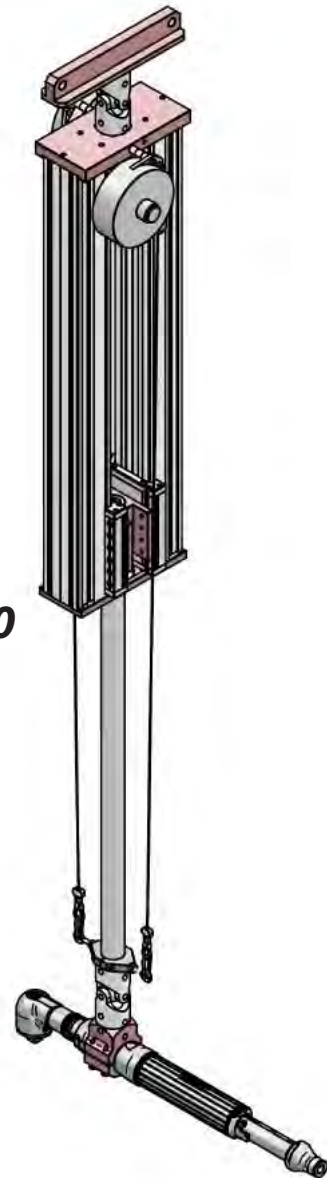
Suspended arms

SLIDER

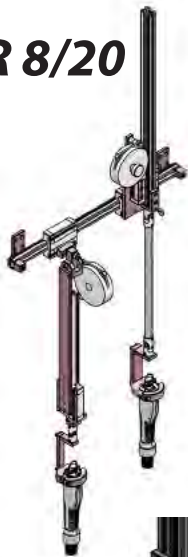
**SLIDER 150
COMPACT**



**SLIDER 300
COMPACT**



SLIDER 8/20



SLIDER with clamp for electric tool

| Désignation | 3D Drawing | Max torque | | Max load | | Clamp Ø | | Stroke | | Code |
|----------------------|------------|------------|----------|----------|-------|---------|---------|--------|--------|-----------|
| | | Nm | (lbf-ft) | kg | (lbs) | mm | (in) | mm | (in) | |
| Slider 8 | F | 8 | (5.9) | 1.2 | (2.6) | 28-52 | (1.1-2) | 450 | (17.7) | 4-5283148 |
| Slider 20 | F | 20 | (15) | 2.2 | (4.9) | 28-52 | (1.1-2) | 450 | (17.7) | 4-5283149 |
| Slider 8 Compact/270 | | 8 | (5.9) | 1.2 | (2.6) | 28-52 | (1.1-2) | 270 | (10.6) | 4-5283150 |
| Slider 8 Compact/470 | | 8 | (5.9) | 1.2 | (2.6) | 28-52 | (1.1-2) | 470 | (18.5) | 4-5283151 |

Interface for air tool

| Model | Code |
|---------------------------------------|-----------|
| Interface 1/4" SLIDER 8 and 8 COMPACT | 4-5283171 |
| Interface 1/4" SLIDER 20 | 4-5283172 |



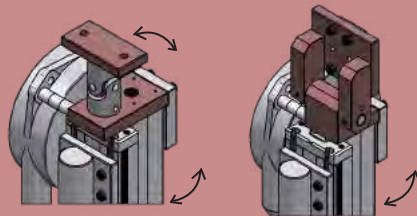


Suspended arms

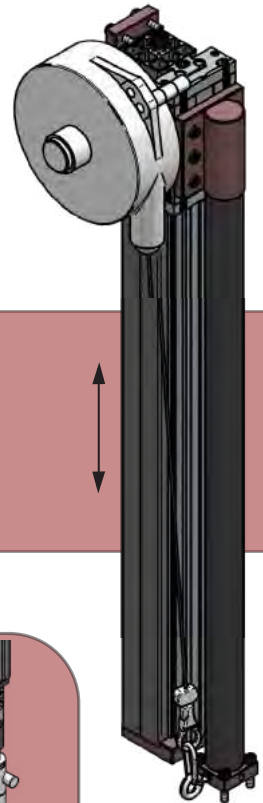
SLIDER

► Modular system SLIDER 20/50 Compact

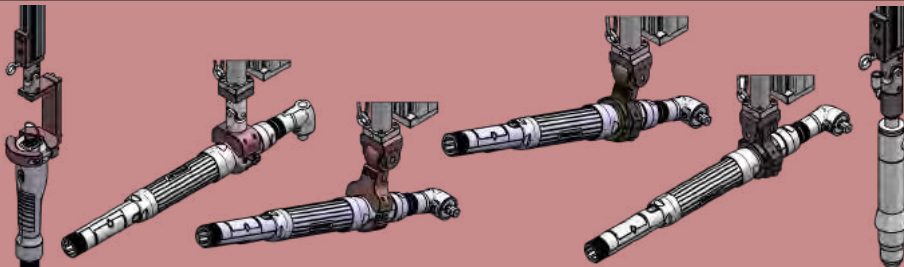
Upper Interface



Vertical guide



Tool clamps



Vertical guide

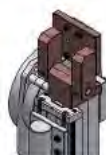
| Model | Max torque | | Vertical stroke | | Max load | | Code |
|-----------------------|------------|----------|-----------------|--------|----------|-------|-----------|
| | Nm | (lbf-ft) | mm | (in) | kg | (lbs) | |
| SLIDER 20 Compact/270 | 20 | (15) | 270 | (10.6) | 2.2 | (4.9) | 4-5283152 |
| SLIDER 20 Compact/470 | 20 | (15) | 470 | (18.5) | 2.2 | (4.9) | 4-5283153 |
| SLIDER 50 Compact/470 | 50 | (37) | 470 | (18.5) | 3 | (6.6) | 4-5283154 |
| SLIDER 50 Compact/670 | 50 | (37) | 670 | (26.4) | 3 | (6.6) | 4-5283155 |
| SLIDER 50 Compact/870 | 50 | (37) | 870 | (34.3) | 3 | (6.6) | 4-5283156 |

Upper 2 axes interface



| Model | Code |
|-----------|-----------|
| SLIDER 20 | 4-5283159 |
| SLIDER 50 | 4-5283160 |

Upper 1 axis interface



| Model | Code |
|-----------|-----------|
| SLIDER 20 | 4-5283157 |
| SLIDER 50 | 4-5283158 |

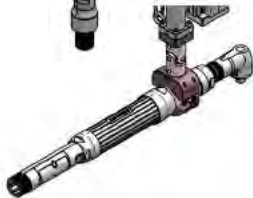
Suspended arms

Options SLIDER 8/20/50



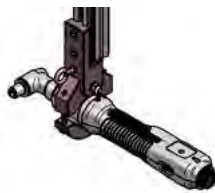
Clamp for electric screwdrivers/Slider 20 compact

| Model | Clamp Ø mm | Clamp Ø (in) | Code |
|-----------------|------------|--------------|-----------|
| Clamp SLIDER 20 | 28-52 | (1.1-2) | 4-5283161 |



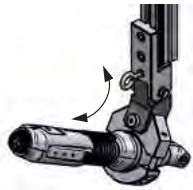
Cardan clamp for angle nutrunners

| Model | Clamp Ø mm | Clamp Ø (in) | Code |
|-----------|------------|--------------|-----------|
| SLIDER 20 | 28-52 | (1.1-2) | 4-5283162 |
| SLIDER 50 | 35-52 | (1.4-2) | 4-5283163 |



Fixed clamp

| Model | Clamp Ø mm | Clamp Ø (in) | Code |
|-----------|------------|--------------|-----------|
| SLIDER 20 | 28-52 | (1.1-2) | 4-5283164 |



Tilt interface

| Model | Code |
|---------------|-----------|
| 15° SLIDER 20 | 4-5283168 |
| 30° SLIDER 20 | 4-5283169 |



Tilting clamp

| Model | Clamp Ø mm | Clamp Ø (in) | Increment | Code |
|-----------|------------|--------------|-----------|-----------|
| SLIDER 50 | 35-52 | (1.4-2) | 18° | 4-5283165 |



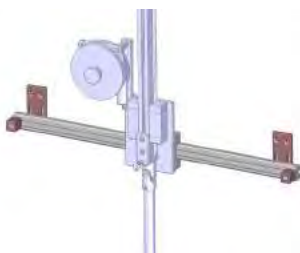
Rotating clamp

| Model | Clamp Ø mm | Clamp Ø (in) | Code |
|-----------|------------|--------------|-----------|
| SLIDER 20 | 43 | (1.7) | 4-5283166 |
| SLIDER 50 | 50 | (1.9) | 4-5283167 |



Tilting and rotating clamp

| Model | Clamp Ø mm | Clamp Ø (in) | Increment | Code |
|-----------|------------|--------------|-----------|-----------|
| SLIDER 50 | 50 | (1.9) | 18° | 4-5283170 |



Rails SLIDER 8/20/50

| Length mm | Length (mm) | Stroke mm | Stroke (in) | Bracket number | Code |
|-----------|-------------|-----------|-------------|----------------|-----------|
| 600 | (23.6) | 450 | (17.7) | 2 | 4-5200132 |
| 800 | (31.5) | 650 | (25.6) | 2 | 4-5200160 |
| 1000 | (39.4) | 850 | (33.5) | 2 | 4-5200161 |
| 1200 | (47.2) | 1050 | (41.3) | 3 | 4-5200162 |
| 1500 | (59.1) | 1350 | (53.1) | 3 | 4-5200163 |
| 2000 | (78.7) | 1850 | (72.8) | 4 | 4-5200164 |



Suspended arms

Options SLIDER 8/20/50



Rails for Slider 8 and 20 Compact (delivered with rail interface)

Select rails by choosing (p.33) :

- 2 rails for X
- 1 rail for Y (max length = 1000 mm)



| Model | Code |
|-------------------|-----------|
| Set of 2 brackets | 4-5283173 |

Interface Slider 50

| Model | Code |
|-----------|-----------|
| Interface | 4-5200708 |

Rail link

To link two rails together. **Code : 4-5200307.**

Additional bracket

To reinforce the rail structure. **Code : 4-5200873.**

Set of 2 absorbing stops

Recommended in case of repeatable side shocks. **Code : 4-5201121.**

Adjustable stops

To limit the slide of the arm on the rail.

For slider 8/20/50 rail **Code : 4-5200167**

For slider 150/300 rail **Code : 4-5283201**

Additional trolley

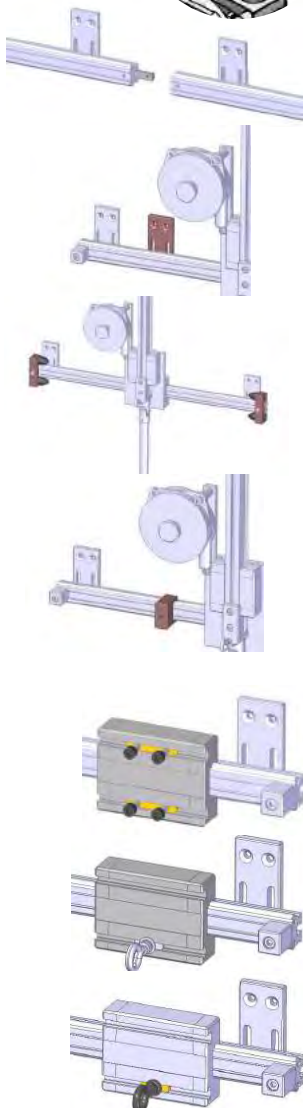
To mount additional tools on the same rail.

- Single trolley **Code : 4-5200165.**

- Trolley for additional balancer **Code : 4-5200166.**

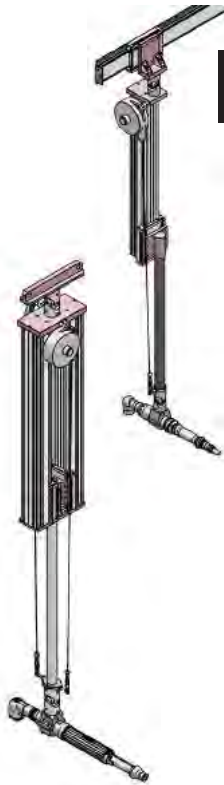
Additional safety hook

To secure the balancer. **Code : 4-5200309.**



Suspended arms

SLIDER 150/300 COMPACT



| Model | Max Torque | | Clamp Ø | | Vertical stroke | | Min | | Max | | Load | | Code |
|-------------------------|------------|----------|---------|-------|-----------------|--------|------|--------|------|--------|------|-------|-----------|
| | Nm | (lbf-ft) | mm | (in) | mm | (in) | mm | (in) | mm | (in) | kg | (lbs) | |
| SLIDER 150 Compact 600 | 150 | (111) | Max 63 | (2.5) | 600 | (23.6) | 1100 | (43.3) | 1700 | (67) | 5 | (11) | 4-5283113 |
| SLIDER 150 Compact 800 | 150 | (111) | Max 63 | (2.5) | 800 | (31.5) | 1300 | (51.2) | 2100 | (82.7) | 5 | (11) | 4-5283114 |
| SLIDER 150 Compact 1000 | 150 | (111) | Max 63 | (2.5) | 1000 | (39.4) | 1500 | (59.1) | 2500 | (98.4) | 5 | (11) | 4-5283115 |

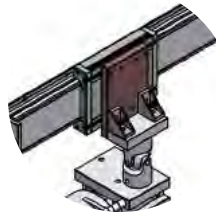
Rotating clamp

| Model | Ø Clamping mm | Ø Clamping (in) | Code |
|------------|---------------|-----------------|-----------|
| SLIDER 150 | Max 63 | (2.5) | 4-5283117 |
| SLIDER 300 | On demand | | NC |

| Model | Max torque (Nm) | Max torque (lbf-ft) | Clamp Ø | Vertical stroke | Code |
|--------------------|-----------------|---------------------|-----------|-----------------|-----------|
| SLIDER 300 COMPACT | 300 | (221) | On demand | On demand | On demand |

SLIDER 150 rail

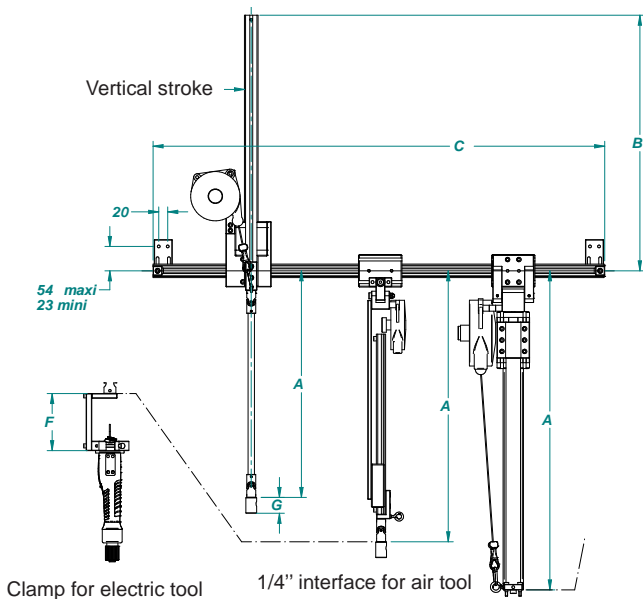
| Length mm | Length (in) | Stroke mm | Stroke (in) | Code |
|-----------|-------------|-----------|-------------|-----------|
| 600 | (23.6) | 420 | (16.5) | 4-5200294 |
| 1000 | (39.4) | 820 | (32.2) | 4-5200295 |
| 1500 | (59.1) | 1320 | (52) | 4-5200296 |
| 2000 | (78.7) | 1820 | (71.7) | 4-5200297 |



SLIDER 150 rail

| For | Code |
|-----------|-----------|
| Interface | 4-5200009 |

Dimensions SLIDER 8/20/50



| Model | A | | B | | Vertical stroke | | F | |
|-----------------------|---------|---------|-----|------|-----------------|------|-----|-------|
| | mm | (in) | mm | (in) | mm | (in) | mm | (in) |
| SLIDER 8 | | (20) | 565 | (22) | 450 | (18) | 120 | (4.7) |
| SLIDER 20 | 599 | (24) | 599 | (24) | 450 | (18) | 120 | (4.7) |
| SLIDER 8 COMPACT 270 | 550-600 | (22-24) | | | 270 | (11) | 120 | (4.7) |
| SLIDER 8 COMPACT 470 | 750-800 | (29-31) | | | 470 | (19) | 120 | (4.7) |
| SLIDER 20 COMPACT 270 | 488-538 | (19-21) | | | 270 | (11) | | |
| SLIDER 20 COMPACT 470 | 688-738 | (27-29) | | | 470 | (19) | | |
| SLIDER 50 COMPACT 470 | 705 | (28) | | | 470 | (19) | | |
| SLIDER 50 COMPACT 670 | 905 | (36) | | | 670 | (26) | | |
| SLIDER 50 COMPACT 870 | 1005 | (40) | | | 870 | (34) | | |