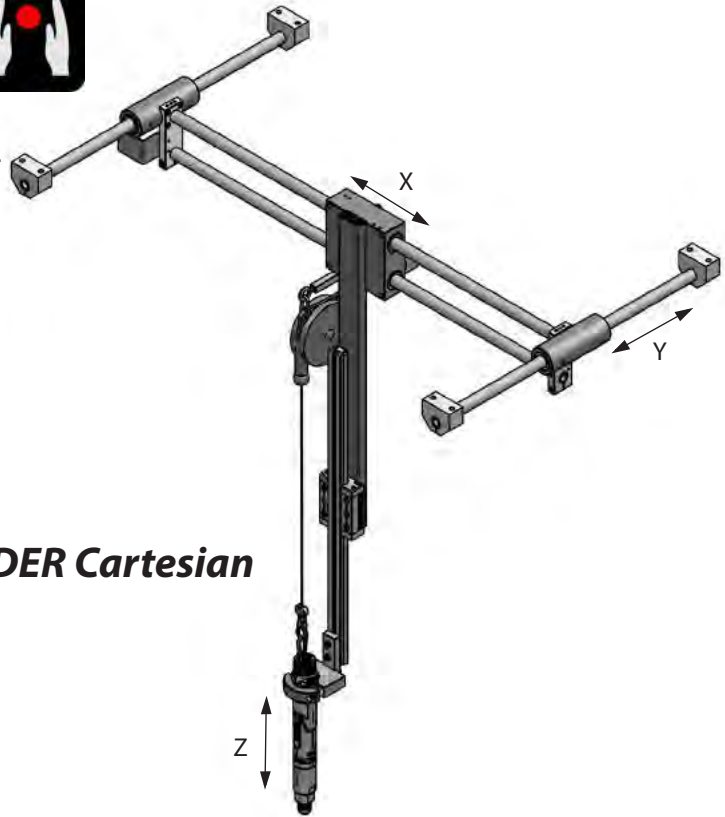


# Suspended arms

## SLIDER Cartesian



- The cartesian arms mounts to existing structures.
- Frees up the workstation.



**SLIDER Cartesian**

| Model                 | Max torque |          | X   |      | Y   |      | Z   |      | A   |      | B   |      | C   |      | Clamp Ø |         | Max load |       | Code      |
|-----------------------|------------|----------|-----|------|-----|------|-----|------|-----|------|-----|------|-----|------|---------|---------|----------|-------|-----------|
|                       | Nm         | (lbf-ft) | mm  | (in) | mm  | (in) | mm  | (in) | mm  | (in) | mm  | (in) | mm  | (in) | mm      | (in)    | kg       | (lbs) |           |
| SLIDER 15<br>Cart 300 | 15         | (11)     | 300 | (12) | 400 | (16) | 472 | (19) | 573 | (23) | 600 | (27) | 621 | (24) | 28-52   | (1.1-2) | 2        | (4.4) | 4-5283198 |
| SLIDER 15<br>Cart 500 | 15         | (11)     | 500 | (20) | 400 | (16) | 472 | (19) | 773 | (30) | 600 | (24) | 621 | (24) | 28-52   | (1.1-2) | 2        | (4.4) | 4-5283199 |
| SLIDER 15<br>Cart 700 | 15         | (11)     | 700 | (28) | 400 | (16) | 472 | (19) | 973 | (38) | 600 | (24) | 621 | (24) | 28-52   | (1.1-2) | 2        | (4.4) | 4-5283200 |

