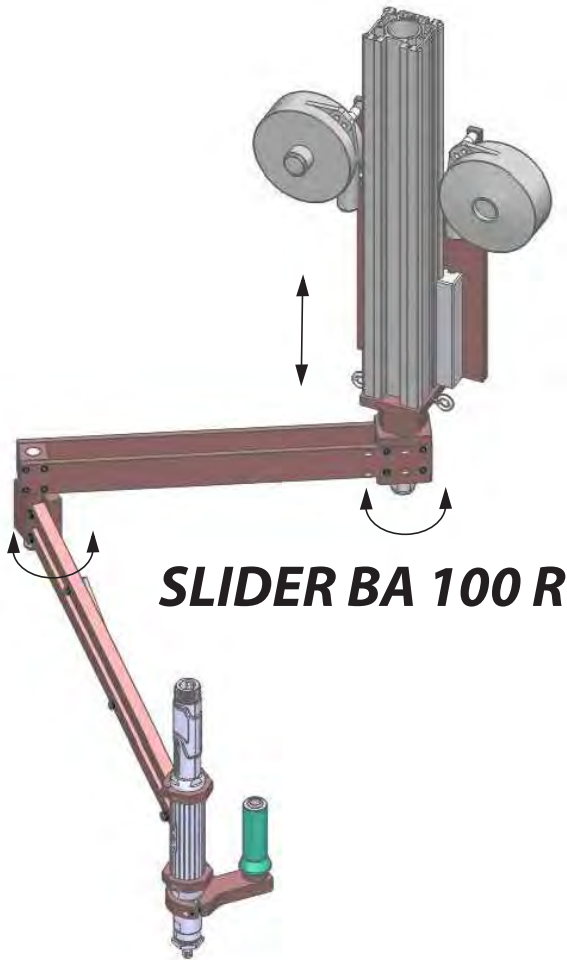


Suspended arms

SLIDER BA / SLIDER BA...R



- Overhead mounting means the work area remains free.
- Can also be installed on a rail. A rail mounting requires a pneumatic lock to counteract torque.

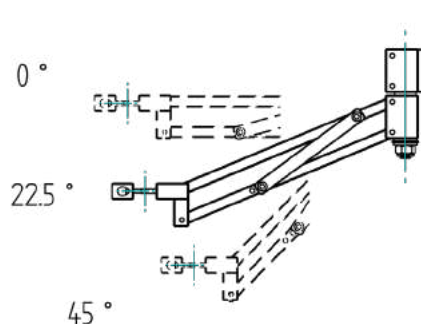
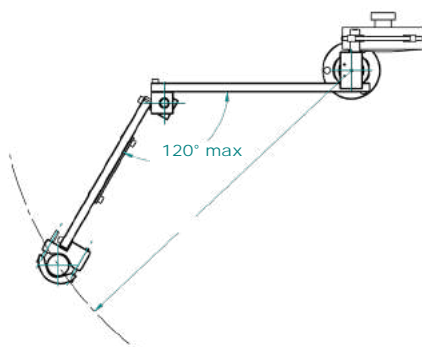


SLIDER BA 100 R

SLIDER BA 12/25/40 R

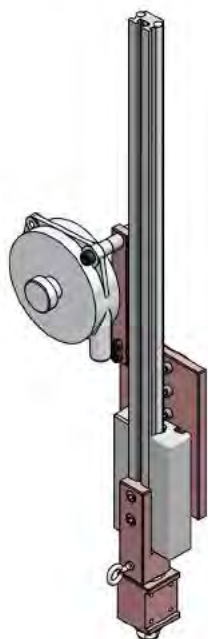


SLIDER BA 12/25/40



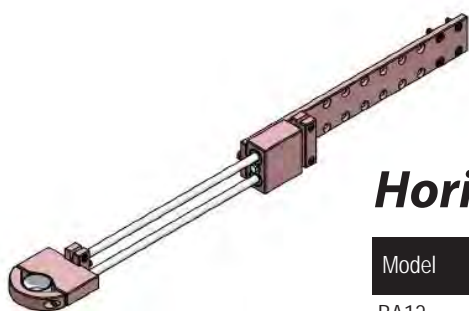
Suspended arms

Series SLIDER BA / SLIDER BA...R



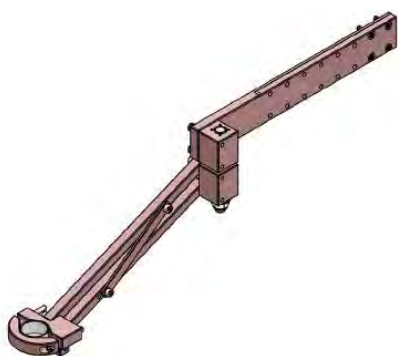
Vertical slide

Model	Vertical stroke		kg	Max load (lbs)	Code
	mm	(in)			
BA12/12R slide 440	440	(17.3)	1.2	(2.6)	4-5283124
BA12/12R slide 640	640	(25.2)	1.2	(2.6)	4-5283126
BA12/12R slide 840	840	(33.1)	1.2	(2.6)	4-5283127
BA25/25R slide 440	440	(17.3)	2.2	(4.9)	4-5283128
BA25/25R slide 640	640	(25.2)	2.2	(4.9)	4-5283129
BA25/25R slide 840	840	(33.1)	2.2	(4.9)	4-5283130
BA40/40R slide 440	440	(17.3)	3	(6.6)	4-5283131
BA40/40R slide 640	640	(25.2)	3	(6.6)	4-5283132
BA40/40R slide 840	840	(33.1)	3	(6.6)	4-5283133
BA100/100R slide 440	440	(17.3)	5	(11)	4-5283134
BA100/100R slide 640	640	(25.2)	5	(11)	4-5283135
BA100/100R slide 840	840	(33.1)	5	(11)	4-5283136



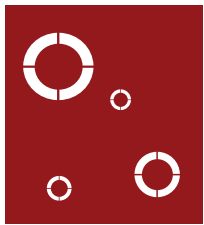
Horizontal linear slides

Model	Stroke		kg	Clamp Ø (lbs)	Code
	mm	(in)			
BA12	225	(8.9)	27-50	(1.1-2)	4-5283137
BA25	250	(9.8)	28-52	(1.1-2)	4-5283138
BA40	295	(11.6)	28-52	(1.1-2)	4-5283139
BA100	330	(13)	28-52	(1.1-2)	4-5283140



Horizontal articulation

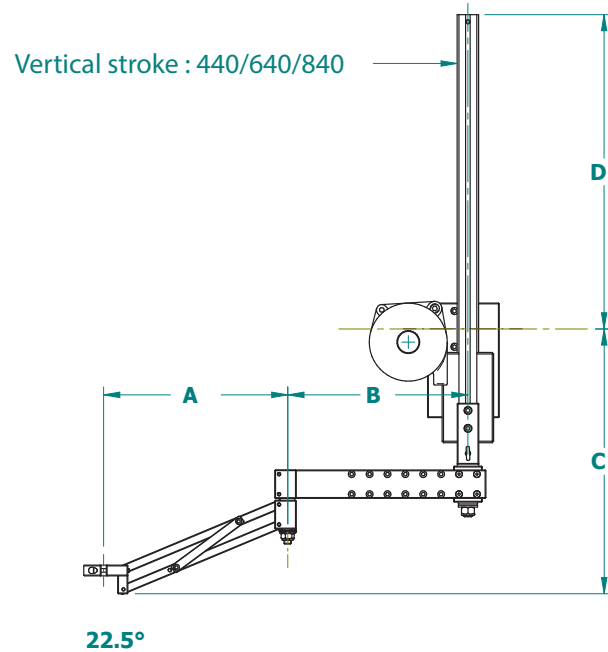
Model	Max radius		Clamp Ø (in)	Code
	mm	(in)		
BA12R	450	(17.7)	27-50 (1.1-1.9)	4-5283141
BA25R	460	(18.1)	28-52 (1.1-2)	4-5283142
BA25R/600	600	(23.6)	28-52 (1.1-2)	4-5283143
BA40R	650	(25.6)	28-52 (1.1-2)	4-5283144
BA40R/800	800	(31)	28-52 (1.1-2)	4-5283145
BA100R	730	(28.7)	28-52 (1.1-2)	4-5283146
BA100R/900	900	(35.4)	28-52 (1.1-2)	4-5283147



Suspended arms

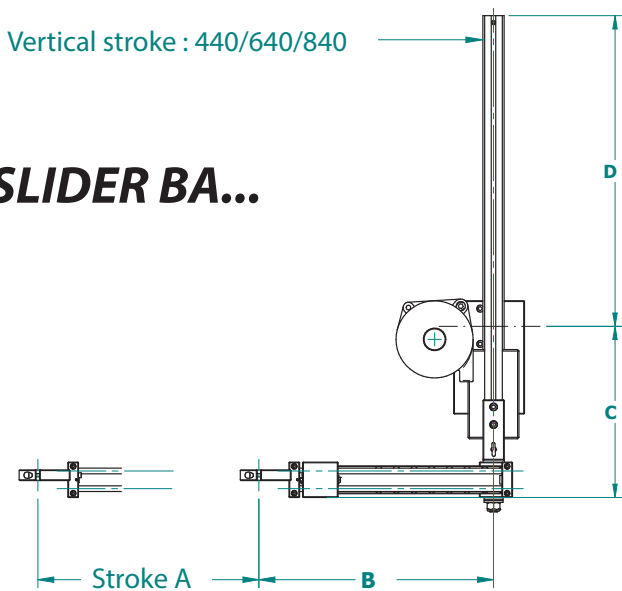
SLIDER BA / SLIDER BA...R

SLIDER BA...R

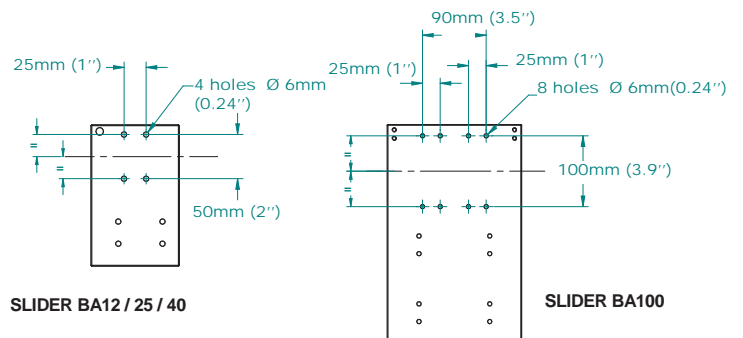


	A		B min		B max		Operating radius at 120°		C		D	
	mm	(in)	mm	(in)	mm	(in)	mm	(in)	mm	(in)	mm	(in)
SLIDER BA 12 R	261	(10)	102	(4.0)	252	(10)	450	(18)	370	(15)	440	(17)
SLIDER BA 25 R	278	(11)	95	(3.7)	245	(10)	460	(18)	394	(16)	425	(17)
SLIDER BA 25 R/600	336	(13)	305	(12)	330	(13)	600	(24)	417	(16)	425	(17)
SLIDER BA 40 R	388	(15)	150	(5.9)	350	(14)	650	(26)	482	(19)	419	(17)
SLIDER BA 40 R/800	470	(19)	415	(16)	415	(16)	800	(32)	496	(20)	419	(17)
SLIDER BA 100 R	433	(17)	205	(8.1)	405	(16)	730	(29)	597	(24)	358	(14)
SLIDER BA 100 R/900	528	(21)	470	(19)	520	(20)	900	(35)	634	(25)	358	(14)

SLIDER BA...



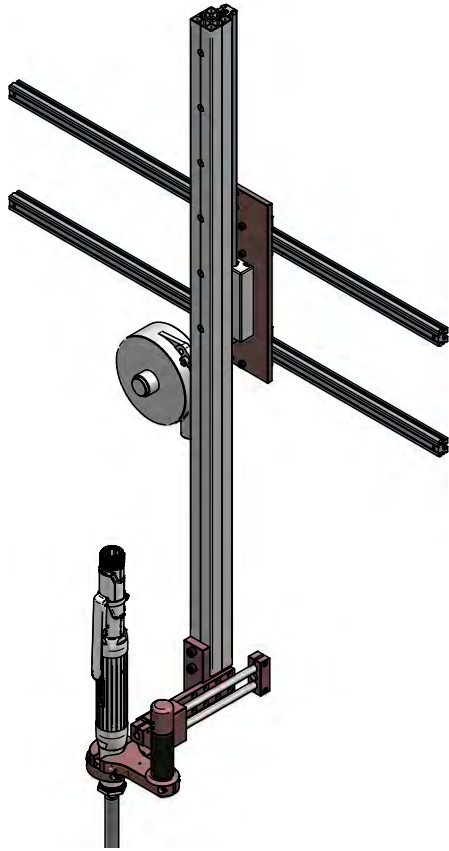
Mounting dimensions



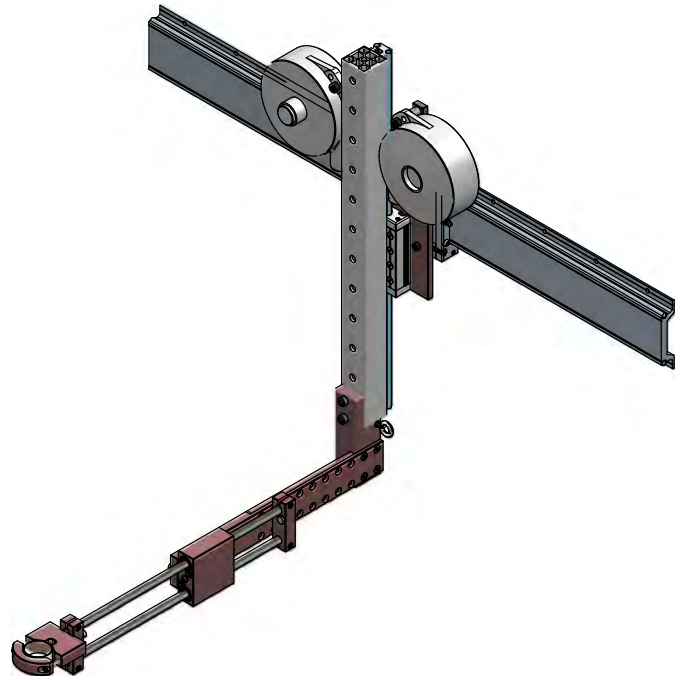
Model	Stroke A		B min		B max		C		D	
	(mm)	(in)	(mm)	(in)	(mm)	(in)	(mm)	(in)	(mm)	(in)
SLIDER BA 12	225	(8.9)	186	(7.3)	336	(13)	246	(9.7)	436	(17)
SLIDER BA 25	250	(9.8)	221	(8.7)	396	(16)	250	(9.8)	436	(17)
SLIDER BA 40	295	(12)	260	(10)	460	(18)	314	(12)	419	(17)
SLIDER BA 100	330	(13)	315	(12)	515	(20)	395	(16)	358	(14)

Suspended arms

Special applications



SLIDER BA25C on double rail



SLIDER 40C on large rail



SLIDER BA12C on large rail