

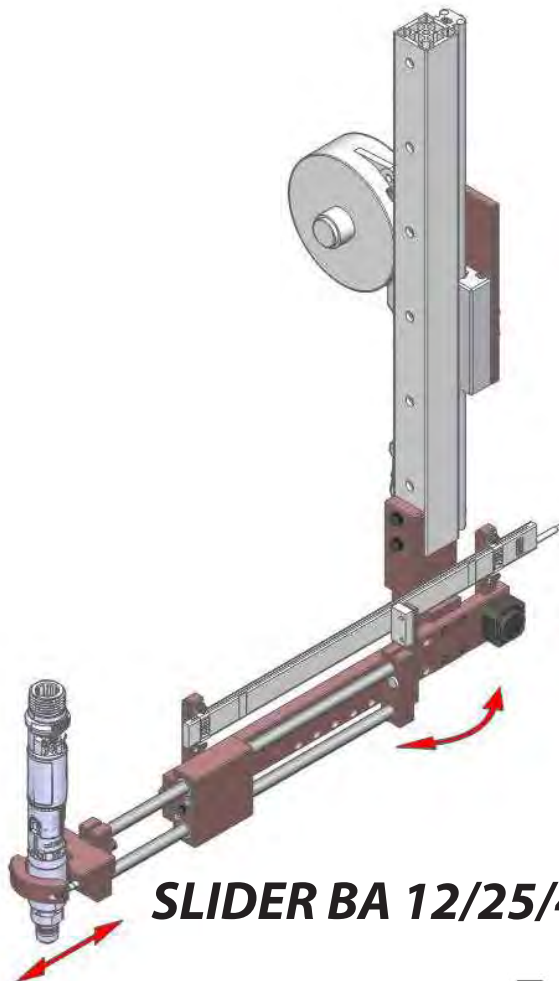
Suspended arms

SLIDER BA...PC/RPC

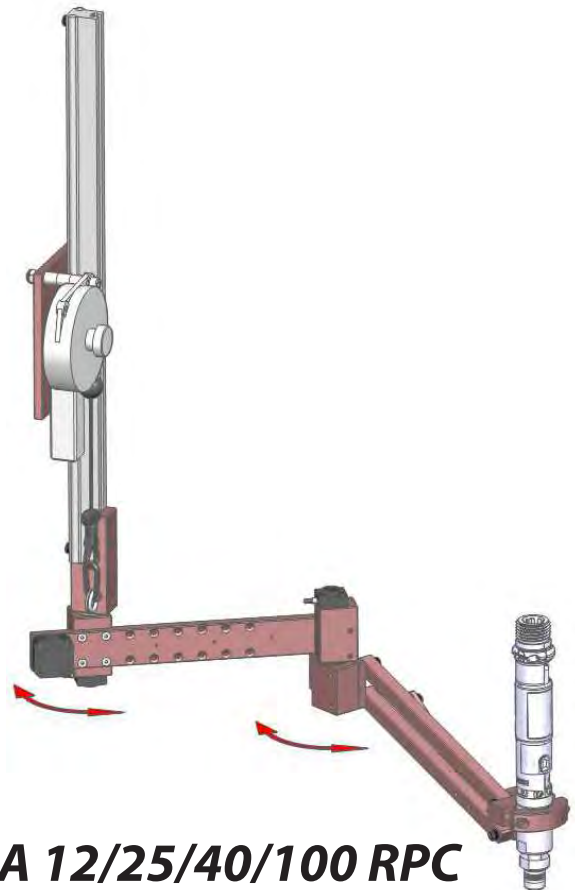


- Torque capacity up to 100 Nm (74 lbf·ft)
- Operating range up to 1100 mm (35")
- Equipped with absolute, 12bit, angle encoders (0.1°)
- Higher torque versions available on request

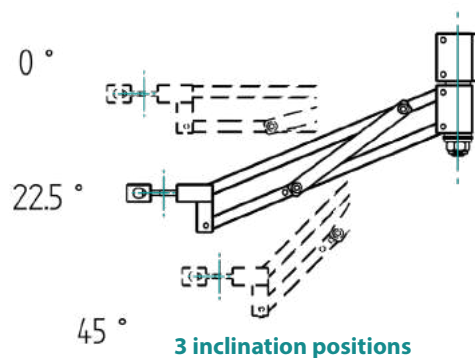
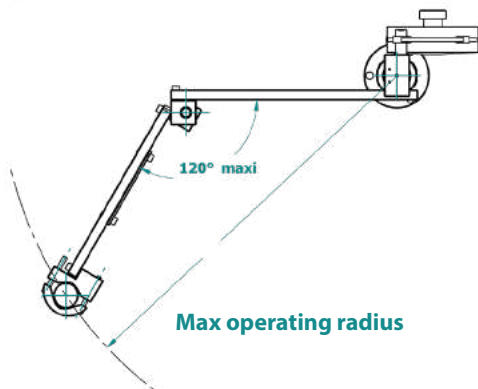
↔ Monitored movement



SLIDER BA 12/25/40 PC



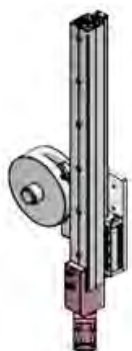
SLIDER BA 12/25/40/100 RPC



Suspended arms

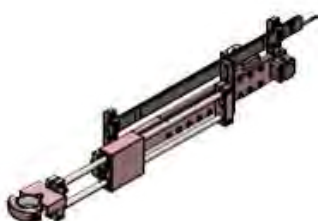
SLIDER BA...PC/RPC

Vertical slide



Model	Vertical stroke		Max load		Code
	mm	(in)	kg	(lbs)	
BA12PC/12RPC	440	(17.3)	1,2	(2.6)	4-5283175
BA12PC/12RPC	640	(25.2)	1,2	(2.6)	4-5283176
BA12PC/12RPC	840	(33.1)	1,2	(2.6)	4-5283177
BA25PC/25RPC	440	(17.3)	2,2	(4.9)	4-5283178
BA25PC/25RPC	640	(25.2)	2,2	(4.9)	4-5283179
BA25PC/25RPC	840	(33.1)	2,2	(4.9)	4-5283180
BA40PC/40RPC	440	(17.3)	3	(6.6)	4-5283181
BA40PC/40RPC	640	(25.2)	3	(6.6)	4-5283182
BA40PC/40RPC	840	(33.1)	3	(6.6)	4-5283183
BA100RPC	440	(17.3)	5	(11)	4-5283184
BA100RPC	640	(25.2)	5	(11)	4-5283185
BA100RPC	840	(33.1)	5	(11)	4-5283186

Horizontal linear slides



Model	Stroke		Clamp Ø		Code
	mm	(in)	mm	(in)	
BA12PC	225	(8.9)	27/50	(1.1-2)	4-5283187
BA25PC	250	(9.8)	28/52	(1.1-2)	4-5283188
BA40PC	295	(11.6)	28/52	(1.1-2)	4-5283189
BA100PC	295	(11.6)	28/52	(1.1-2)	4-5283190

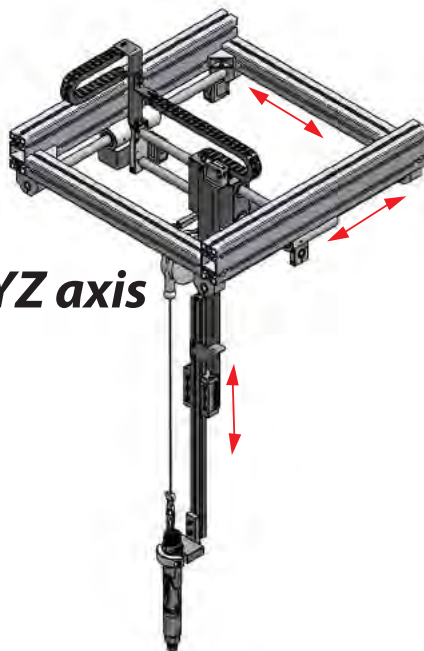
Horizontal articulation



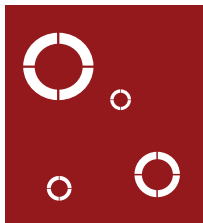
Model	Stroke		Clamp Ø		Code
	mm	(in)	mm	(in)	
BA12RPC	450	(17.7)	27-50	(1.1-1.9)	4-5283191
BA25RPC	460	(18.1)	28-52	(1.1-2)	4-5283192
BA25RPC/600	600	(23.6)	28-52	(1.1-2)	4-5283193
BA40RPC	650	(25.6)	28-52	(1.1-2)	4-5283194
BA40RPC/800	800	(31.5)	28-52	(1.1-2)	4-5283195
BA100RPC	730	(28.7)	28-52	(1.1-2)	4-5283196
BA100RPC/900	900	(35.4)	28-52	(1.1-2)	4-5283197

SLIDER CARTESIAN PC

Our cartesian slider may be equipped with position encoders on X, Y, Z axis.
Dimensions on request

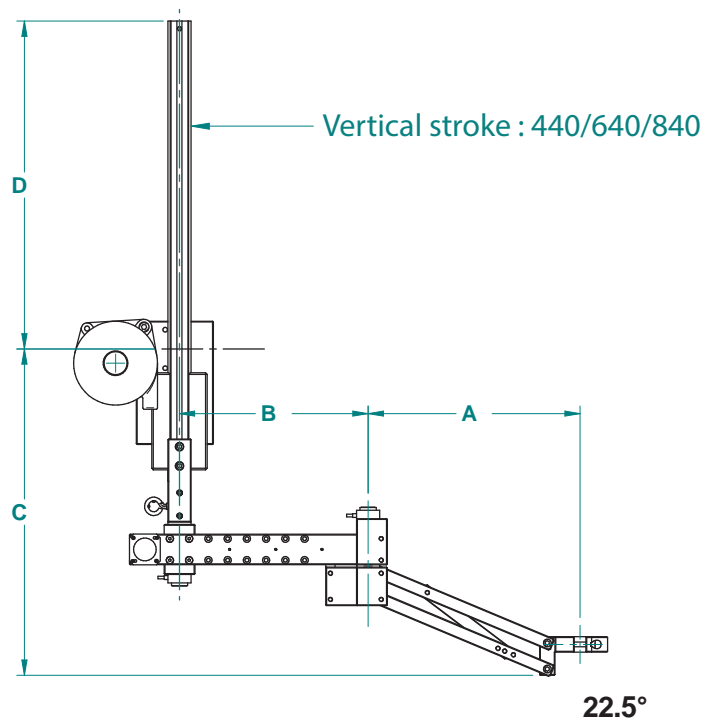


Laser encoders on XYZ axis

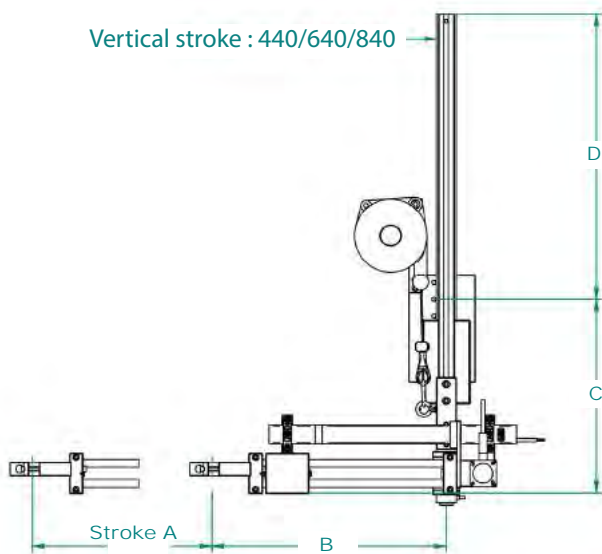


Suspended arms

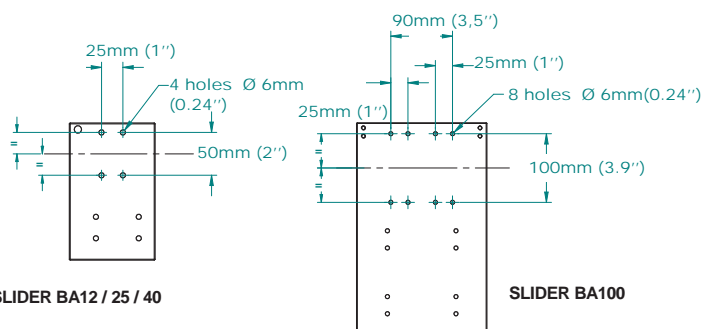
SLIDER BA...PC/RPC Series



Model	A		B min		B max		Max radius at 22.5°		C		D	
	mm	(in)	mm	(in)	mm	(in)	mm	(in)	mm	(in)	mm	(in)
SLIDER BA 12 RPC	261	(10.3)	102	(4)	252	(9.9)	450	(17.7)	380	(15)	440	(17.3)
SLIDER BA 25 RPC	278	(10.9)	95	(3.7)	245	(9.6)	460	(18.1)	424	(16.7)	425	(16.7)
SLIDER BA 25 RPC/600	336	(13.2)	305	(12)	330	(13)	600	(23.6)	447	(17.6)	425	(16.7)
SLIDER BA 40 RPC	387.5	(15.3)	150	(5.9)	350	(13.8)	650	(25.6)	482	(19)	419	(16.5)
SLIDER BA 40 RPC/800	470	(18.5)	415	(16.3)	415	(16.3)	800	(31.5)	496	(19.5)	419	(16.5)
SLIDER BA 100 RPC	433	(17)	205	(8.1)	405	(15.9)	730	(28.7)	597	(23.5)	358	(14.1)
SLIDER BA 100 RPC/900	528	(20.8)	470	(18.5)	520	(20.5)	900	(35.4)	634	(25)	358	(14.1)



Mounting plate details



Model	A		B min		B max		C		D	
	mm	(in)	mm	(in)	mm	(in)	mm	(in)	mm	(in)
SLIDER BA 12 PC	195	(7.7)	335	(13.2)	530	(20.9)	273	(10.7)	439 / 639 / 839	(17.3 / 25.2 / 33)
SLIDER BA 25 PC	195	(7.7)	350	(13.8)	545	(21.5)	290	(11.4)	426 / 626 / 826	(16.8 / 24.6 / 32.5)
SLIDER BA 40 PC	295	(11.6)	470	(18.5)	765	(30.1)	310	(12.2)	423 / 623 / 823	(16.7 / 24.5 / 32.4)