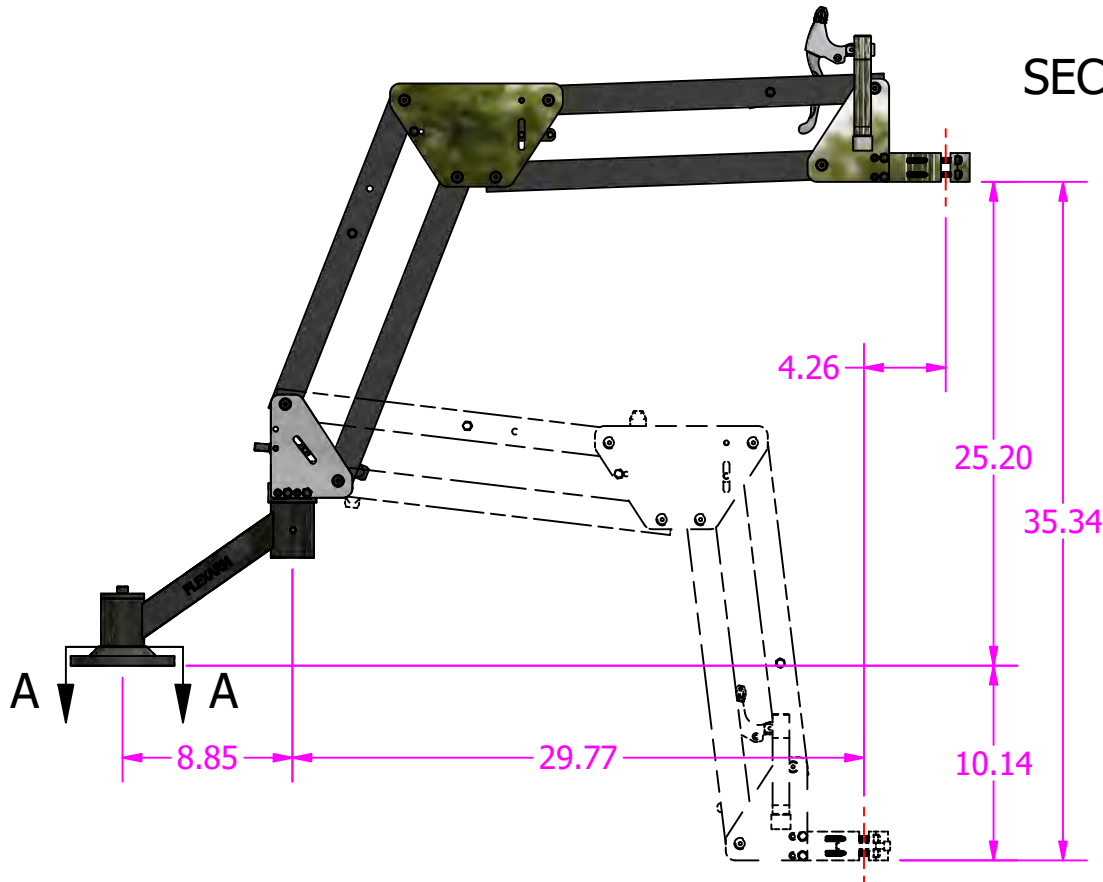
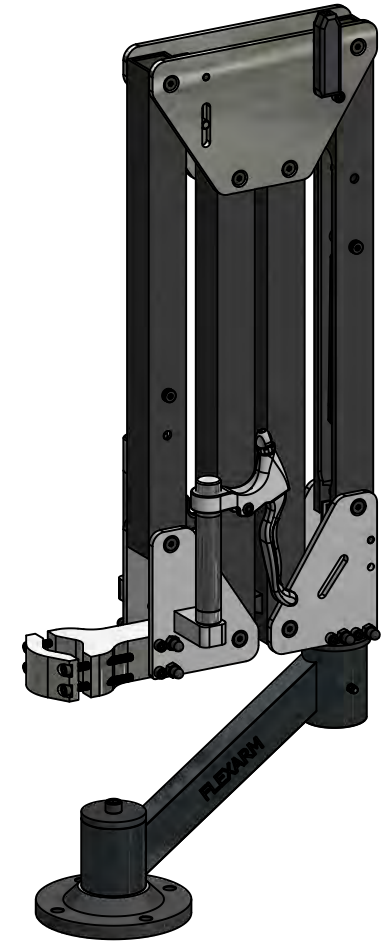


SECTION A-A



<i>Date:</i> 7/23/2020	<i>Tolerance:</i> .00.....±.010 DECIMAL: .000.....±.005 .0000.....±.0005	<i>Drawn By:</i> crieman	<i>Option No.:</i>
<i>Name:</i> S-36-L WORKING RANGE			
<i>Material Specs:</i>			<i>Sheet:</i> 1 OF 1
			<i>Part No.:</i> S-36-L