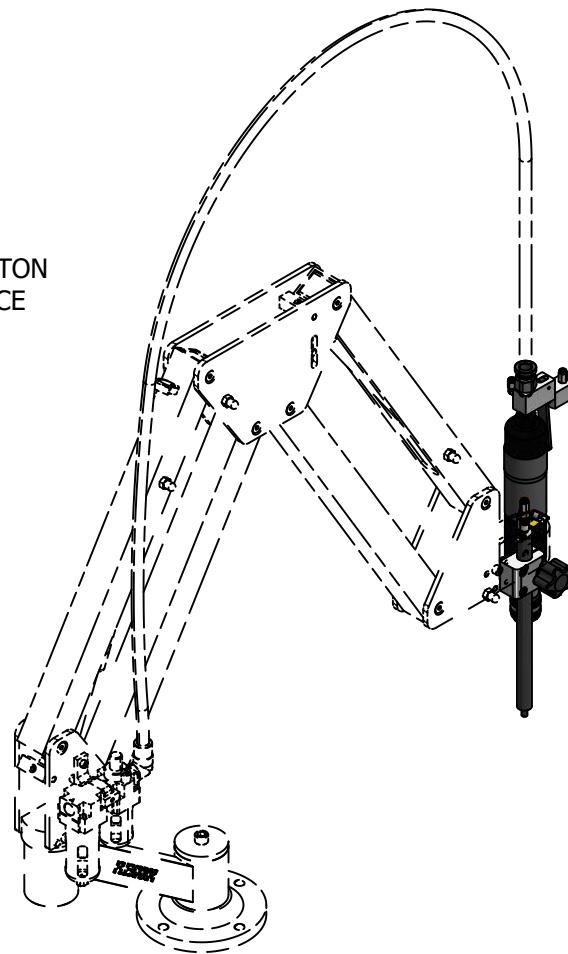


HANDLE PRESSES REVERSE BUTTON
WHEN FOOT HITS LEVEL SURFACE

ADJUST FLOW CONTROL TO
DETERMINE SPEED OF REVERSE

LOOSEN AND TIGHTEN KNOB TO ADJUST TO
DESIRED THREAD DEPTH

FOOT HITS HARD LEVEL SURFACE
AND SENDS MOTOR IN REVERSE



<i>Date:</i> 8/20/2020	<i>Tolerance:</i> .00.....±.010 DECIMAL: .000.....±.005 .0000.....±.0005	<i>Drawn By:</i> crieman	<i>Option No.:</i>
---------------------------	---	-----------------------------	--------------------

<i>Name:</i> Pnuematic Auto Depth Stop

<i>Material Specs:</i>	<i>Sheet:</i> 1 of 1
------------------------	-------------------------

Flex  arm [™] Tapping & Assembly Arm Solutions	<i>Part No.:</i> FX900090
--	-------------------------------------