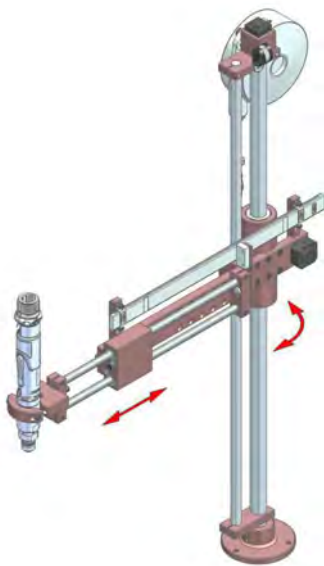
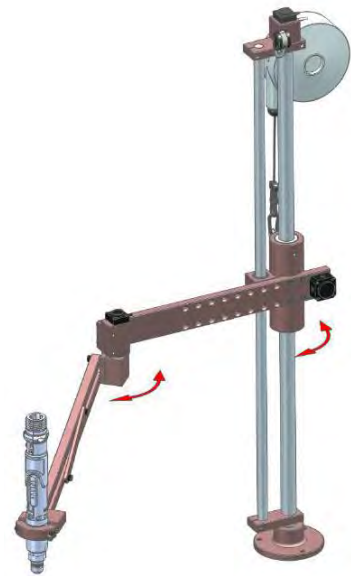


POSI-CONTROL System



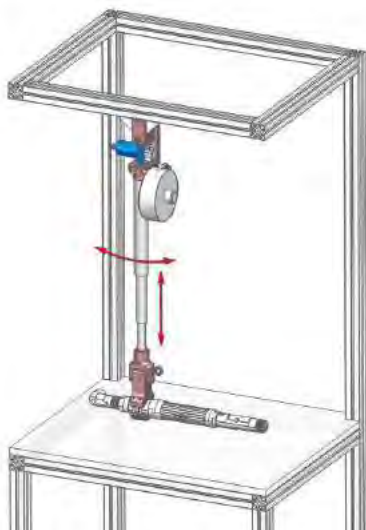
Linear arms BA...PC series



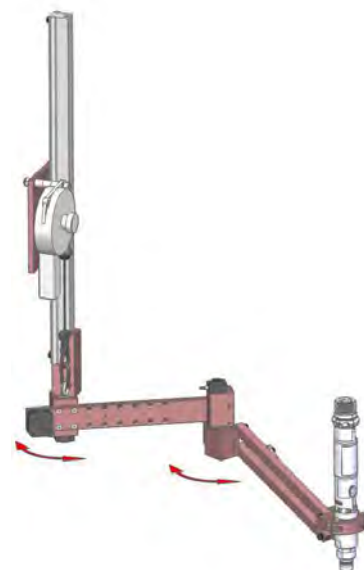
Articulated arms BA...RPC series



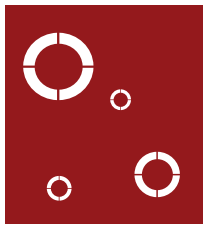
- Zero-fault process
- Error proofing
- Sequencing
- Suitable with air and electric tools
- Automated device management



Telescoping arms DMF...PC series

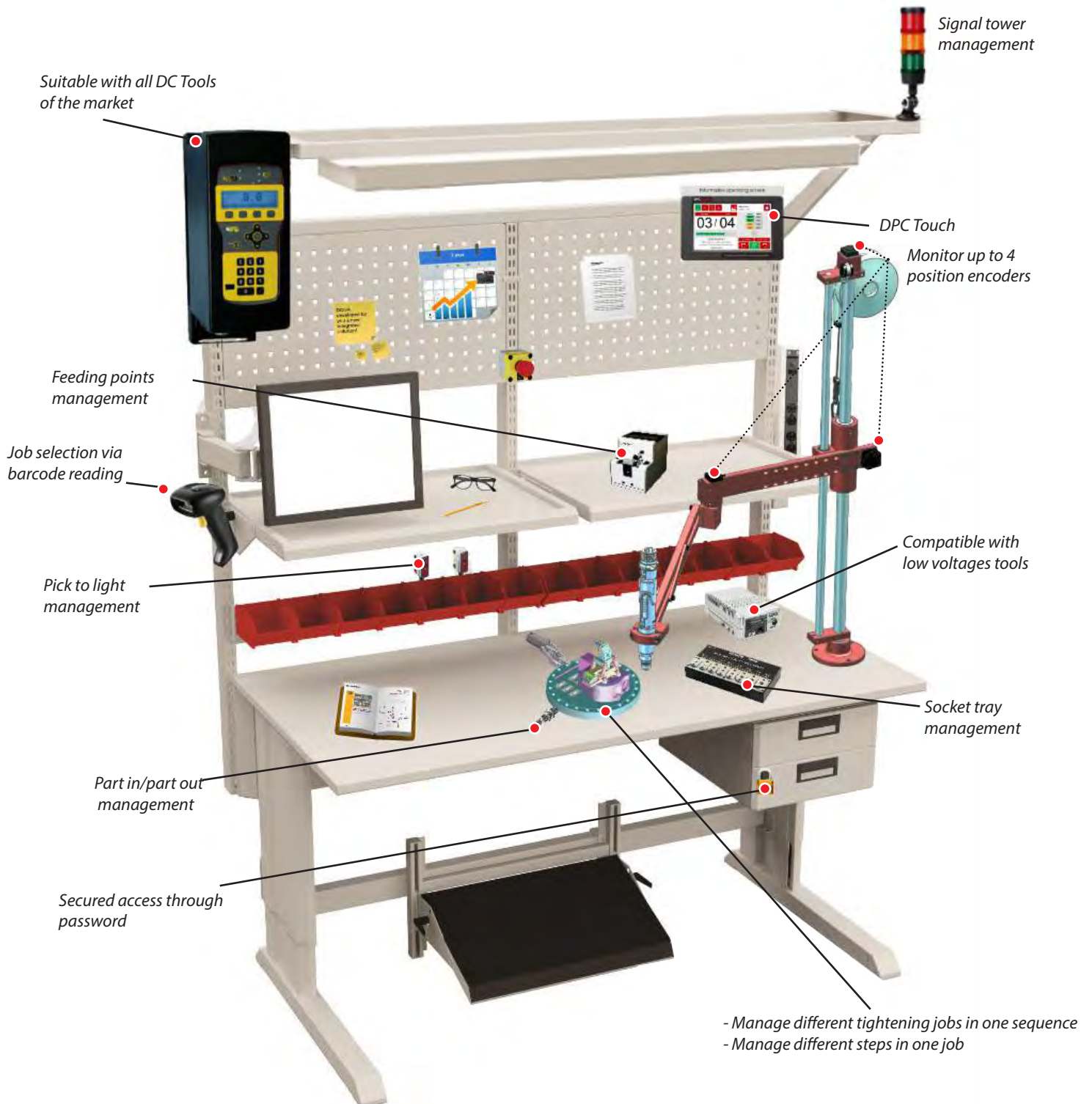


Suspended arms Slider BA...RPC series



POSI-CONTROL System

- Allows setup of customized logical sequences for fastenings, messages and I/O.
- More than a sequencing and Poka-Yoke controller the DPC Touch may easily manage the automation devices of your workstation on assembly line.



POSI-CONTROL DPC TOUCH

Powerful - user friendly - versatile



• **TECHNICAL FEATURES :**

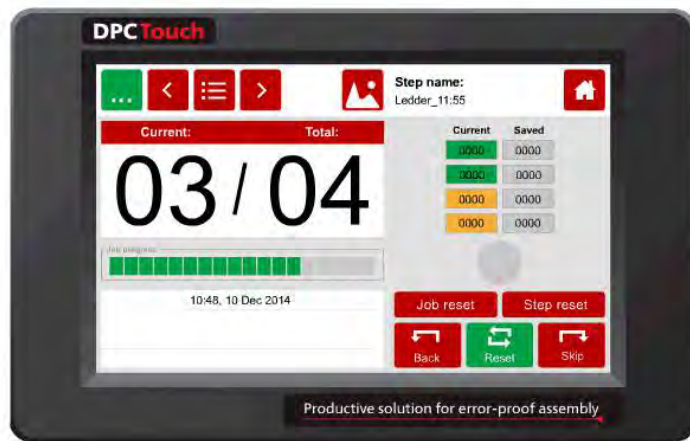
Dimensions : 202 x 127 x 38mm (8" x 5" x 1.5")

Weight : 550g (1.2lbs)

I/O : 12 inputs, 12 outputs, 24vdc

LCD screen : 7" touchscreen (800 x 480px)

Encoders : up to 4 encoders (0 - 5vdc)



Power supply

2 ports for low voltage screwdrivers

12 inputs/12 outputs (assignable)

Encoders port

RS232 port (firmware upgrade and bar code reading/Job selection)

• **Fast and powerful :**

- Proprietary operating system.
- Up to 255 programmable jobs !
- Up to 255 steps per jobs !
- Up to 99 positions per step !
- Up to 4 position encoder inputs.

• **Versatile :**

- Compatible with all DC Tools, low voltage and air tools.
- Poka-yoke (mistake-proofing) and/or sequence controller.
- Assignable I/O.
- Compatible with screw feeders.
- Open job structure allows customizable logic sequences.
- Management of automated devices.

• **User friendly :**

- Embedded software.
- Touch screen.
- Self-teaching sequencing.
- Smart tolerance detection.
- Process and sequence visualization with operator instructions.

Model	Code
DPC Touch	4-1290016
DPC Touch / GX, GY, DO, GA cable	4-1290008
DPC Touch / HD, SD cable	4-1290013
DPC Touch / Stanley TAU/THETA cable	4-5241036
DPC Touch / Stanley KAPPA ALPHA IV cable	4-5241050
DPC Touch / Stanley ALPHA V cable	4-5241051
DB9 3m/free wires (4 outputs/3 inputs) cable	4-5200542
DB25 3m/free wires (9 outputs/12 inputs) cable	4-5200770
DB44 3m/free wires (12 outputs/12 inputs) cable	4-1290009
Air kit for pneumatic tool / DPC Touch	4-5200771
Firmware upgrade kit	4-1290023
DPC Touch cable/2 arms	4-5200012
DPC Touch cable/MDC	4-1252006
Adapter cable I/O44P/25P+9P	4-1290007