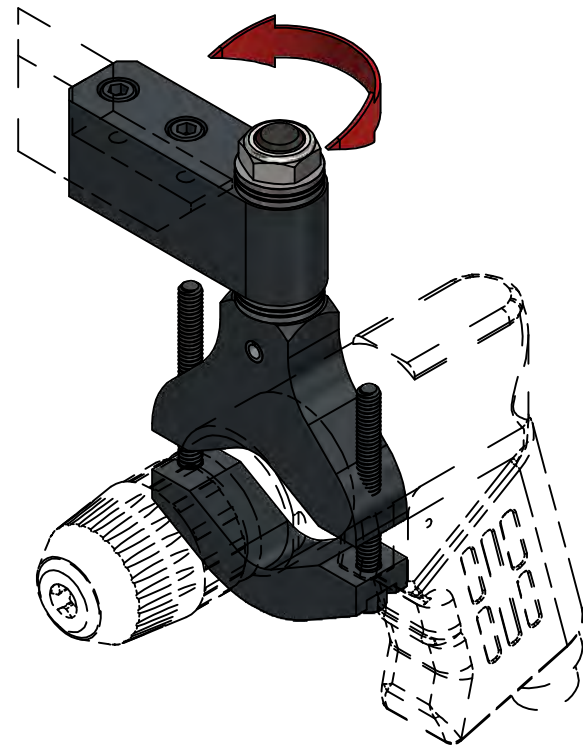
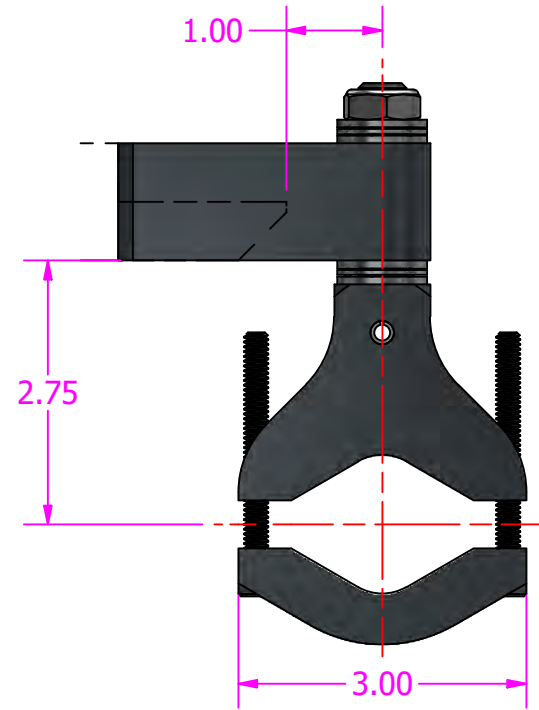
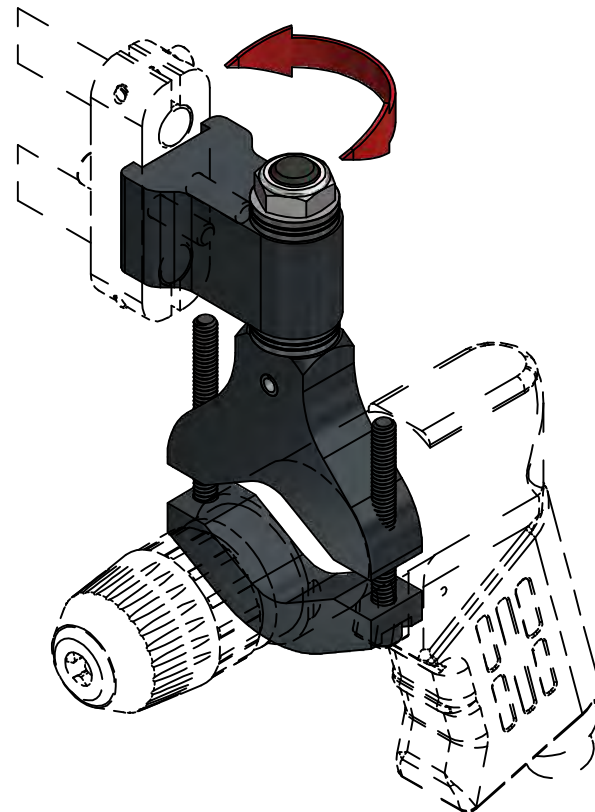
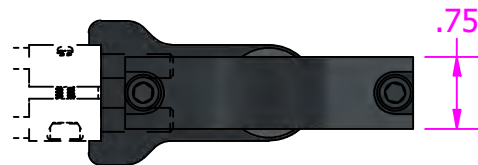
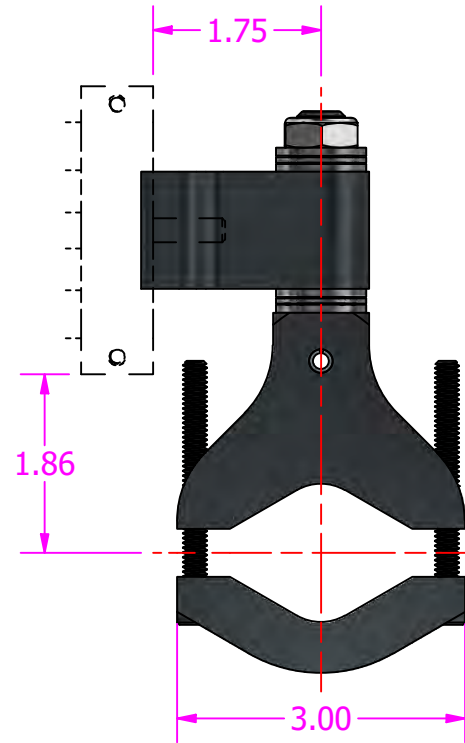


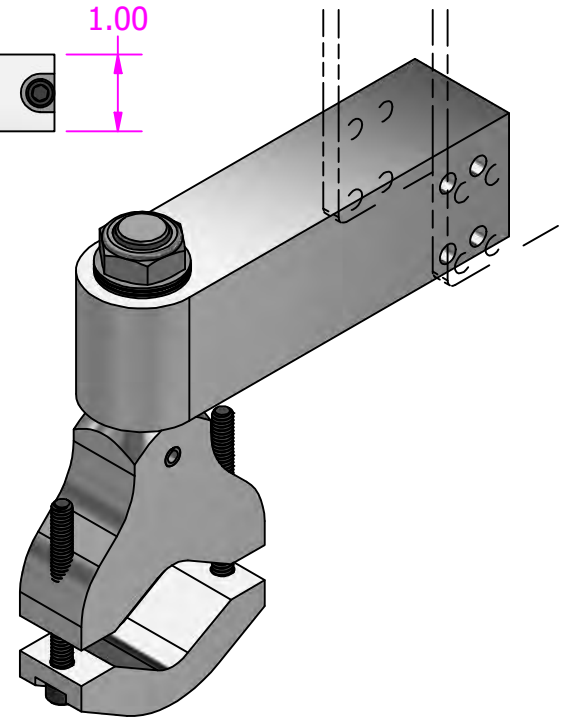
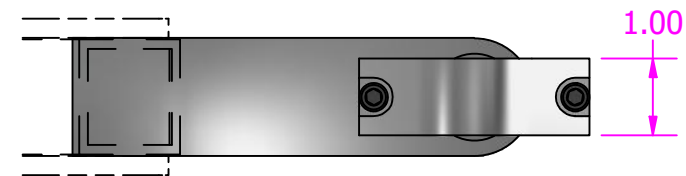
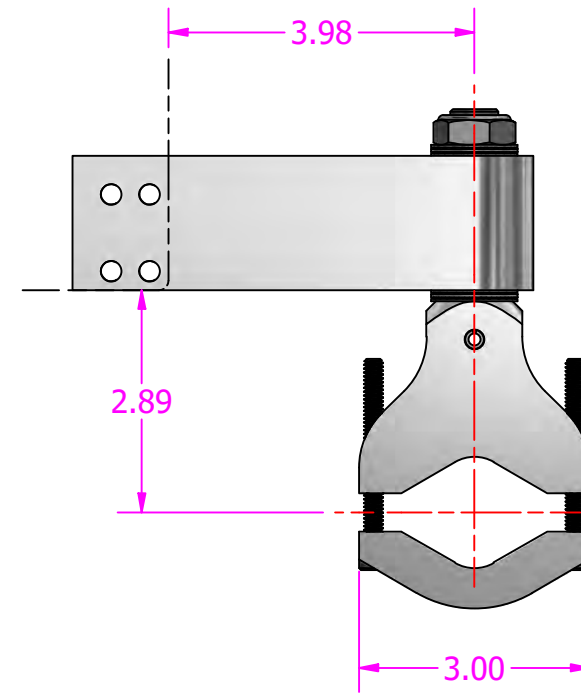
AR-40



LR-40



S-36 & M-60



V-BLOCK FITS TOOL
Ø1.00" - Ø2.25"

Date: 7/17/2020	Tolerance: <small>.00.....±.010 DECIMAL: .000.....±.005 .0000.....±.0005</small>	Drawn By: Cylar	Option No.:
Name: Pistol Grip V-Block			Sheet: 1 OF 1
Material Specs:			Part No.: