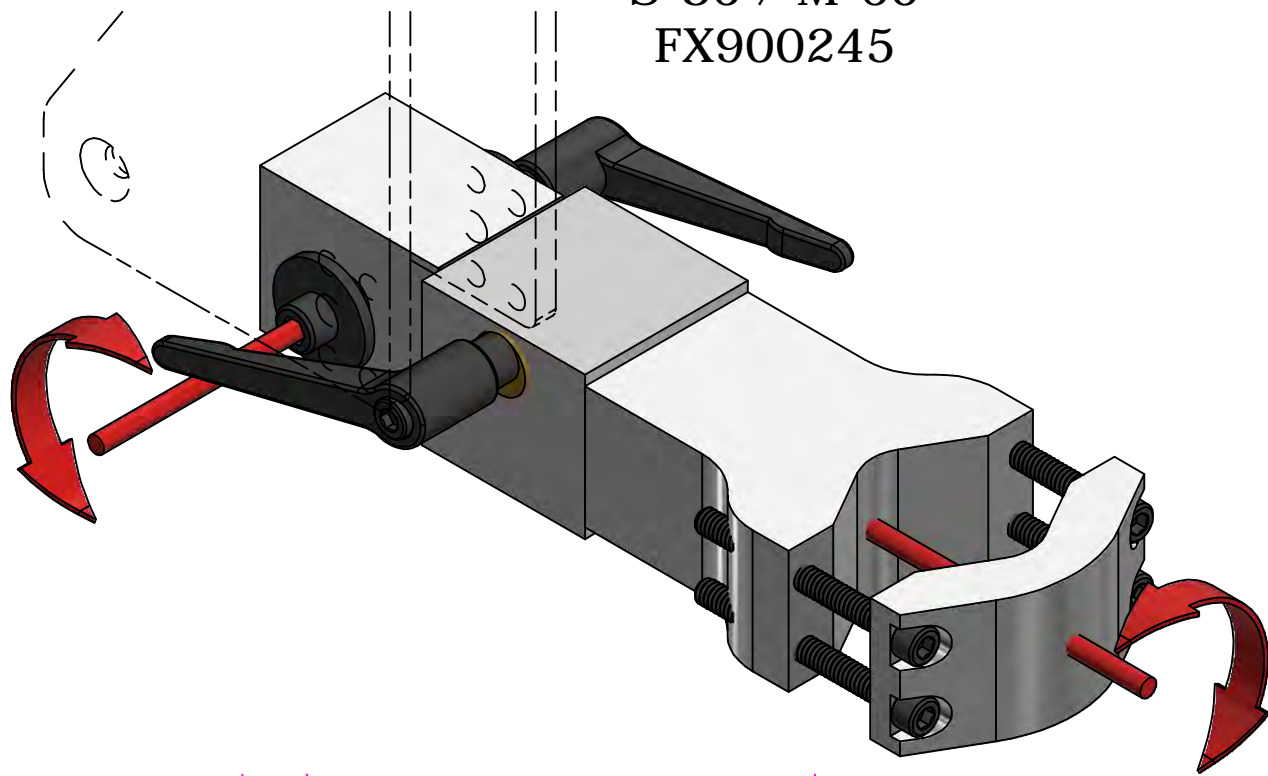
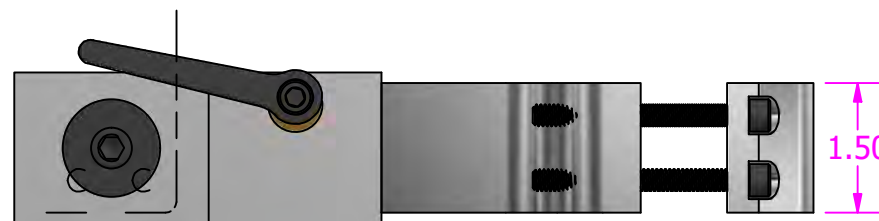
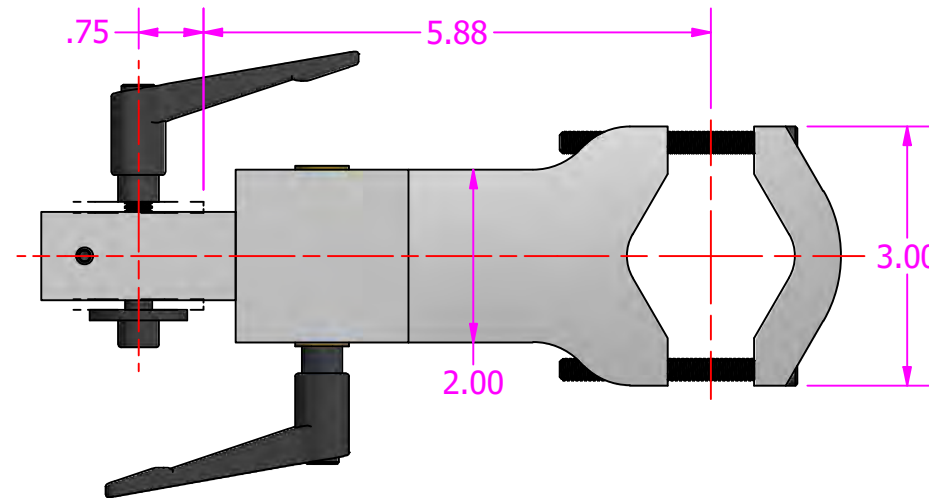
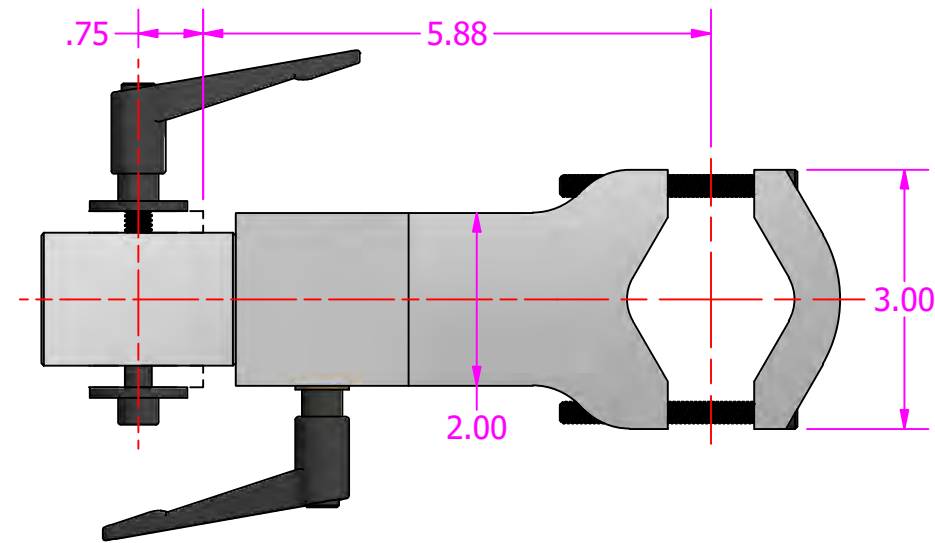
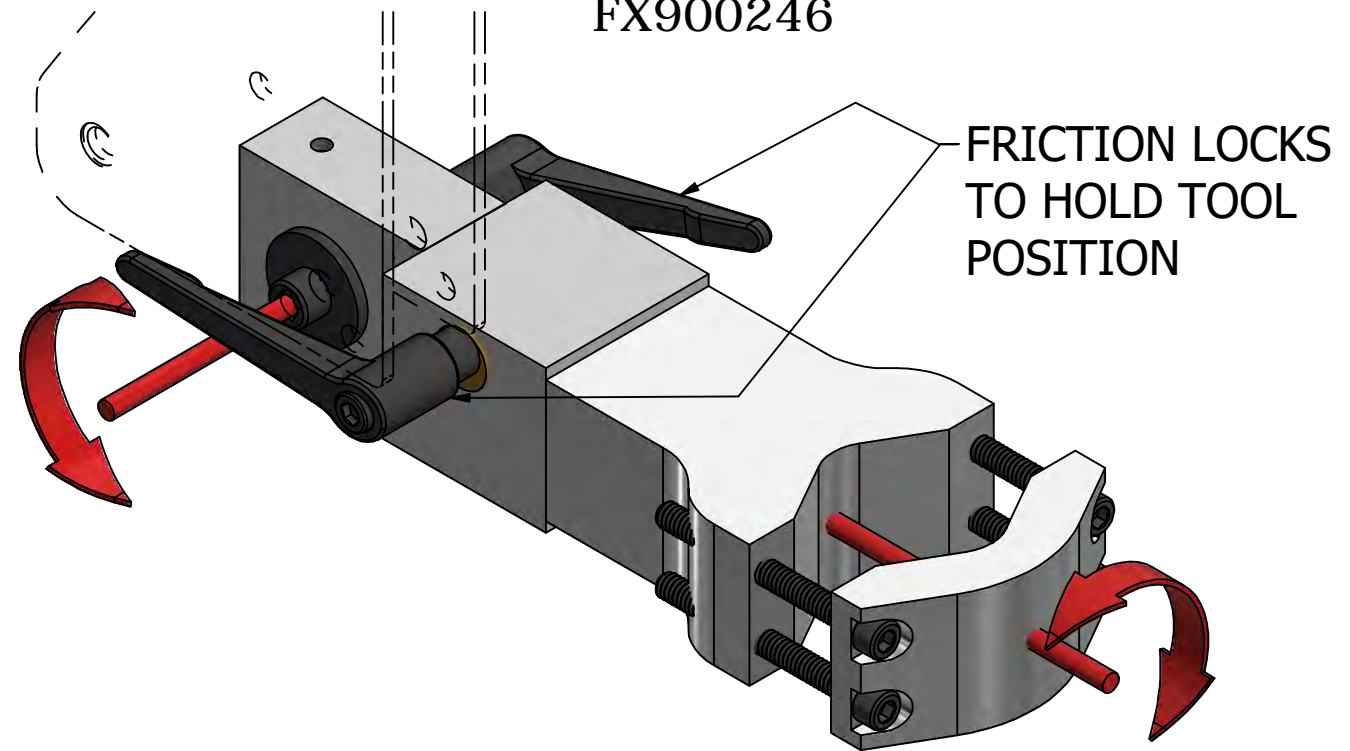


S-36 / M-60
FX900245



FAV-14 / CVA-10
FX900246



NOTES:
-V-BLOCK FITS TOOL
Ø1.00" - Ø2.25"
-MULTI-HEAD ALLOWS
TOOL TO BE USED IN
HORIZONTAL OR
VERTICAL ORIENTATION

<i>Date:</i> 7/17/2020	<i>Tolerance:</i> DECIMAL: .00.....±.010 .000.....±.005 .0000.....±.0005	<i>Drawn By:</i> Cyler	<i>Option No.:</i>
<i>Name:</i> Multi-Head Tool Holder			<i>Sheet:</i> 1 OF 1
<i>Material Specs:</i>			<i>Part No.:</i>
