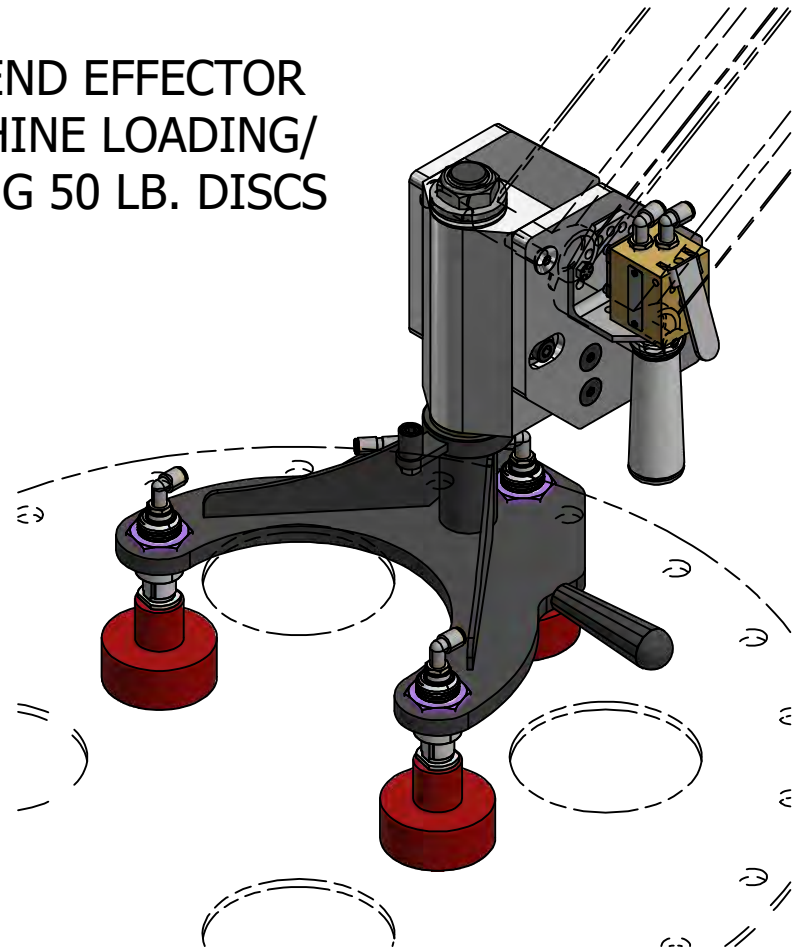



MAGNET END EFFECTOR  
FOR MACHINE LOADING/  
UNLOADING 50 LB. DISCS



MAGNET END EFFECTOR FOR  
CASTINGS, CYLINDERS ON TOP  
ADD VERTICAL STROKE TO  
THE PM-RNR MODEL ARM

<i>Date:</i> 7/17/2020	<i>Tolerance:</i> .00.....±.010 DECIMAL: .000.....±.005 .0000.....±.0005	<i>Drawn By:</i> Cyler	<i>Option No.:</i> PM
<i>Name:</i> PM CUSTOM MAGNET END EFFECTORS			
<i>Material Specs:</i>			<i>Sheet:</i> 1 OF 1
 Tapping & Assembly Arm Solutions		<i>Part No.:</i> PM	