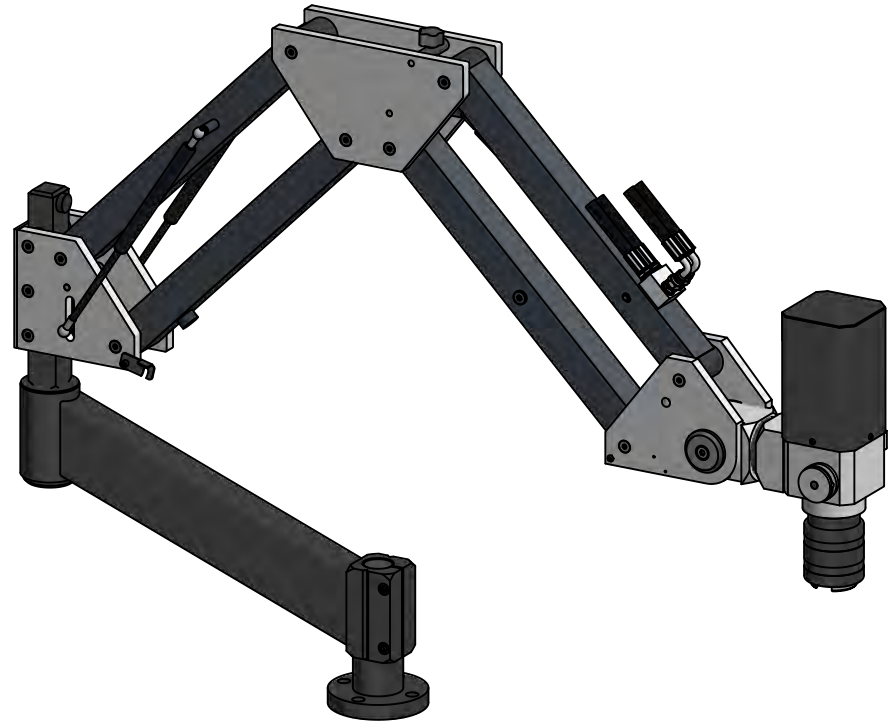
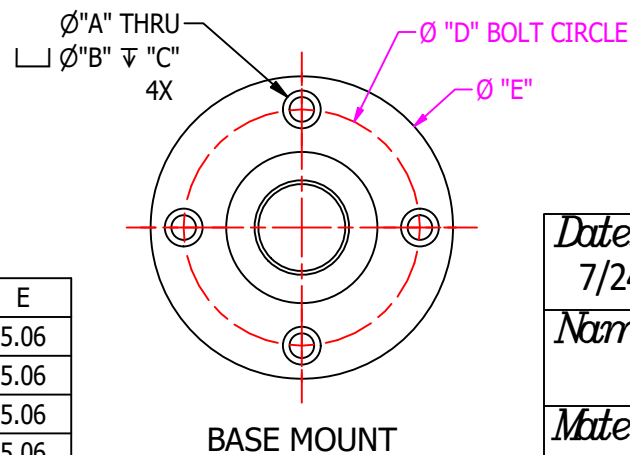


HORIZONTAL USE

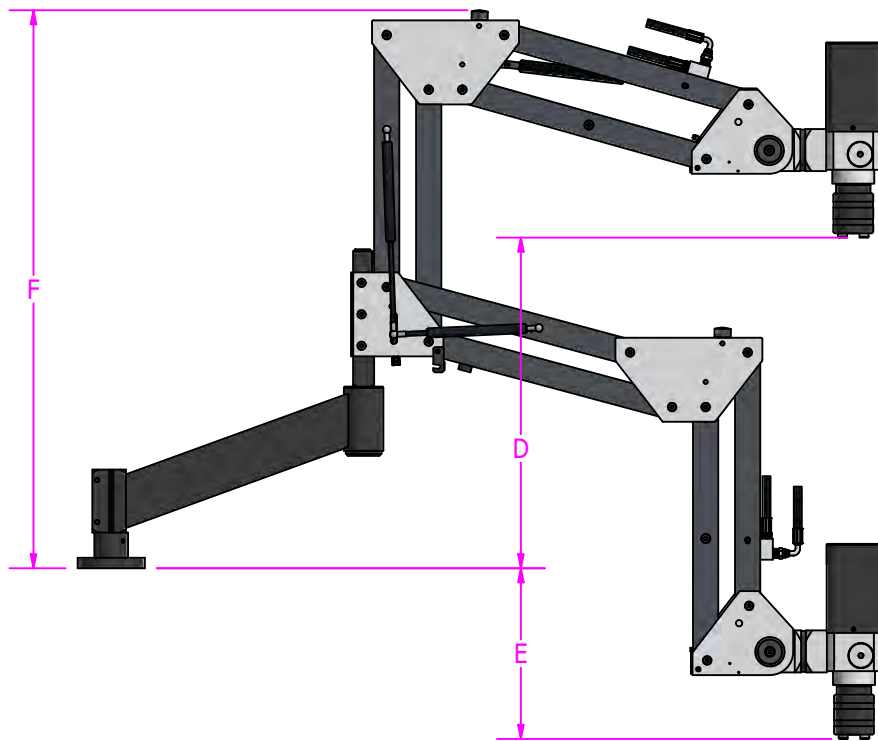
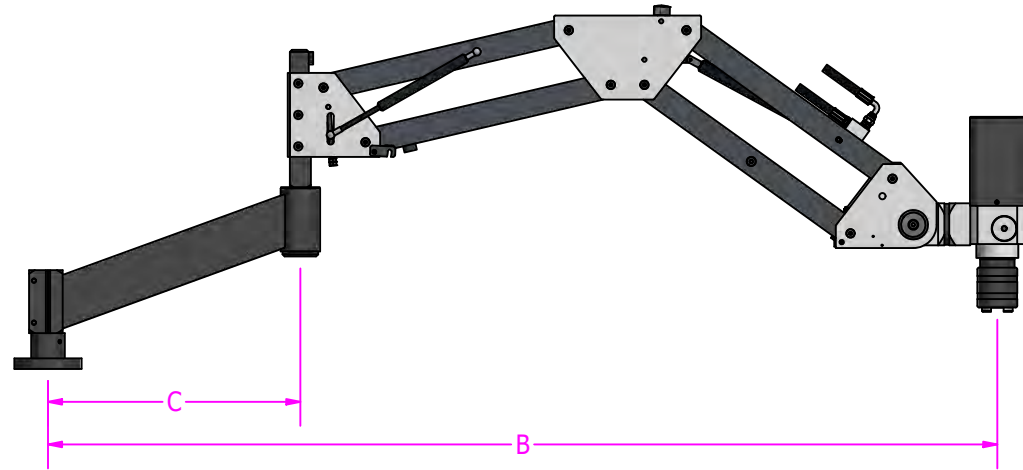
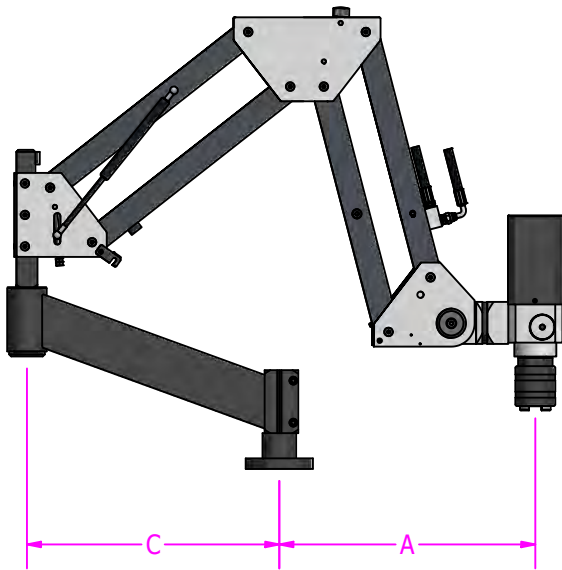


VERTICAL USE




	A	B	C	D	E
RNRM-20	.433	.709	.394	3.953	5.06
GHM-18	.433	.709	.394	3.953	5.06
GHM-24	.433	.709	.394	3.953	5.06
GHM-30	.433	.709	.394	3.953	5.06
GHM-45	.413	.709	.236	4.528	6.3
GHM-60	.512	.787	.512	4.92	6.3

<i>Date:</i> 7/24/2020	<i>Tolerance:</i> .00.....±.010 DECIMAL: .000.....±.005 .0000.....±.0005	<i>Drawn By:</i> crieman	<i>Option No:</i>
<i>Name:</i> MULTIHEAD TAPPING ARMS WORKING RANGE			
<i>Material Specs:</i>			<i>Sheet:</i> 1 OF 2
		<i>Part No:</i> MULTIHEAD TAPPING ARMS	



	A	B	C	D	E	F
RNRM-20	22	78	17.36	34	17	44.5
GHM-18	22	78	17.36	34	17	44.5
GHM-24	22	78	17.36	34	17	44.5
GHM-30	22	78	17.36	34	17	44.5
GHM-45	23	81	23.84	32	16.5	49.5
GHM-60	24	89	23.7	31	16	52

<i>Date:</i> 7/24/2020	<i>Tolerance:</i> .00.....±.010 DECIMAL: .000.....±.005 .0000.....±.0005	<i>Drawn By:</i> crieman	<i>Option No:</i>
<i>Name:</i> MULTIHEAD TAPPING ARMS WORKING RANGE			
<i>Material Specs:</i>			<i>Sheet:</i> 2 OF 2
		<i>Part No:</i> MULTIHEAD TAPPING ARMS	