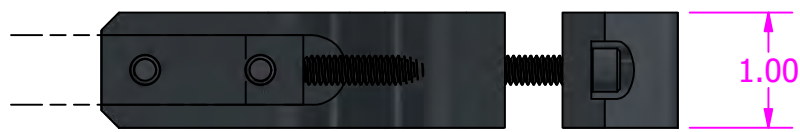
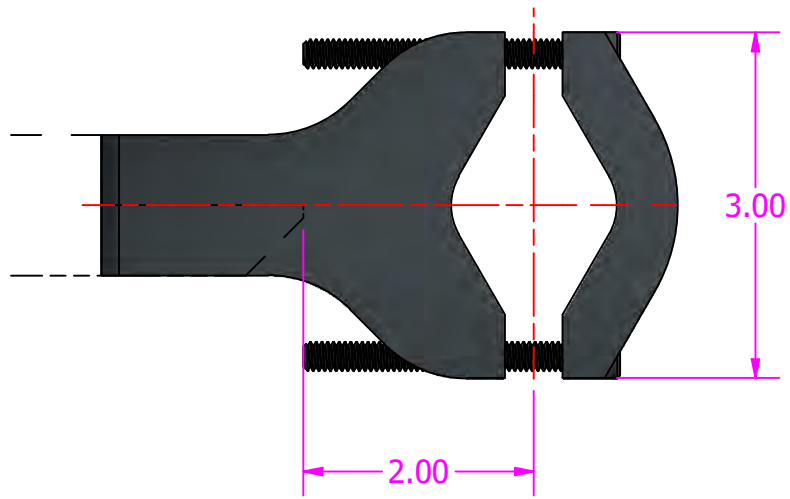
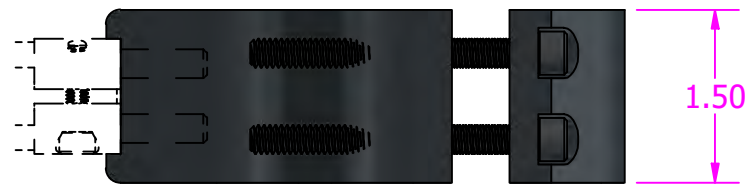
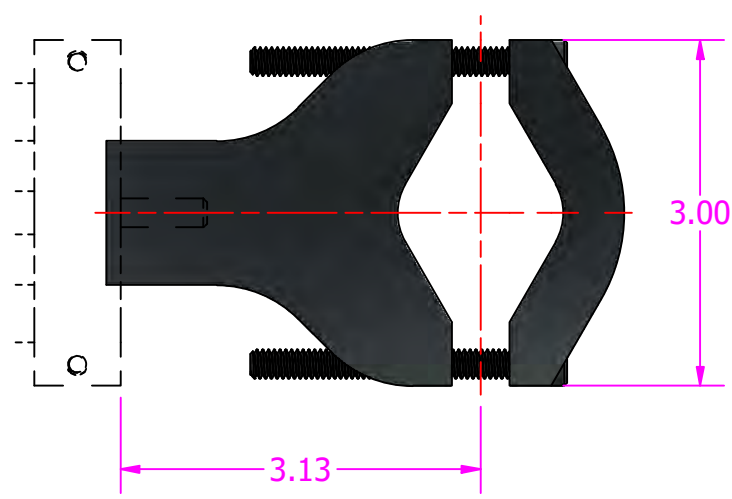


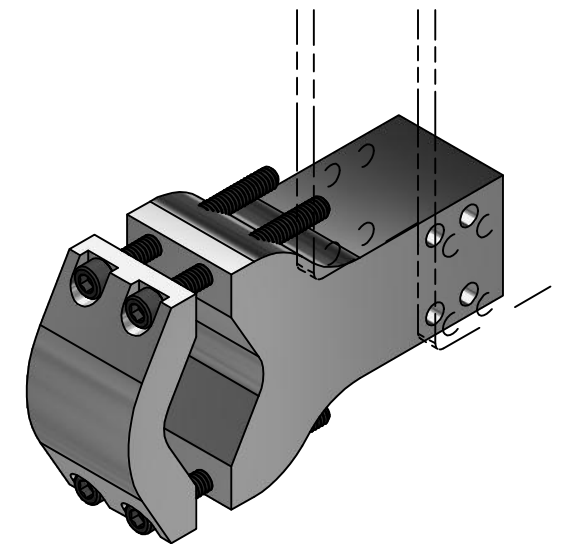
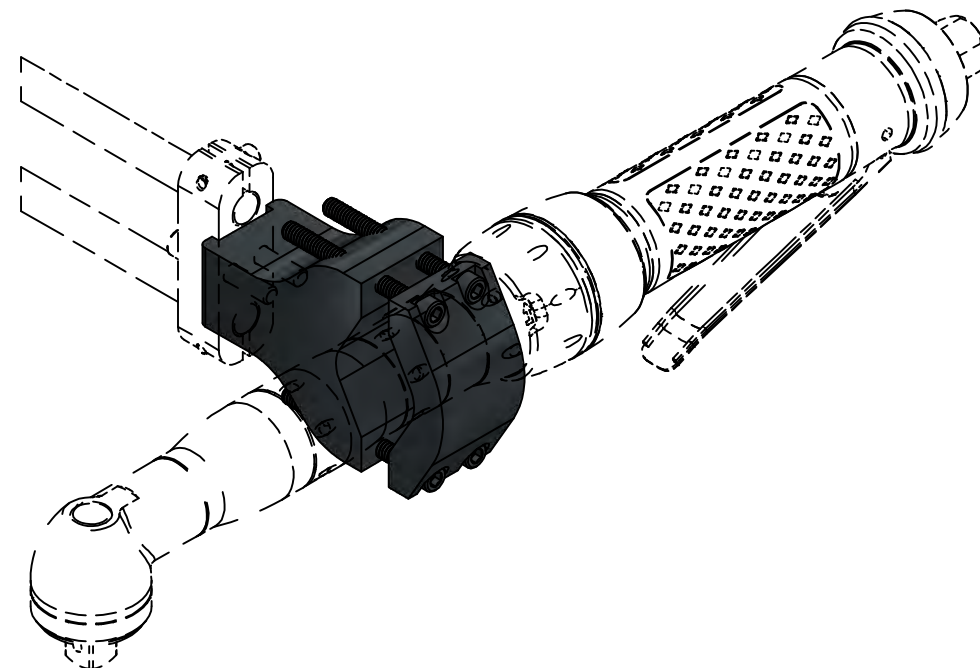
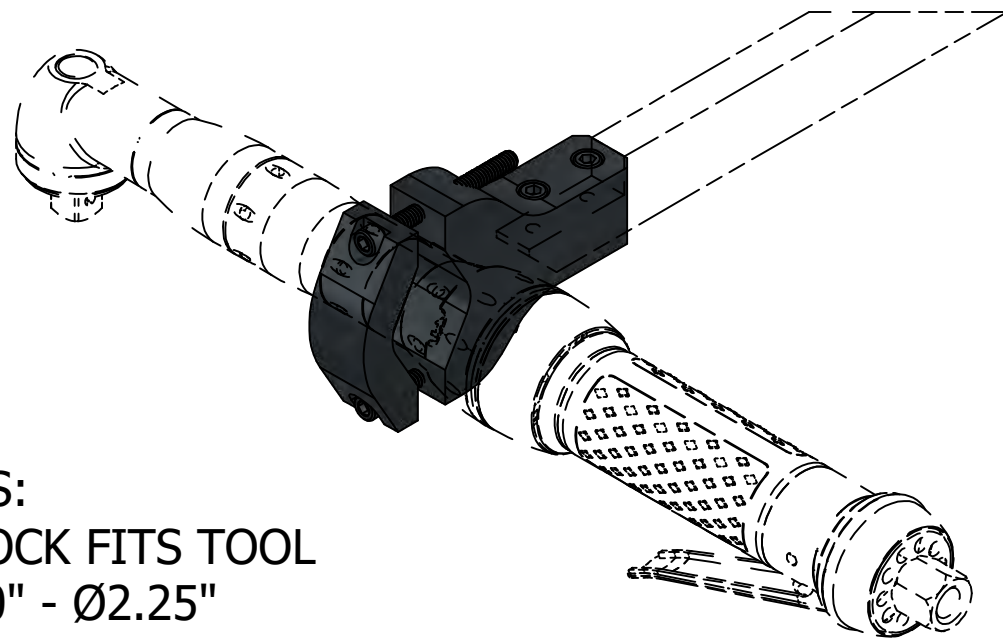
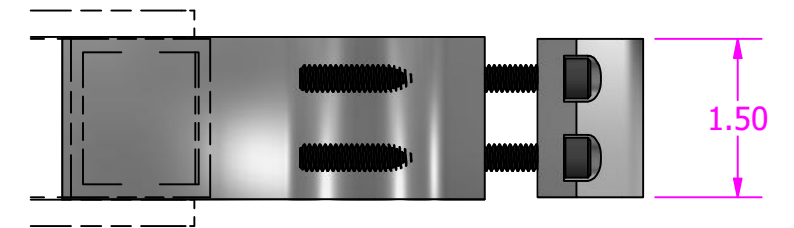
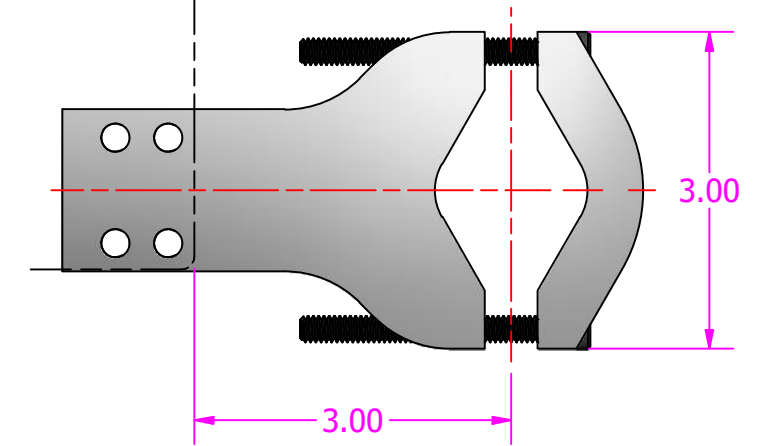
AR-40



LR-40



S-36 & M-60



NOTES:
 -V-BLOCK FITS TOOL
 Ø1.00" - Ø2.25"
 -VERTICAL-DOWN
 FASTENING WITH
 90° NUTRUNNER

Date: 7/17/2020	Tolerance: <small>.00.....±.010 DECIMAL: .000.....±.005 .0000.....±.0005</small>	Drawn By: Cyler	Option No.:
Name: Horizontal V-Block			
Material Specs:			Sheet: 1 OF 1
Flex Arm Tapping & Assembly Arm Solutions		Part No.:	