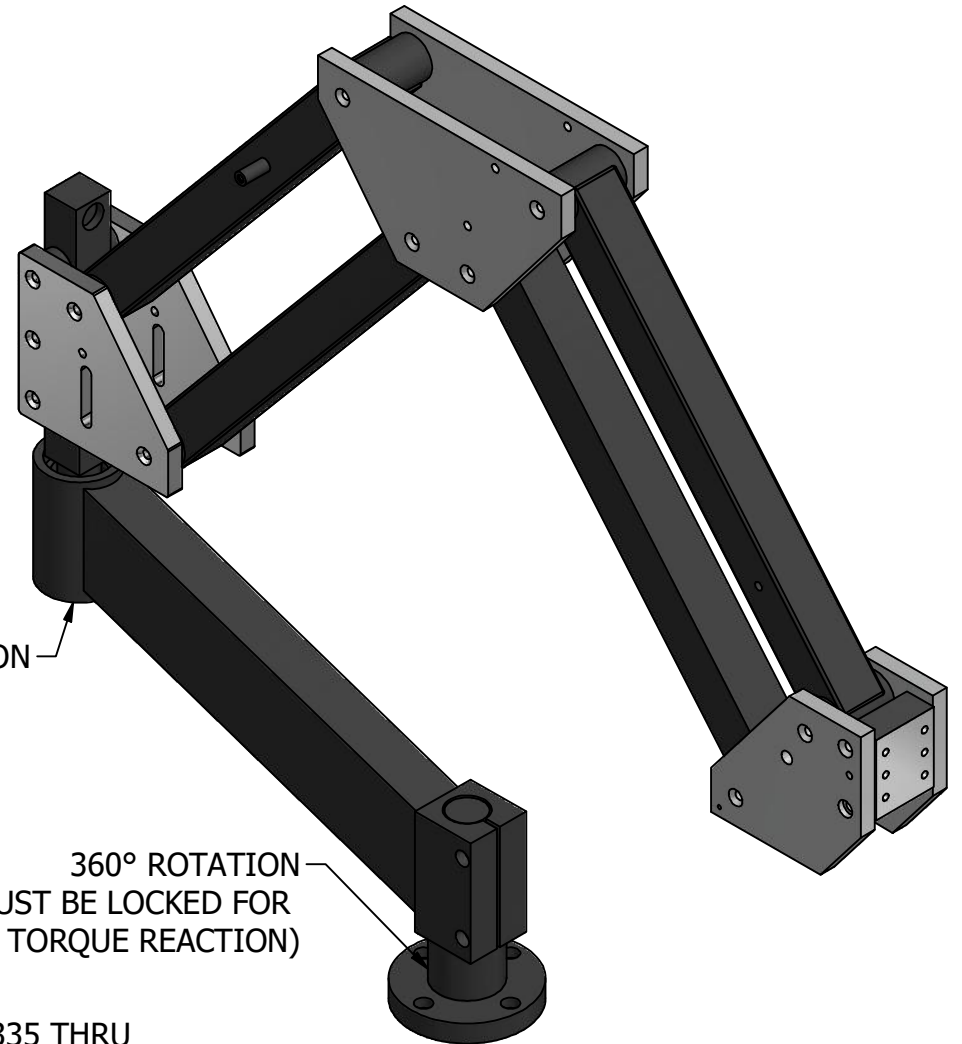
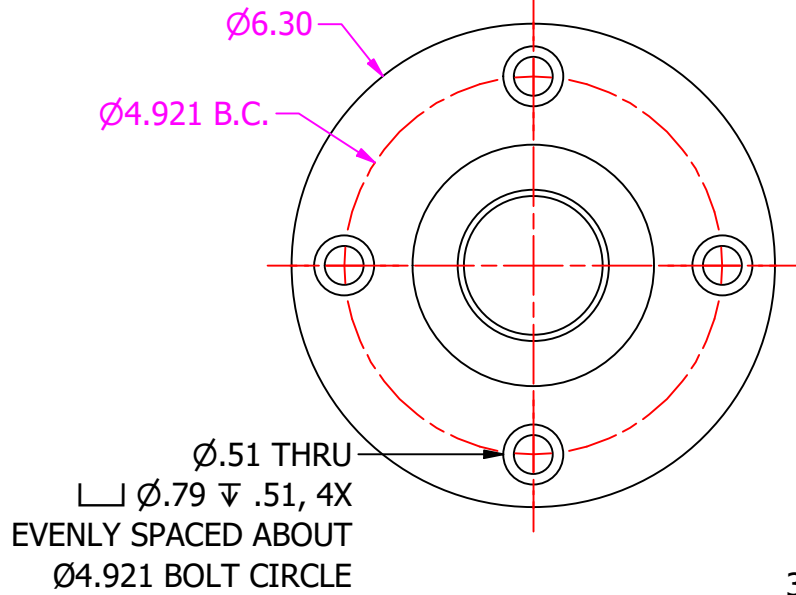
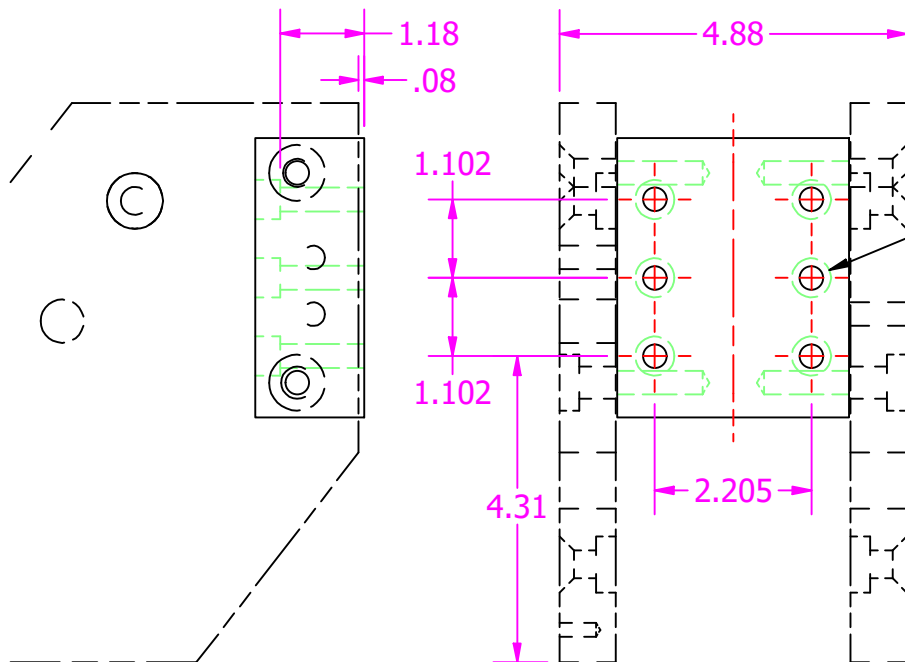


BASE MOUNT




FRONT BLOCK MOUNT

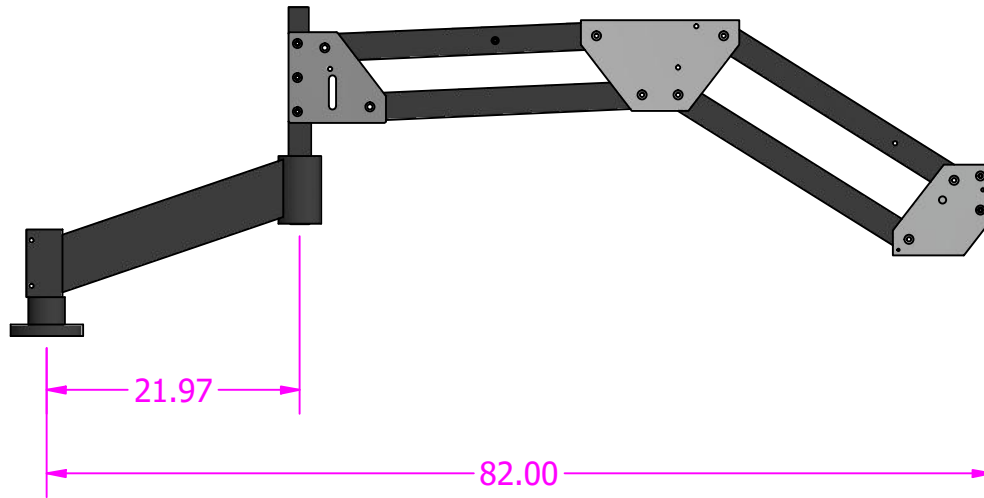


360° ROTATION
(MUST BE LOCKED FOR TORQUE REACTION)

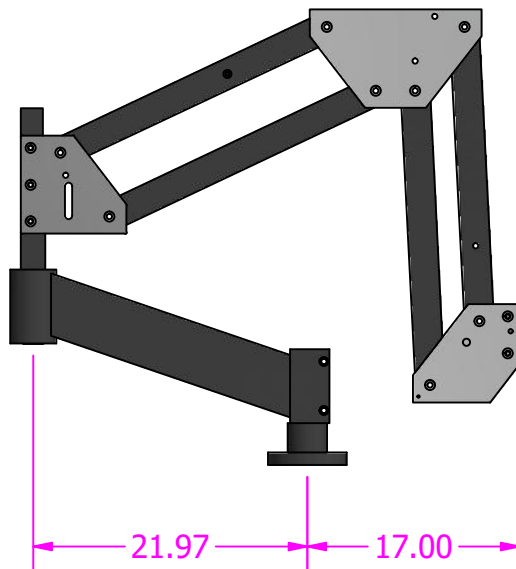
$\text{Ø}.335 \text{ THRU}$
 $\text{Ø}.551 \text{ } \nabla .354, 6\text{X}$

<i>Date:</i> 8/3/2020	<i>Tolerance:</i> .00.....±.010 DECIMAL: .000.....±.005 .0000.....±.0005	<i>Drawn By:</i> Cyler	<i>Option No.:</i>
<i>Name:</i> G-60 (ARM ONLY) WORKING RANGE			
<i>Material Specs:</i>			<i>Sheet:</i> 1 OF 2
Flex  arm [™] Tapping & Assembly Arm Solutions		<i>Part No.:</i>	

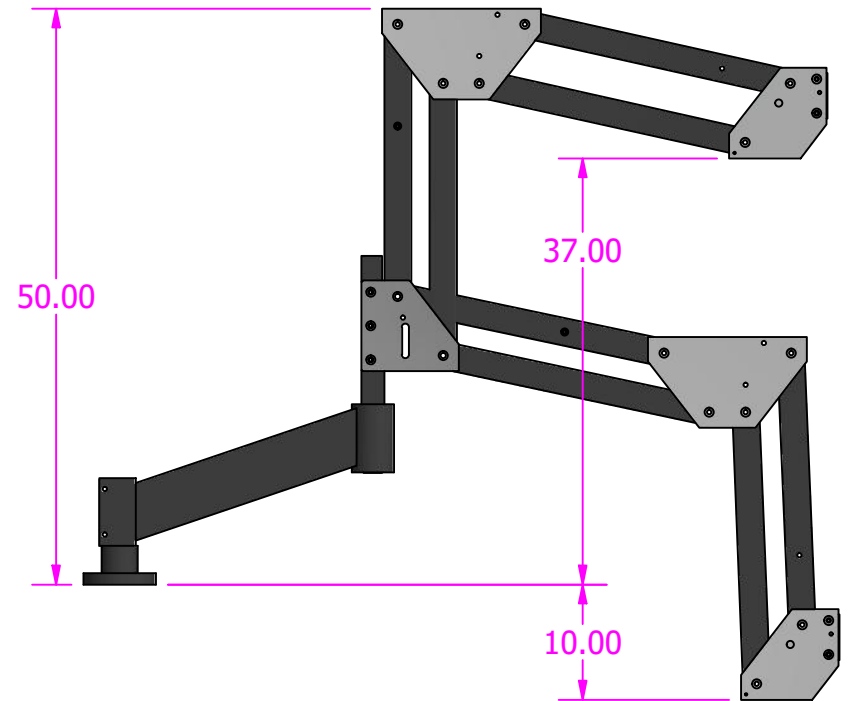
MAX REACH




MIN REACH



VERTICAL STROKE



<i>Date:</i> 8/3/2020	<i>Tolerance:</i> .00.....±.010 DECIMAL: .000.....±.005 .0000.....±.0005	<i>Drawn By:</i> Cyler	<i>Option No.:</i>
<i>Name:</i> G-60 (ARM ONLY) WORKING RANGE			
<i>Material Specs:</i>			<i>Sheet:</i> 2 OF 2
		<i>Part No.:</i>	