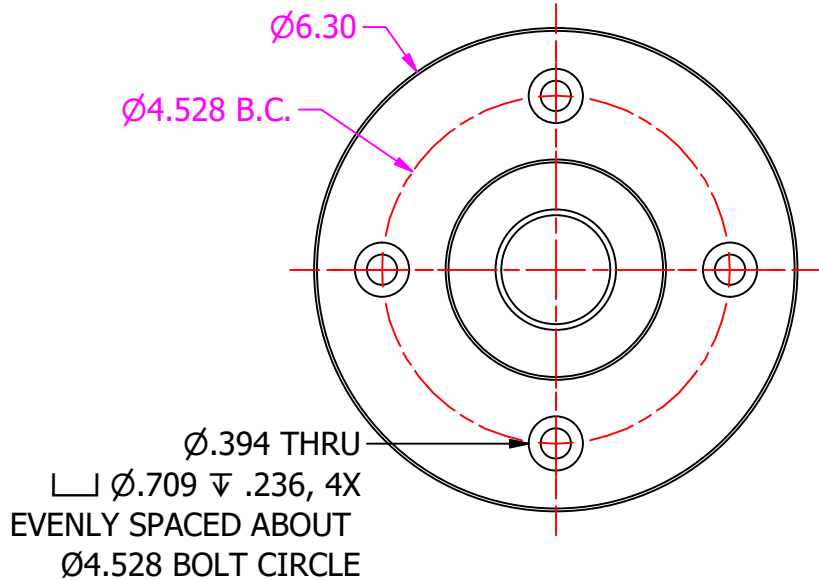
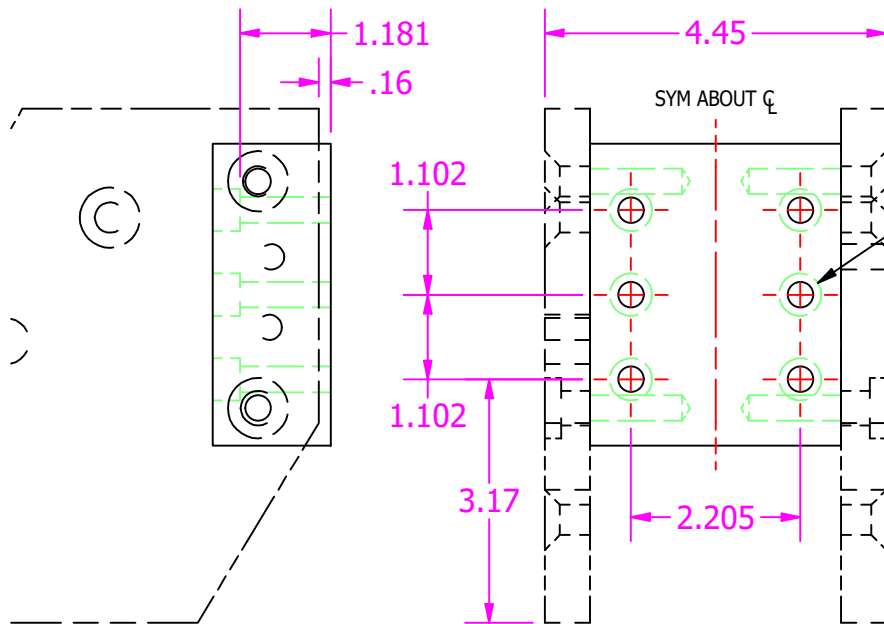


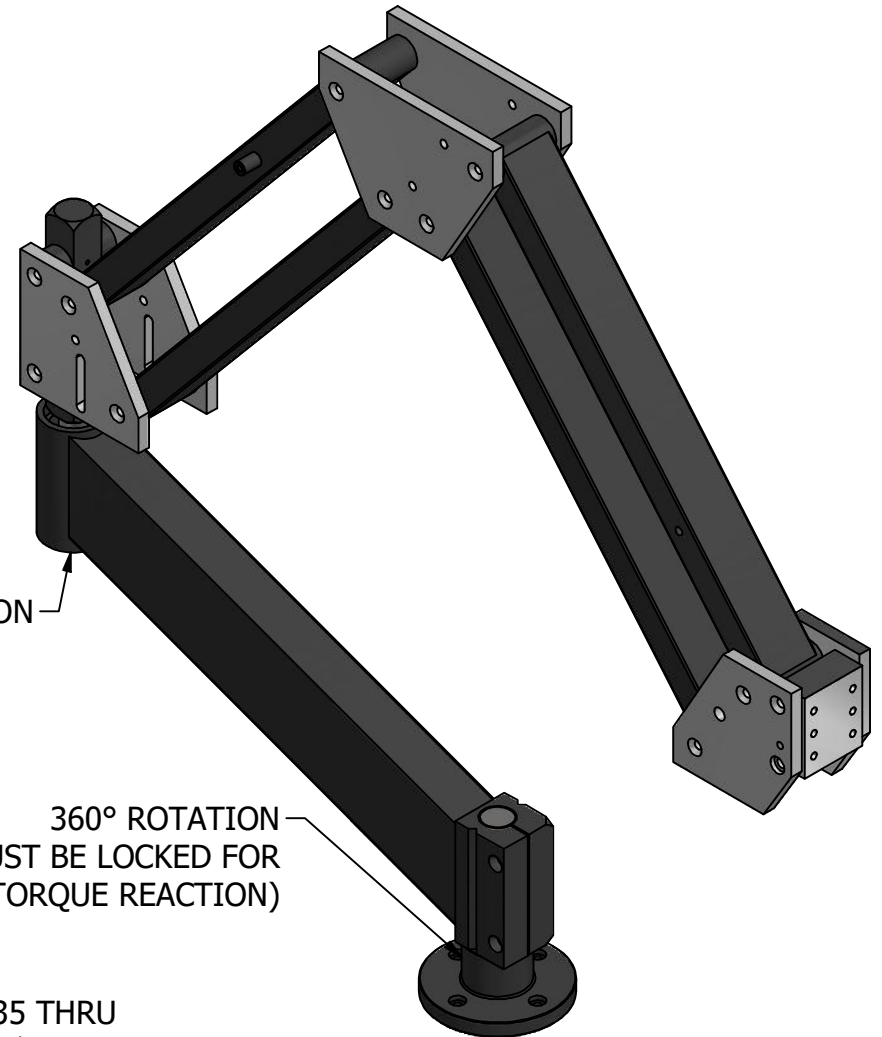
BASE MOUNT



FRONT BLOCK MOUNT

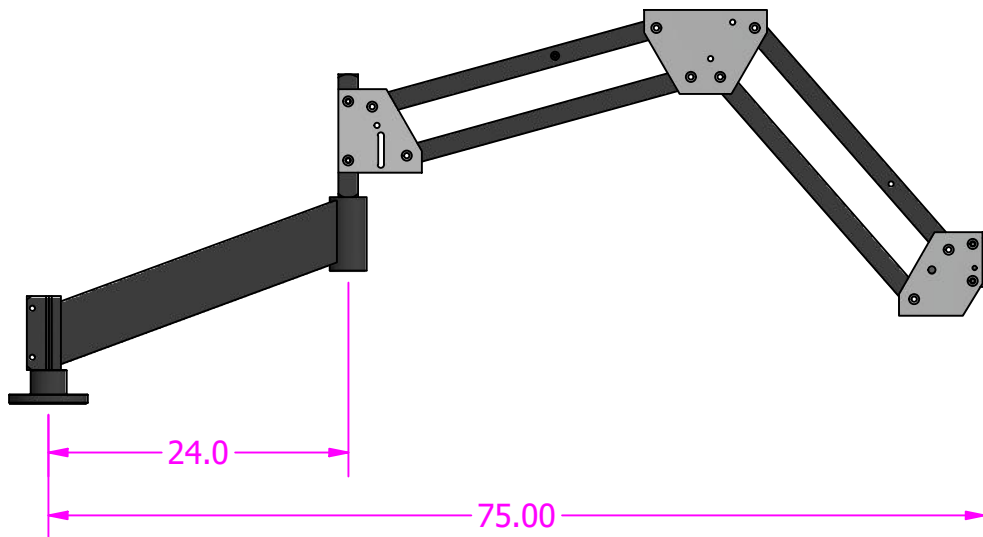


360° ROTATION

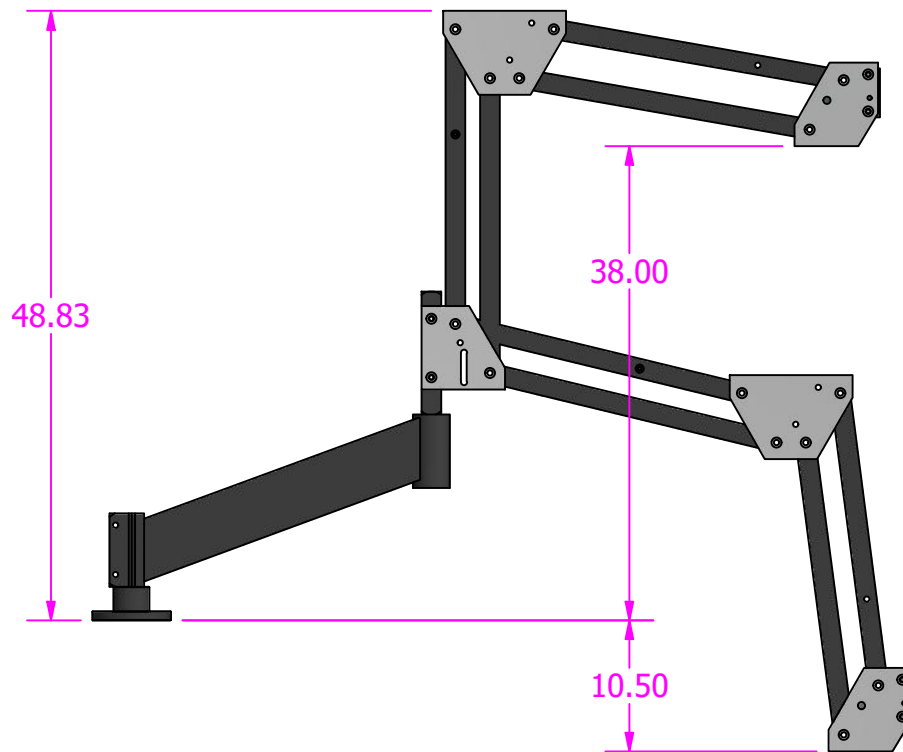


| | | | |
|---|---|---------------------------|-------------------------|
| <i>Date:</i> 8/3/2020 | <i>Tolerance:</i> .00.....±.010 DECIMAL: .000.....±.005 .0000.....±.0005 | <i>Drawn By:</i> Cyler | <i>Option No.:</i> |
| <i>Name:</i> G-36 (ARM ONLY) WORKING RANGE | | | |
| <i>Material Specs:</i> | | | <i>Sheet:</i> 1 OF 2 |
| | | | <i>Part No.:</i> |

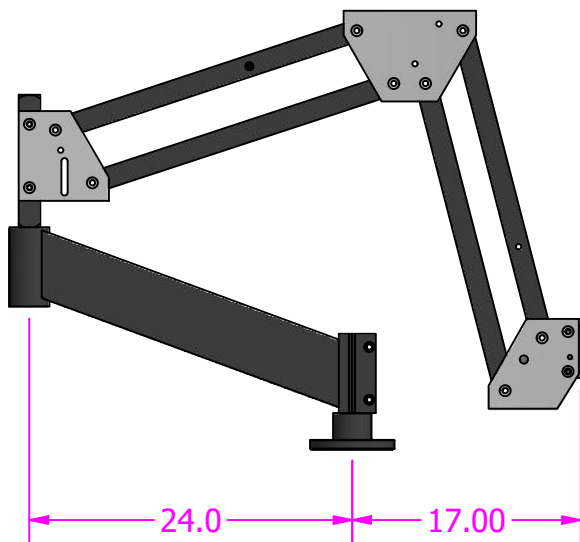
MAX REACH



VERTICAL STROKE



MIN REACH



| | | | |
|---|---|---------------------------|-------------------------|
| <i>Date:</i> 8/3/2020 | <i>Tolerance:</i> .00.....±.010 DECIMAL: .000.....±.005 .0000.....±.0005 | <i>Drawn By:</i> Cyler | <i>Option No.:</i> |
| <i>Name:</i> G-36 (ARM ONLY) WORKING RANGE | | | |
| <i>Material Specs:</i> | | | <i>Sheet:</i> 2 OF 2 |
| | | <i>Part No.:</i> | |