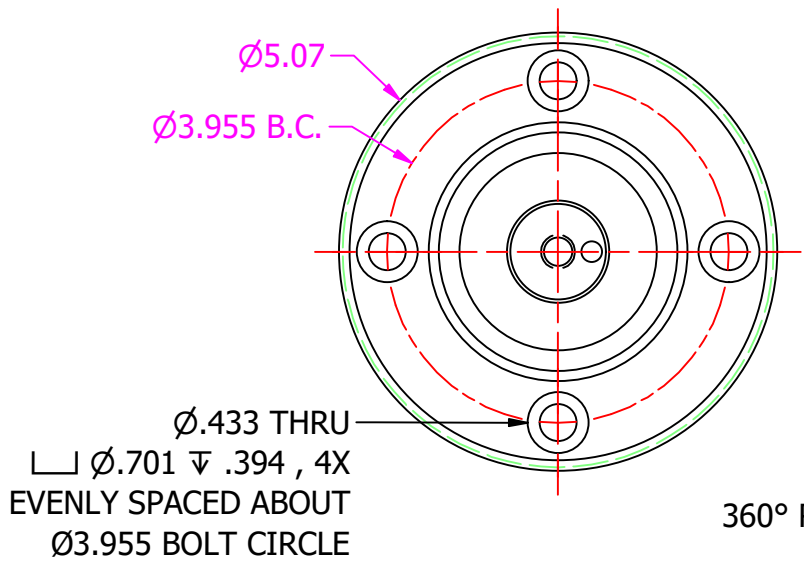
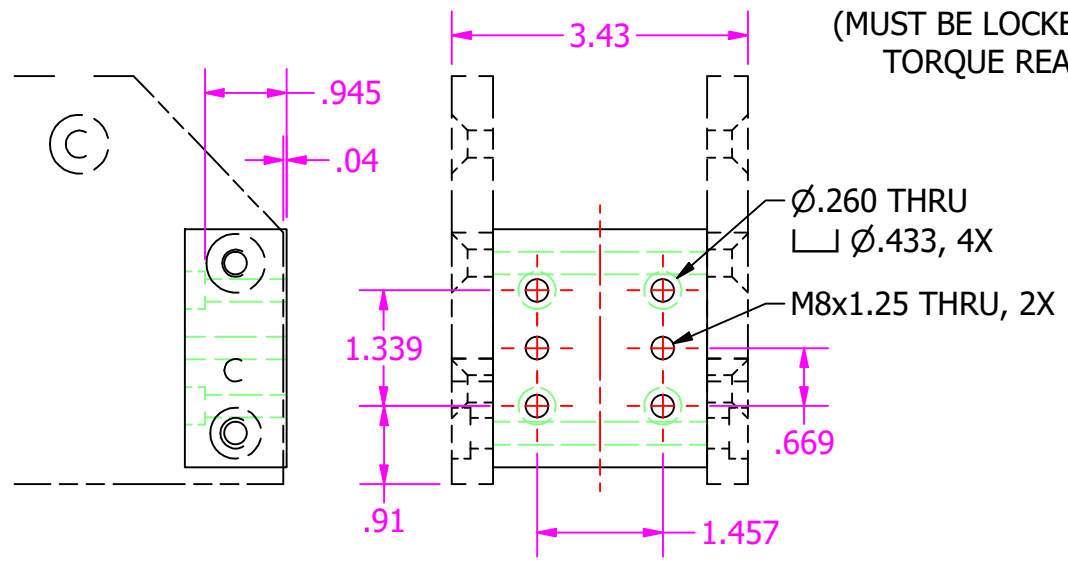


### BASE MOUNT

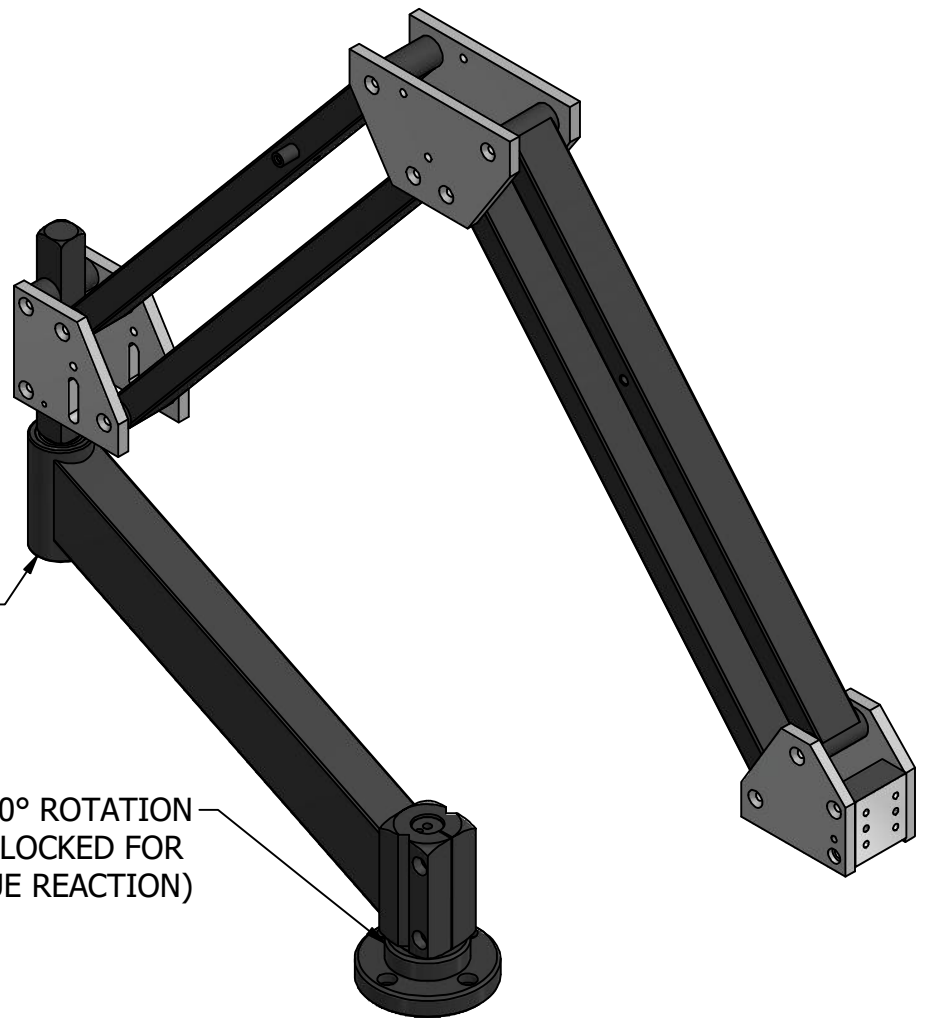


360° ROTATION

### FRONT BLOCK MOUNT

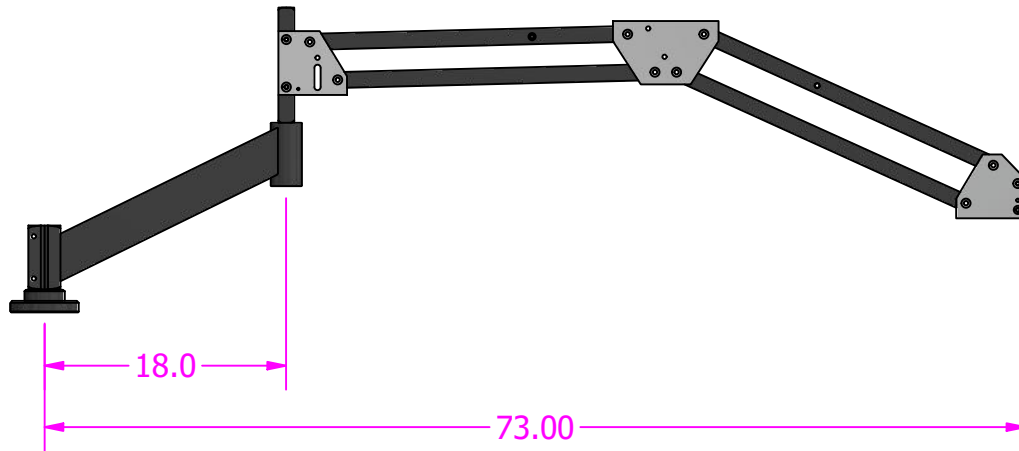


360° ROTATION  
(MUST BE LOCKED FOR TORQUE REACTION)

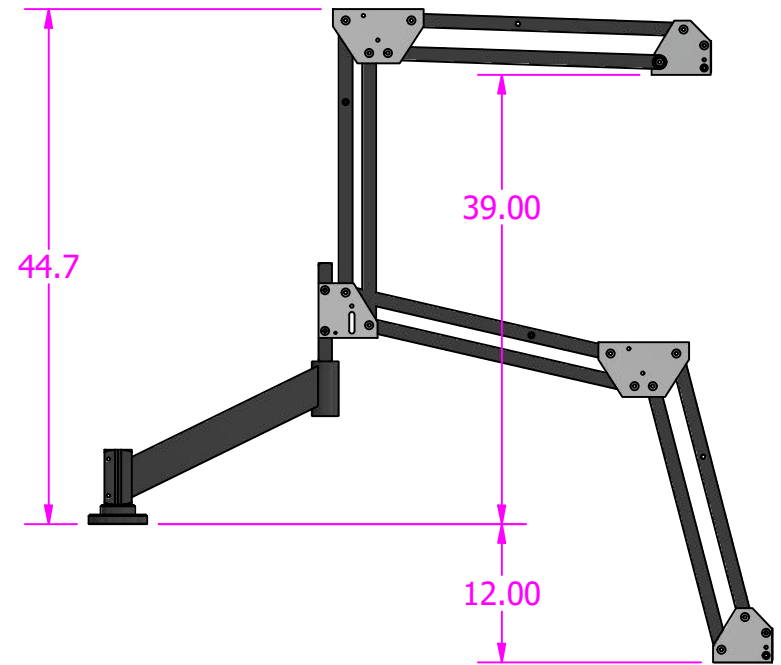


<i>Date:</i> 8/3/2020	<i>Tolerance:</i> .00.....±.010 DECIMAL: .000.....±.005 .0000.....±.0005	<i>Drawn By:</i> Cyler	<i>Option No.:</i>
<i>Name:</i> G-30 (ARM ONLY) WORKING RANGE			
<i>Material Specs:</i>			<i>Sheet:</i> 1 OF 2
 Tapping & Assembly Arm Solutions		<i>Part No.:</i>	

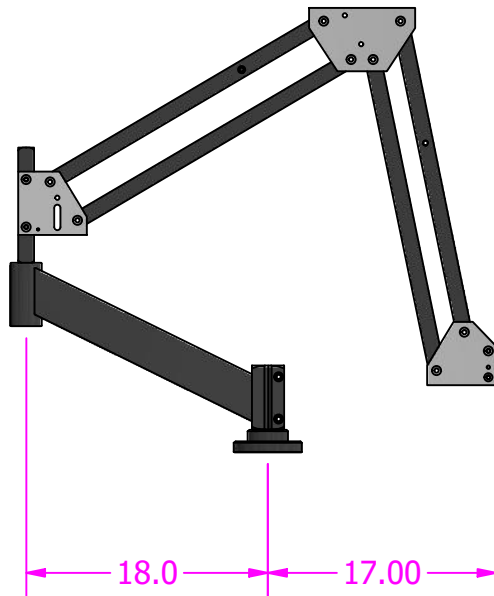
### MAX REACH




### VERTICAL STROKE



### MIN REACH



<i>Date:</i> 8/3/2020	<i>Tolerance:</i> .00.....±.010 DECIMAL: .000.....±.005 .0000.....±.0005	<i>Drawn By:</i> Cyler	<i>Option No.:</i>
<i>Name:</i> G-30 (ARM ONLY) WORKING RANGE			
<i>Material Specs:</i>			<i>Sheet:</i> 2 OF 2
 Tapping & Assembly Arm Solutions		<i>Part No.:</i>	