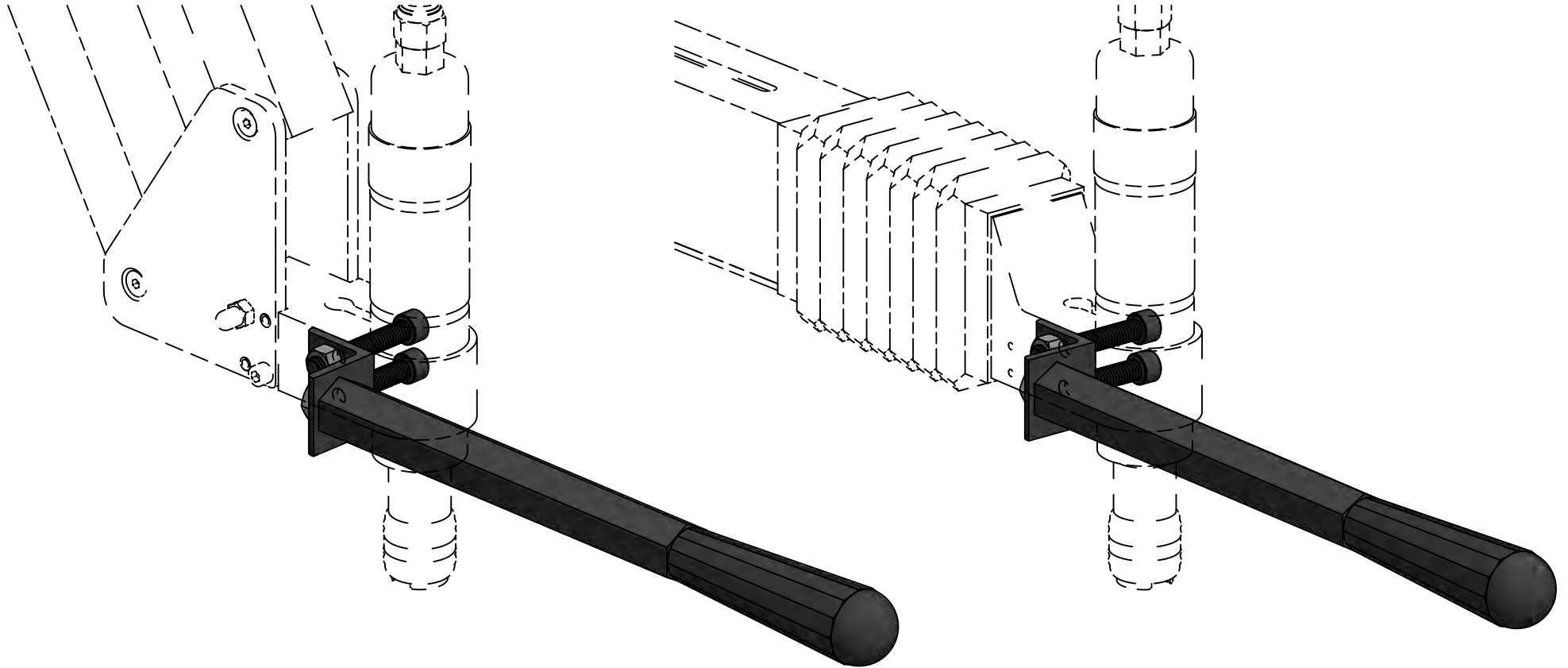



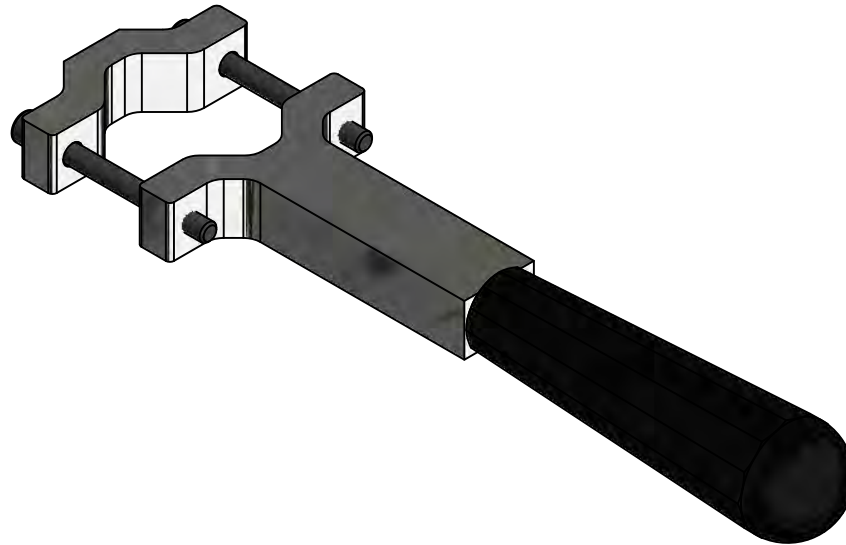
S-36 / M-60


A-32



<i>Date:</i> 7/23/2020	<i>Tolerance:</i> .00.....±.010 DECIMAL: .000.....±.005 .0000.....±.0005	<i>Drawn By:</i> crieman	<i>Option No.:</i> FX900045B
<i>Name:</i> DEAD HANDLE: RNR			
<i>Material Specs:</i>			<i>Sheet:</i> 1 OF 2
		<i>Part No.:</i> FX900045B	

RNR



<i>Date:</i> 7/23/2020	<i>Tolerance:</i> .00.....±.010 DECIMAL: .000.....±.005 .0000.....±.0005	<i>Drawn By:</i> crieman	<i>Option No.:</i> FX900045B
<i>Name:</i> DEAD HANDLE: RNR			
<i>Material Specs:</i>			<i>Sheet:</i> 2 OF 2
 Tapping & Assembly Arm Solutions		<i>Part No.:</i>	FX900045A