

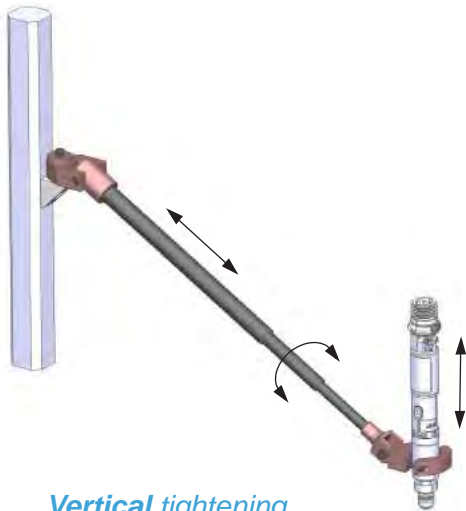
Carbon telescoping arms

DMF/DMFI Series

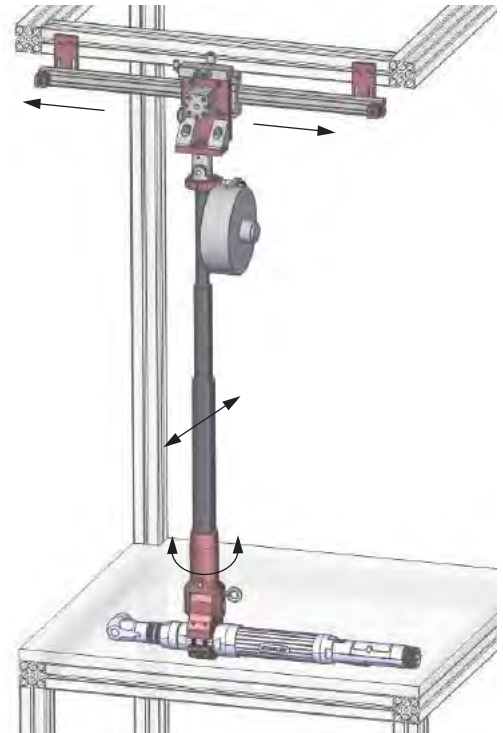


DMF Series : Eliminate torque reaction up to 300Nm (220 lbf•ft).

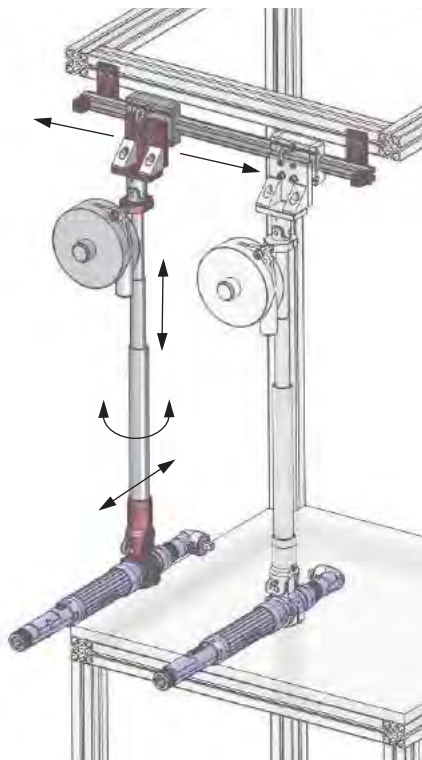
- Comfort: Easy to install on moving assembly lines. Can be mounted on existing standard rail. Requires little space and does not disrupt production flow
- Economical: Carbon fiber makes the arms maintenance free (ie. no greasing) and extremely long lived.
- Productivity: Lightweight carbon fiber makes handling quick and easy for the operator.



Vertical tightening

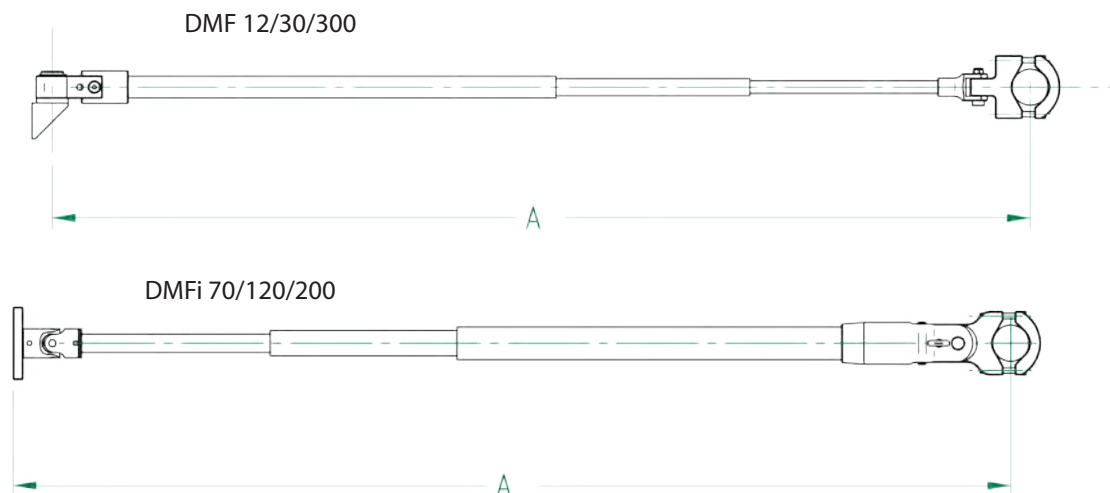


Frontal tightening



Side tightening

Carbon telescoping arms



Standard stroke

Model	3D Drawing	Max torque (Nm)	Standard clamp (lbf ft)	Tool Ø (mm)	A Min		A Max		Code			
					(in)	(mm)	(in)	(mm)	Without clamp	With clamp		
DMF 5/950	F	5	(3.7)	P1	25-42	(1.1-1.7)	460	(18.1)	950	(37.4)	No	4-5200445
DMF 12/950	F	12	(8.9)	P1	27-50	(1.1-1.9)	460	(18.1)	950	(37.4)	No	4-5201004
DMF 12/1500	F	12	(8.9)	P1	27-50	(1.1-1.9)	650	(25.6)	1500	(59.1)	No	4-5201005
DMF 12/2000	F	12	(8.9)	P1	27-50	(1.1-1.9)	820	(32.3)	2000	(78.7)	No	4-5201006
DMF 30/960	F	30	(22.1)	P1	28-52	(1.1-2)	475	(18.7)	960	(37.8)	4-5244000	4-5200074
DMF 30/1500	F	30	(22.1)	P1	28-52	(1.1-2)	656	(25.8)	1500	(59.1)	4-5244001	4-5200282
DMF 30/2000	F	30	(22.1)	P1	28-52	(1.1-2)	823	(32.4)	2000	(78.7)	4-5244002	4-5200283
DMF 30/2500	F	30	(22.1)	P1	28-52	(1.1-2)	993	(39.1)	2500	(98.4)	4-5244003	4-5200284
DMF 30/3000	F	30	(22.1)	P1	28-52	(1.1-2)	1321	(52)	3000	(118)	4-5200813	4-5200818
DMFi 70/1500	F	70	(51.6)	P2	35-52	(1.4-2)	667	(26.3)	1500	(59.1)	4-5244004	4-5244020
DMFi 70/2000	F	70	(51.6)	P2	35-52	(1.4-2)	833	(32.8)	2000	(78.7)	4-5244005	4-5244021
DMFi 70/2500	F	70	(51.6)	P2	35-52	(1.4-2)	1000	(39.4)	2500	(98.4)	4-5244006	4-5244022
DMFi 70/3000	F	70	(51.6)	P2	35-52	(1.4-2)	1330	(52.4)	3000	(118)	4-5200814	4-5200819
DMFi 120/1500	F	120	(88.5)	P2	35-52	(1.4-2)	691	(27.2)	1500	(59.1)	4-5244007	4-5244023
DMFi 120/2000	F	120	(88.5)	P2	35-52	(1.4-2)	857	(33.7)	2000	(78.7)	4-5244008	4-5244024
DMFi 120/2500	F	120	(88.5)	P2	35-52	(1.4-2)	1023	(40.3)	2500	(98.4)	4-5244009	4-5244025
DMFi 120/3000	F	120	(88.5)	P2	35-52	(1.4-2)	1347	(53)	3000	(118)	4-5200815	4-5200820
DMFi 200/1500	F	200	(148)	P2	Max 63	(2.5)	920	(36.2)	1500	(59.1)	4-5244050	4-5244026
DMFi 200/2000	F	200	(148)	P2	Max 63	(2.5)	1170	(46.1)	2000	(78.7)	4-5244051	4-5244027
DMFi 200/2500	F	200	(148)	P2	Max 63	(2.5)	1420	(55.9)	2500	(98.4)	4-5244052	4-5244028
DMFi 200/3000	F	200	(148)	P2	Max 63	(2.5)	1720	(67.7)	3000	(118)	4-5200816	4-5200821
DMF 300/1500	F	300	(221)	P2	Max 73	(2.9)	970	(38.2)	1500	(59.1)	4-5244053	4-5244029
DMF 300/2000	F	300	(221)	P2	Max 73	(2.9)	1220	(48.0)	2000	(78.7)	4-5244054	4-5244030
DMF 300/2500	F	300	(221)	P2	Max 73	(2.9)	1470	(57.9)	2500	(98.4)	4-5244055	4-5244031
DMF 300/3000	F	300	(221)	P2	Max 73	(2.9)	1720	(67.7)	3000	(118)	4-5200817	4-5200822

Other dimensions on request (maximum length 4 m (157")).

Torque up to 600 Nm (442 lbf ft) available on request.

Long stroke (LS)

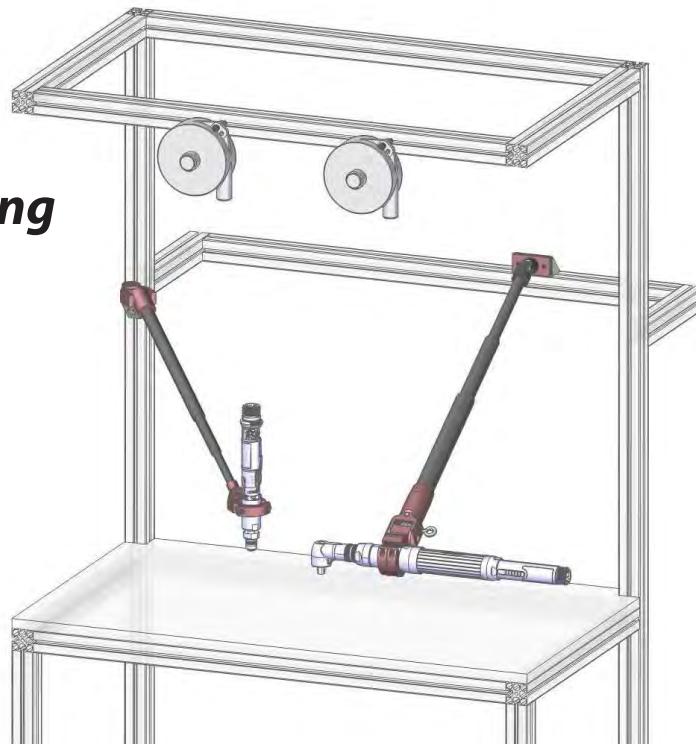
Model	3D Drawing	Max torque (Nm)	Standard clamp (lbf ft)	Tool Ø (in)	A Min		A Max		Code			
					(mm)	(in)	(mm)	(in)	Without clamp	With clamp		
DMF 30/1500 LS		30	(22.1)	P1	28-52	(1.1-2)	555	(21.9)	1500	(59.1)	4-5200852	4-5200855
DMF 30/2000 LS		30	(22.1)	P1	28-52	(1.1-2)	680	(26.8)	2000	(78.7)	4-5200853	4-5200856
DMF 30/2500 LS		30	(22.1)	P1	28-52	(1.1-2)	805	(31.7)	2500	(98.4)	4-5200854	4-5200857
DMFi 100/1500 LS	F	100	(73.8)	P2	35-52	(1.4-2)	592	(23.3)	1500	(59.1)	4-5201213	4-5201221
DMFi 100/2000 LS	F	100	(73.8)	P2	35-52	(1.4-2)	717	(28.2)	2000	(78.7)	4-5201214	4-5201222
DMFi 100/2500 LS	F	100	(73.8)	P2	35-52	(1.4-2)	842	(33.2)	2500	(98.4)	4-5201215	4-5201223
DMFi 200/1500 LS		200	(148)	P2	Max 63	(2.5)	728	(28.7)	1500	(59.1)	4-5201216	4-5201224
DMFi 200/2000 LS		200	(148)	P2	Max 63	(2.5)	894	(35.2)	2000	(78.7)	4-5201217	4-5201225
DMFi 200/2500 LS		200	(148)	P2	Max 63	(2.5)	1060	(41.7)	2500	(98.4)	4-5201220	4-5201226



Vertical tightening

DMF/DMFI Series

Vertical tightening



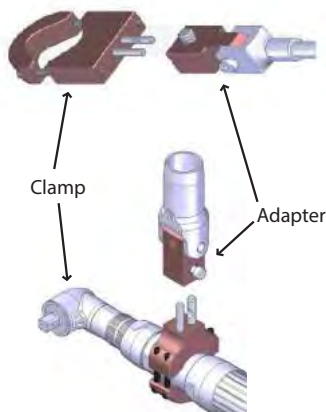
P1

For	Clamping mm	Clamping (in)	Code
DMF 12	Clamp 27-50	(1.1-1.9)	Standard
DMF 30	Clamp 28-52	(1.1-2)	4-5244010
DMFi 70	Mounting plate interface		4-5244032
DMFi 120/200	Mounting plate interface		4-5244033



P2 clamp

For	Tool Ø (mm)	Tool Ø (in)	Code
DMF 30	28-52	(1.1-1.9)	4-5200300
DMFi 70	35-52	(1.4-2)	4-5244011
DMFi 120/200	35-52	(1.4-2)	4-5244012
DMFi 200	63	(2.5)	4-5201204
DMF 300	73	(2.9)	On request



Quick release clamp

For	Type	Code
DMF12	P1	4-5201003
DMF30	P1	4-5200017
DMFi 70	P2	4-5283102
DMFi 120/200	P2	4-5283103

Quick release interface

For	Code
DMF12	4-5200470
DMF30	4-5200471
DMF70	4-5283100
DMF120/200	4-5283101

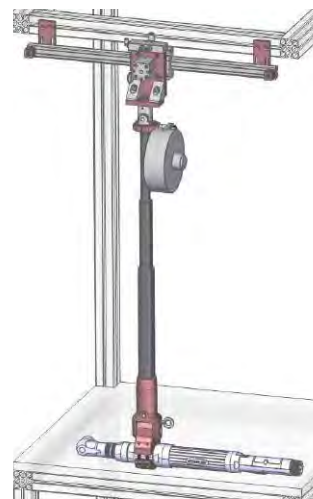
Frontal tightening

DMF/DMFI Series

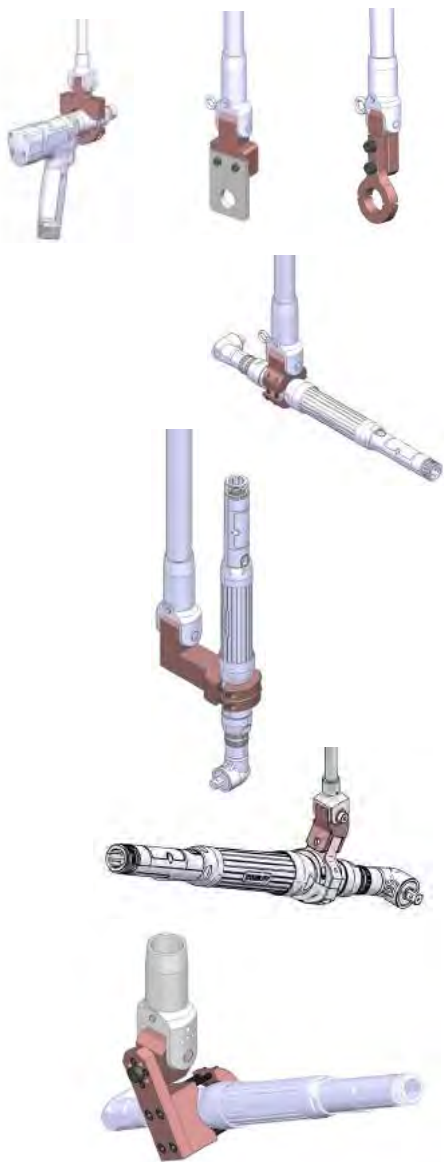
Fixed mounting



Mounting on rail with locker



Frontal tightening



P1 clamp

For	Tool Ø mm	Tool Ø (in)	Code
DMF 12	Clamp 27-50	(1.1-1.9)	Standard
DMF 30	Clamp 28-52	(1.1-2)	4-5244010
DMFi 70	Mounting plate interface		4-5244032
DMFi 120/200	Mounting plate interface		4-5244033
DMF 300	Mounting plate interface		On request

P2 clamp

For	Tool Ø mm	Tool Ø (in)	Code
DMF 30	28-52	(1.1-1.9)	4-5200300
DMFi 70	35-52	(1.4-2)	4-5244011
DMFi 120/200	35-52	(1.4-2)	4-5244012
DMFi 200	Max 63	(2.5)	4-5201204
DMF 300	Max 73	(2.9)	On request

P4 clamp

For	Tool Ø mm	Tool Ø (in)	Code
DMF 30	28-52	(1.1-1.9)	4-5200302
DMFi 70	35-52	(1.4-2)	4-5244015
DMFi 120/200	35-52	(1.4-2)	4-5244016
DMFi 200	Max 63	(2.5)	4-5244058
DMF 300	Max 73	(2.9)	4-5244059

Tilt interface

For	Code
Interface/DMF30 (for all clamp types)	15°
	30°
	4-5283168
	4-5283169

Swivel clamp

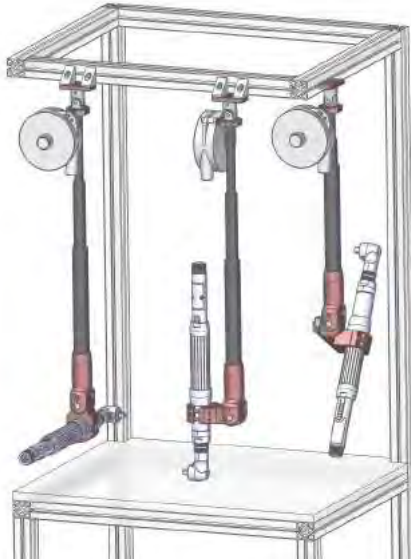
For	Tool Ø mm	Tool Ø (in)	Code
DMFi 70 P2/P4	35-52	(1.4-2)	4-5201137
DMFi 120/200 P2/P4	35-52	(1.4-2)	4-5201138
DMFi 200 P2/P4	Max 63	(2.5)	4-5201139
DMF 300	Max 73	(2.9)	On request



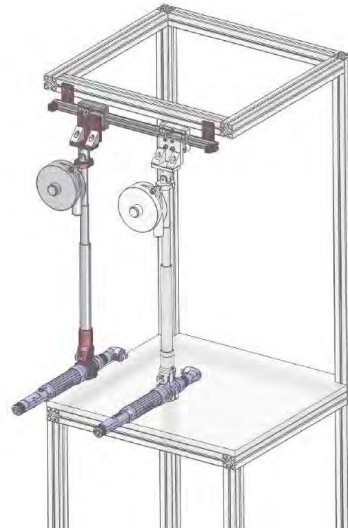
Side tightening

DMF/DMFi Series

Fixed mounting



Mounting on rail



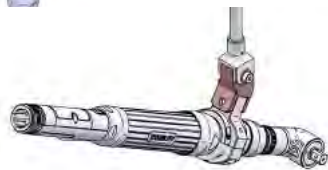
P2 Clamp

For	Tool Ø mm	Tool Ø (in)	Code
DMF 30	28-52	(1.1-1.9)	4-5200300
DMFi 70	35-52	(1.4-2)	4-5244011
DMFi 120/200	35-52	(1.4-2)	4-5244012
DMFi 200	Max 63	(2.5)	4-5201204
DMF 300	Max 73	(2.9)	On request



P3 Clamp

For	Tool Ø mm	Tool Ø (in)	Code
DMF 30	28-52	(1.1-1.9)	4-5200301
DMFi 70	35-52	(1.4-2)	4-5244013
DMFi 120/200	35-52	(1.4-2)	4-5244014
DMFi 200	Max 63	(2.5)	4-5244056
DMF 300	Max 73	(2.9)	4-5244057



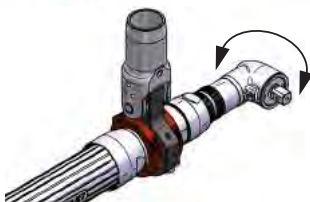
Tilt interface

For	Angle	Code
Interface / DMF30	15°	4-5283168
	30°	4-5283169



Swivel clamp

For	Tool Ø mm	Tool Ø (in)	Code
DMFi 70	35-52	(1.4-2)	4-5201137
DMFi 120/200	35-52	(1.4-2)	4-5201138
DMFi 200	Max 63	(2.5)	4-5201139
DMF 300	Max 73	(2.9)	On request

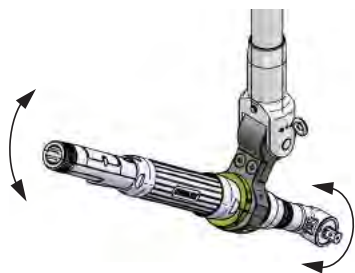


Rotating clamp

For	Tool Ø mm	Tool Ø (in)	Code
DMF 30	43	(1.7)	4-5201134
DMFi 70	50	(1.9)	4-5244034
DMFi 120/100LS	50	(1.9)	4-5244035
DMFi 200/200LS	58	(2.3)	4-5244060
DMF 300	70	(2.8)	4-5201136

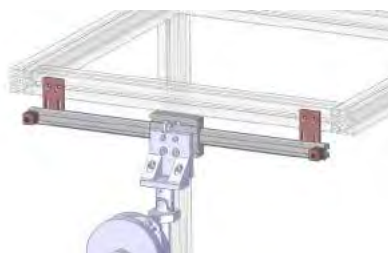
DMF/DMFi

Mounting on rail



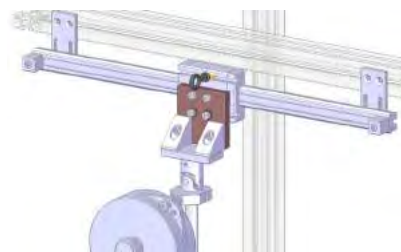
Tilting and rotating clamp

For	Tool Ø mm	Tool Ø (in)	Tilt angle increment	Code
DMFi 70	50	(1.9)	18°	4-5201205
DMFi 100/120	50	(1.9)	18°	4-5201206
DMFi 200	58	(2.3)	18°	4-5201218



Rails

Length	Stroke mm	Stroke (in)	Number of flanges	Code
600	450	(18)	2	4-5200132
800	650	(26)	2	4-5200160
1000	850	(34)	2	4-5200161
1200	1050	(41)	3	4-5200162
1500	1350	(53)	3	4-5200163
2000	1850	(73)	4	4-5200164

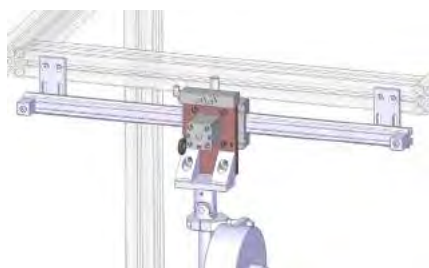


Rail interface

Allows installation of DMF on rail.

For	Code
DMF12/30	4-5200341
DMFi70/120/200	4-5200708
DMF300	4-5200342

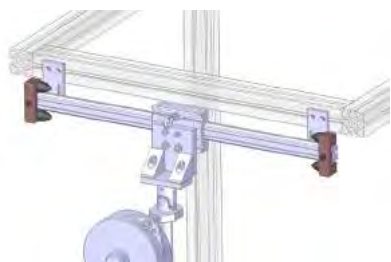
NOTE : delivered without safety hook (Code 4-5200309)



Pneumatic locker

For	Type	Code
DMF12/30	Pneumatic	4-5200442
DMF12/30	Electric	4-5200869
DMFi70/120	Pneumatic	4-5200706
DMFi70/120	Electric	4-5200707
DMFi200	Electric	4-5201150
DMF300	Electric	4-5201142

The power tool has to be equipped with a motor run signal.



Absorbing stop

Recommended in case of repeatable side shocks.

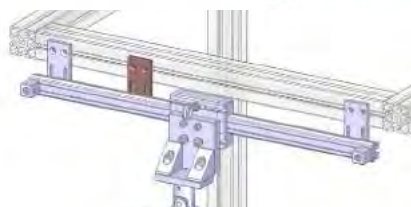
Code 4-5201121 Set of 2



Adjustable stop

To limit the slide of the arm on the rail.

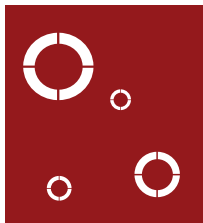
Code 4-5200167



Additional flange

To reinforce the rail installation for high torque applications.

Code 4-5200873



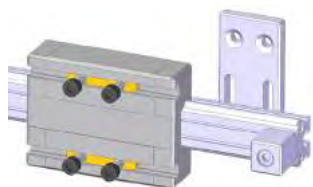
Accessories DMF/DMFi



Rail link

To link two rails together.

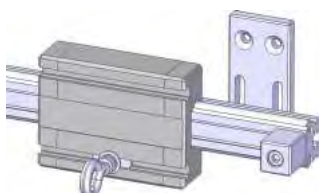
Code 4-5200307



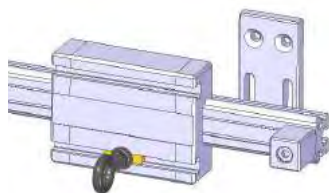
Single trolley

To mount additional tools on the same rail.

- Single trolley Code 4-5200165



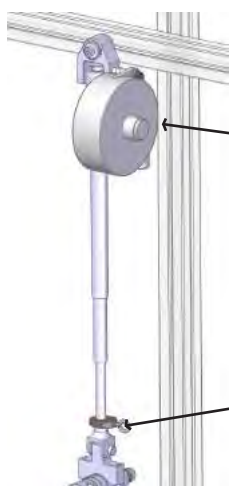
- Trolley for additional balancer Code 4-5200166



Additional safety hook

To secure balancer.

Code 4-5200309



Balancing kit for DMF 12/30/300

For	Tool kg	Tool (lbs)	Code
DMF12	1-2	(2.2-4.4)	4-5200303
DMF30	1-2.5	(2.2-5.5)	4-5200304
DMF30	2-4	(4.4-8.8)	4-5200305
DMF300	4-8	(8.8-17)	4-5200704
DMF300	6-10	(13-22)	4-5200705

Balancer attachment kit for DMF30 Code 4-5201143

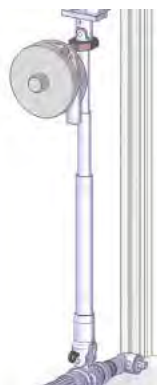
Balancing kit for DMFi 70/120/200

For	Capacity kg	Capacity (lbs)	Code
DMFi 70/120/200	2-4	(4.4-8.8)	4-5200701
DMFi 70/120/200	4-6	(8.8-13)	4-5200702
DMFi 70/120/200	6-8	(13-17)	4-5200703

Delivered with balancer attachment kit.

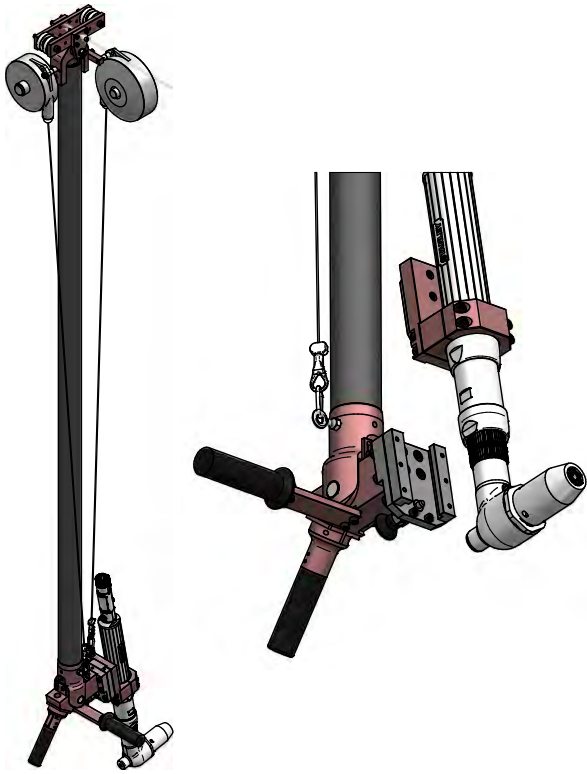
Cable extension for balancer for DMFi max 3000

For	Length mm	Length (in)	Code
Extension	500	(20)	4-1212220
Extension	1000	(39)	4-1222205

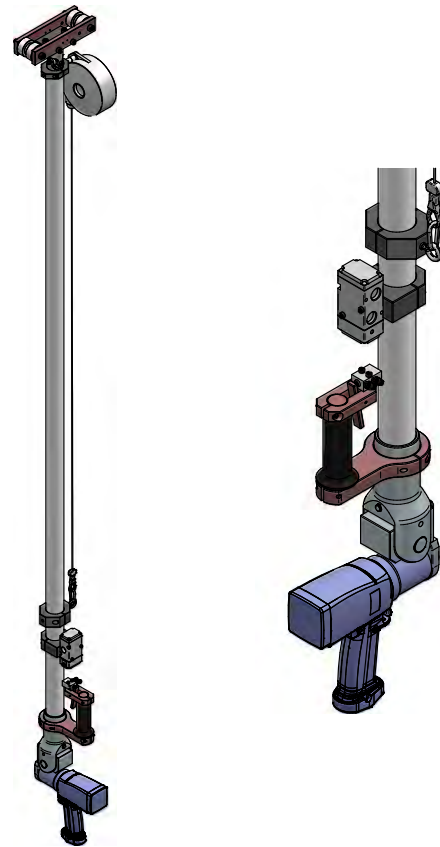


Special arms on request

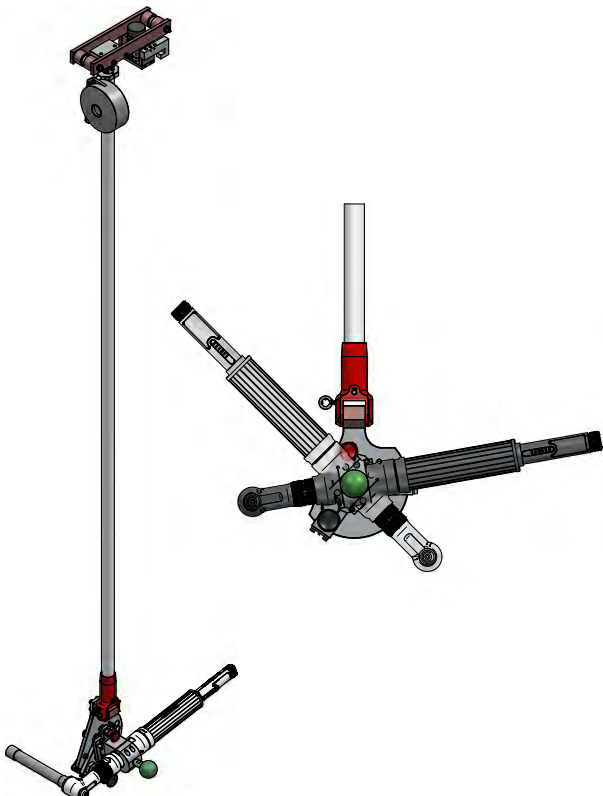
Special applications



DMF 400 with quick release tool clamp



DMF 300 with air pistol tool+remote start lever



DMFi 200 with swivel and indexable tool clamp



DMFi 600 with air locker + special tool holder for pistol tools