

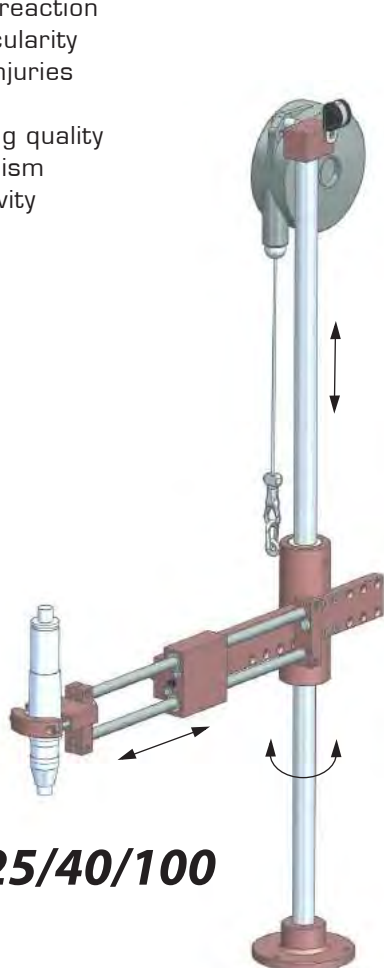
# Linear Arms

## BA Series

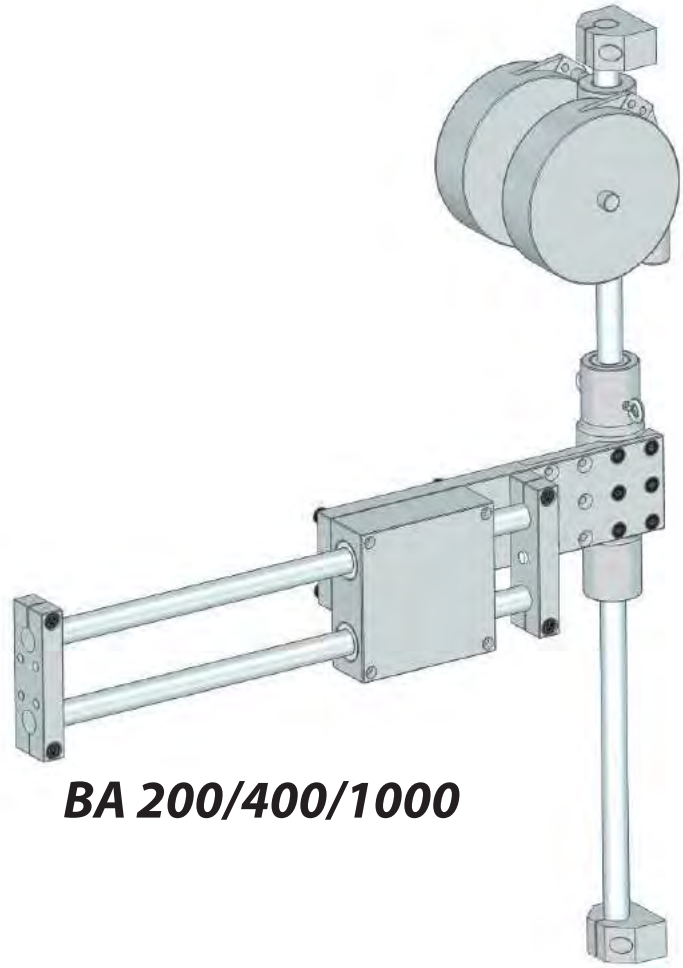


BA Series: Smooth, perpendicular tightening operations up to 100 Nm (74 lbf.ft).

- Eliminate torque reaction
- Ensure perpendicularity
- Avoid repetitive injuries
- Prevent fatigue
- Improve tightening quality
- Reduce absenteeism
- Improve productivity



**BA 5/12/25/40/100**



**BA 200/400/1000**

Model	3D Drawing	Torque max		Tool Ø		Stroke		Load max		Code
		Nm	(lbf.ft)	mm	(in)	mm	(in)	kg	(lbs)	
BA 5	F	5	(3.7)	25 - 42	(1.0 - 1.7)	200	(7.9)	0.9	(2)	4-5200085
BA 12	F	12	(8.8)	27 - 50	(1.1 - 2.0)	225	(8.9)	1.2	(2.6)	4-5201000
BA 25	F	25	(18.4)	28 - 52	(1.1 - 2.1)	250	(9.8)	2.2	(4.8)	4-5200076
BA 40	F	40	(29.5)	28 - 52	(1.1 - 2.1)	295	(11.6)	2.2/4*	(4.8/8.8*)	4-5200067
BA 100	F	100	(73.7)	28 - 52	(1.1 - 2.1)	325	(12.8)	3.5/6*	(7.7/13.2*)	4-5200068

Higher capacity with additional balancer. **Code : 4-5200143.** See page 6.

Model	3D Drawing	Torque max		Stroke		Load max		Code
		Nm	(lbf.ft)	mm	(in)	kg	(lbs)	
BA 200	F	200	(148)	345	(14)	8	(17.6)	4-5201092
BA 400	F	400	(295)	400	(16)	12	(26.5)	4-5201093
BA 1000		1000	(738)	-	-	-	-	on request

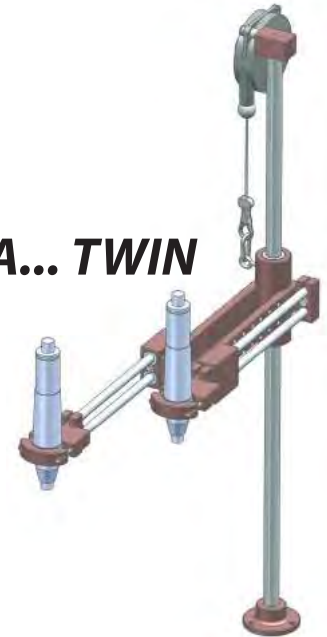
BA 200/400/1000 are delivered without clamps or floor posts, and are non-anodized.

# Linear Arms

## BA...TWIN Series

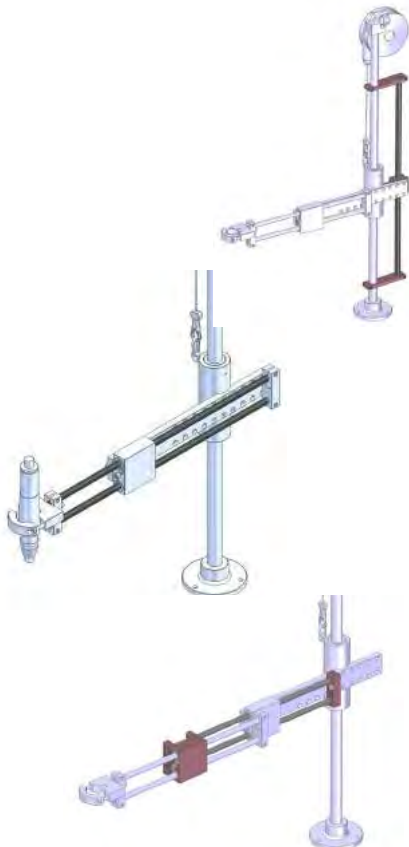
BA...TWIN: An ideal solution when two screwdrivers are needed in a limited workspace.

### BA... TWIN



Model	3D Drawing	Torque max		Tool Ø		Stroke		Load max		Code
		Nm	(lbf.ft)	mm	(in)	mm	(in)	kg	(lbs)	
BA 12 T		12	(8.8)	27 - 42	(1.1 - 1.7)	225	(8.9)	2	(4.4)	4-5200823
BA 25 T		25	(18.4)	28 - 52	(1.1 - 2.1)	250	(9.8)	3	(6.6)	4-5200721
BA 40 T		40	(29.5)	28 - 52	(1.1 - 2.1)	295	(11.6)	4	(8.8)	4-5200825
BA 100 T		100	(73.8)	28 - 52	(1.1 - 2.1)	330	(13)	6	(13.2)	4-5283105

## BA Accessories



### Anti rotation clamps

For	Code
BA 5	4-5200348
BA 12 & 25	4-5200116
BA 40 & 100	4-5200117

### Extended slides

For	Stroke mm	Stroke (in)	Code
BA 12	+ 130	(+5.1)	4-5200120
BA 25	+ 130	(+5.1)	4-5200720
BA 40	+ 170	(+6.7)	4-5200122
BA 100	+ 200	(+7.9)	4-5200123

### Double slides

For	Stroke mm	Stroke (in)	Code
BA 12	+ 230	(+9)	4-5200124
BA 25	+ 210	(+8.3)	4-5200125
BA 40	+ 295	(+12)	4-5200126
BA 100	+ 330	(+13)	4-5200127



# Linear arms

## BA Accessories

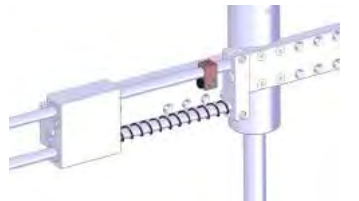


### Inverse mounting kits

For	Code
BA 5	4-5200385
BA 12 & 25	4-5200128
BA 40 & 100	4-5200129

### Additional balancing kits

For	Arm max load kg	Code (lbs)	Code
BA 40	4	(8.8)	4-5200143
BA 100	6	(13)	4-5200143



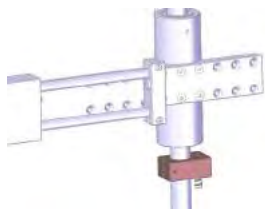
### Auto rest position kits

For	Code
BA 5 & 12	4-5200118
BA 25 & 40	4-5200119



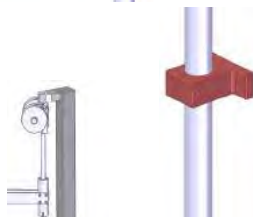
### Quick change clamps

For	Adapter code	Clamp code
BA 12	4-5201109	4-5201003
BA 25	4-5201110	4-5200017
BA 40	4-5201111	4-5200017



### Height adjusting clamps

For	Code
BA 5	4-5200421
BA 12 & 25	4-5200422
BA 40 & 100	4-5200423



### Pole upper mounting clamps

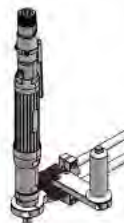
For	Code
BA 12 & 25	4-5200130
BA 40 & 100	4-5200131

### Floor posts

For	Code
BA 100/200/400	4-5201096
BA 1000	4-5201097

### Tool interfaces for BA 100/200/400

For	Code
BA 200	4-5201105
BA 400	4-5201106
BA 100/E34/E44 Series (Stanley)	4-5201124
BA 200/E45/E55 Series (Stanley)	4-5201125



# Linear arms

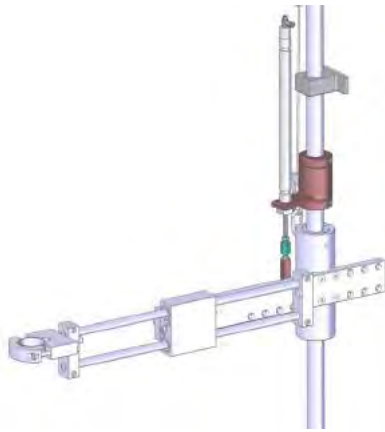
## BA Accessories

### Downward Assistance Kits

Downward assistance kits provide substantial comfort and productivity increases. Since they require no effort from the operator they are ideal for self-tapping applications.

The BAPER system features a built-in collet that allows the system to be used at any height. The Easy Push system operates at a preset height by using a mechanical stop.

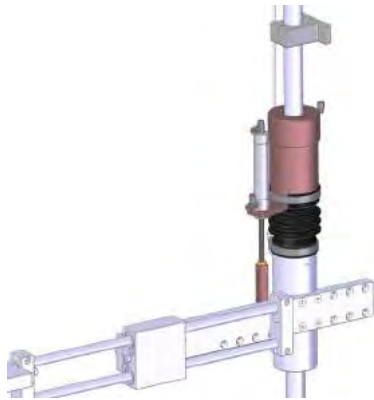
#### EASY PUSH



Model	For	Pushing force kg	(lbs)	Stroke mm	(in)	Type	Code
EP 12P	BA 12	5	(11)	125	(4.9)	Pneumatic	4-5200099
EP 25P	BA 25	9	(19.8)	160	(6.3)	Pneumatic	4-5200102
EP 40/100P Jack 16	BA 40 & 100	9	(19.8)	200	(7.9)	Pneumatic	4-5200103
EP 40/100P Jack 20	BA 40 & 100	15	(33)	200	(7.9)	Pneumatic	4-5200144
EP 100P Jack 25	BA 100	25	(55.1)	200	(7.9)	Pneumatic	4-5200145
EP 12E	BA 12	5	(11)	125	(4.9)	Electric	4-5200838
EP 25E	BA 25	9	(19.8)	160	(6.3)	Electric	4-5200839
EP 40/100E Jack 16	BA 40 & 100	9	(19.8)	200	(7.9)	Electric	4-5200840
EP 40/100E Jack 20	BA 40 & 100	15	(33)	200	(7.9)	Electric	4-5200841
EP 100E Jack 25	BA 100	25	(55.1)	200	(7.9)	Electric	4-5200842
Easy Push Cable/GX							4-5200843
Easy Push cable MD							4-5210010
Easy Push Cable/DELVO							4-5200844
Cable without connector (for 5/9 kg pushing force)							4-5200845
Cable without connector (for 15/25 kg pushing force)							4-5200846
U3-D Interface for GX screwdrivers							4-1041888

EASY PUSH kits are delivered without cable.

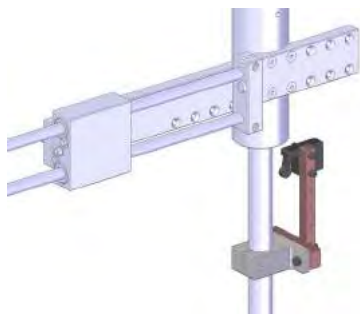
#### BAPER



Model	For	Pushing force kg	(lbs)	Type	Code
BAPER 12P	BA 12	5	(11)	Pneumatic	4-5200095
BAPER 25P	BA 25	8	(17.6)	Pneumatic	4-5200096
BAPER 40/100P	BA 40 & 100	8	(17.6)	Pneumatic	4-5200097
BAPER 12E	BA 12	5	(11)	Electric	4-5200830
BAPER 25E	BA 25	8	(17.6)	Electric	4-5200831
BAPER 40/100E	BA 40 & 100	8	(17.6)	Electric	4-5200832
BAPER Cable/GX					4-5200833
BAPER cable MD					4-5210011
BAPER Cable/DELVO					4-5200834
Cable without connector					4-5200835
U3-D Interface for GX screwdrivers					4-1041888

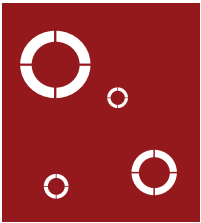
Electric BAPER kits are delivered without cable.

#### Safety kit



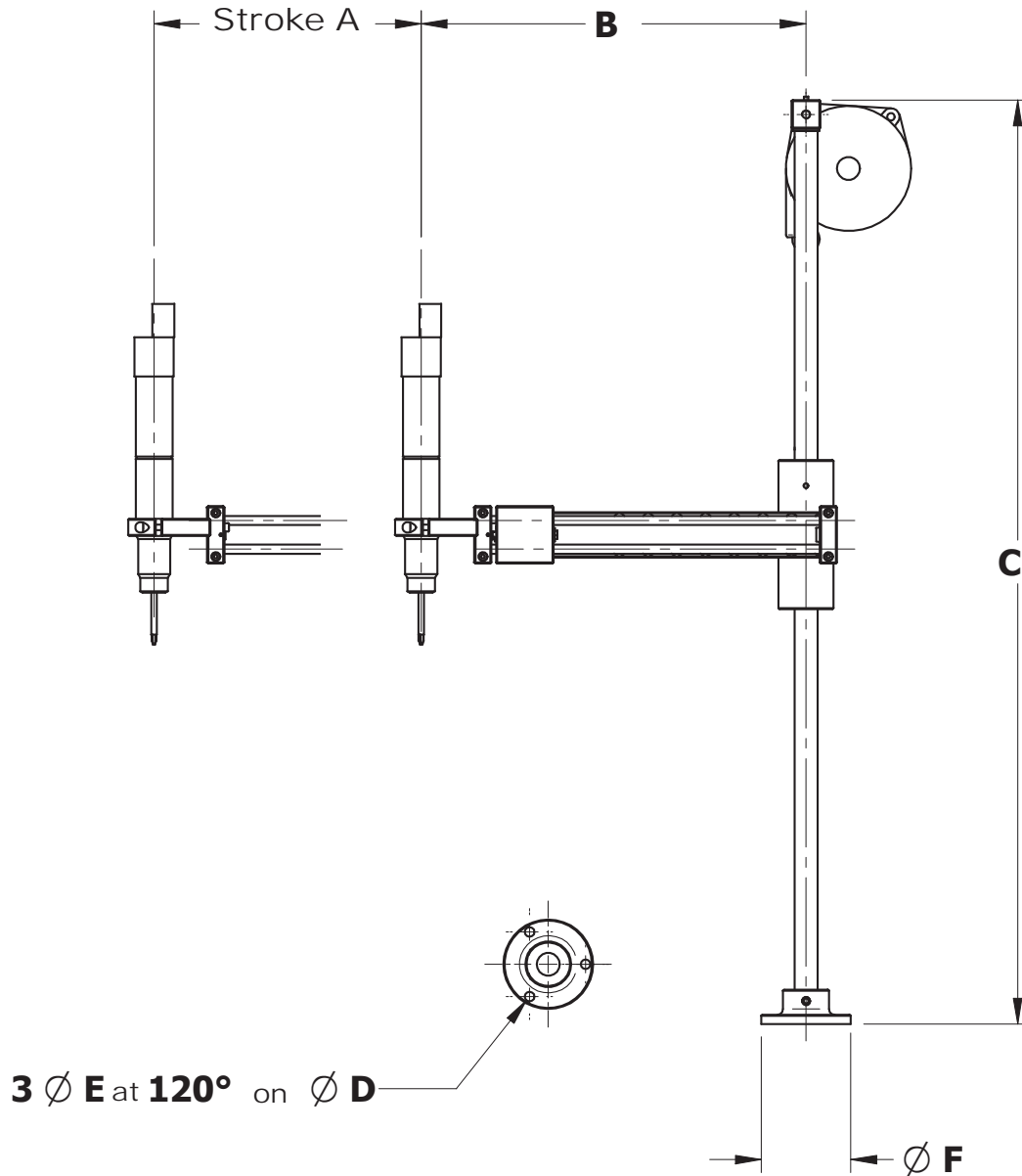
For	Code
BA 12 & 25	4-5200134
BA 40 & 100	4-5200135

The safety kit disables the downward assistance until the powerbit is in contact with the screw. This eliminates a potential pinch point.



# Linear arms

## BA 5 to 100 Dimensions

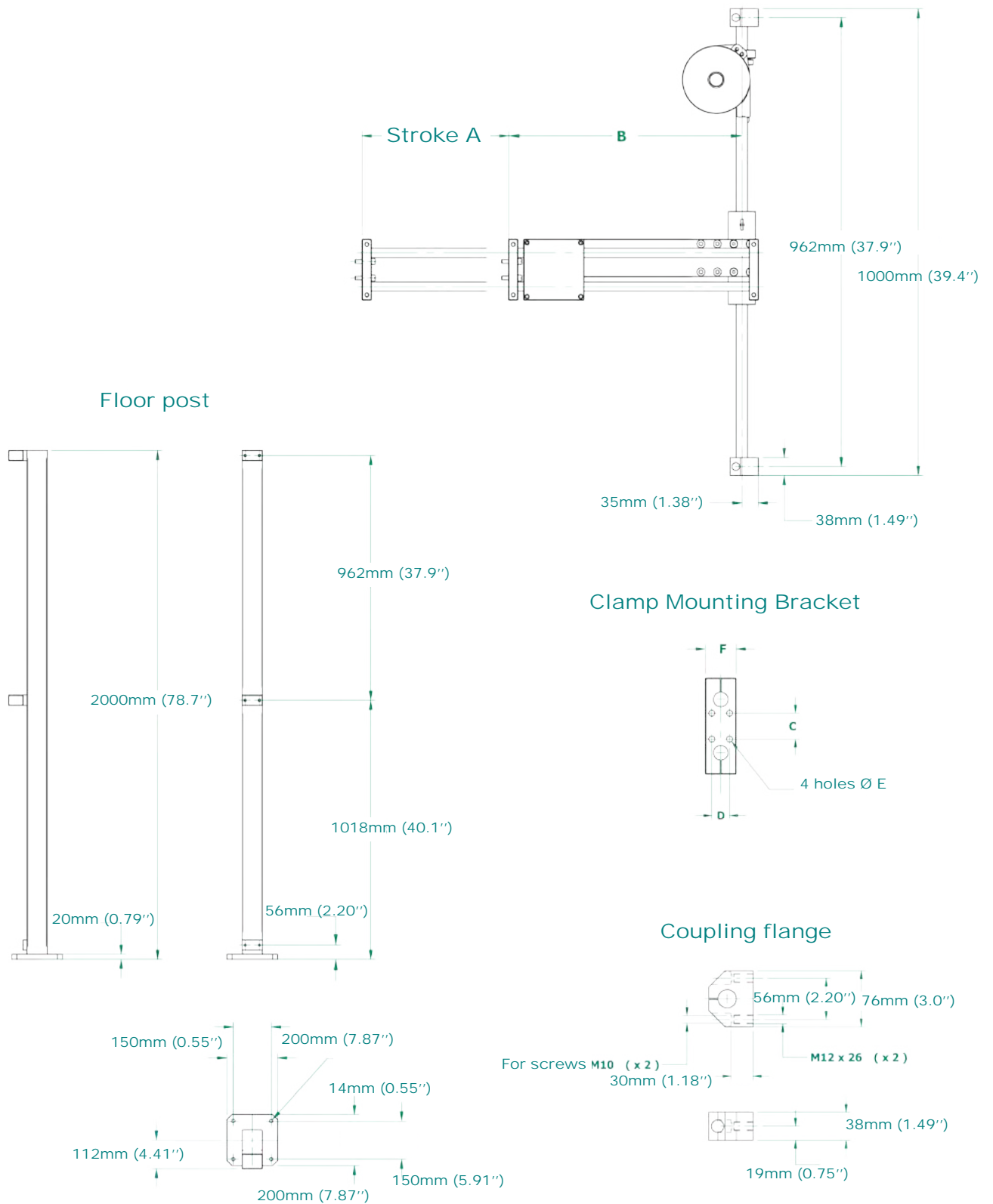


### BA Dimensions

Model	Stroke A		B min		B max		C		D		E		F	
	mm	(in)	mm	(in)	mm	(in)	mm	(in)	mm	(in)	mm	(in)	mm	(in)
BA 5	200	(7.9)	222	(8.7)	302	(11.9)	705	(27.8)	65	(2.56)	8.5	(0.33)	78	(3.1)
BA 12	225	(8.9)	186	(7.3)	336	(13.2)	805	(31.7)	65	(2.56)	8.5	(0.33)	78	(3.1)
BA 25	250	(9.8)	221	(8.7)	396	(15.6)	908	(35.8)	65	(2.56)	8.5	(0.33)	78	(3.1)
BA 40	295	(11.6)	260	(10.2)	460	(18.1)	1008	(39.7)	100	(3.94)	8.5	(0.33)	118	(4.7)
BA 100	325	(12.8)	315	(12.4)	515	(20.3)	1008	(39.7)	126	(4.96)	10.5	(0.41)	148	(5.8)

# Linear arms

## BA 200 / 400 Dimensions



Model	Stroke A		B min		B max		C	D	E	F				
	mm	(in)	mm	(in)	mm	(in)								
BA 200	349	(13.7)	430	(16.9)	500	(19.7)	35	(1.38)	24	(0.94)	8.2	(0.32)	42	(1.65)
BA 400	390	(15.4)	326	(12.8)	406	(16.0)	40	(1.57)	28	(1.10)	12.2	(0.48)	52	(2.05)