

Articulated arms

BA...RPC Series



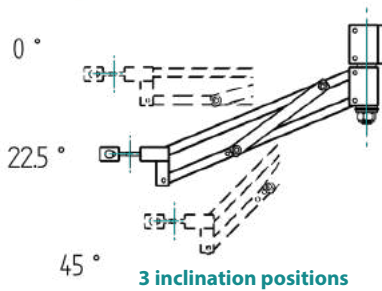
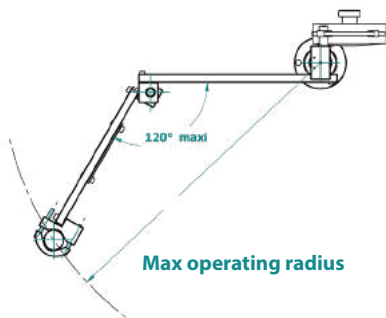
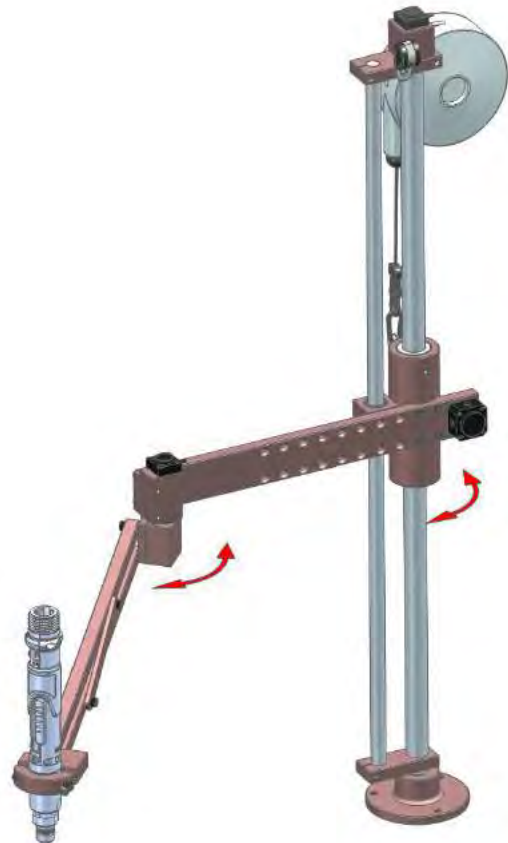
- Torque capacity up to 100 Nm (74 lbf•ft).
- Operating range up to 1100 mm (43").
- Equipped with absolute, 12bit, angle encoders (0.1°).
- Higher torque versions available on request.



Option

Z-axis encoder option for BA RPC. **Code : 4-5283125.**
 Cable for Z-axis encoder option. **Code 4-5200725.**

BA 12/25/40/100 RPC



Model	3D Drawing	Max torque		Tool Ø		Operating radius at 22,5°		Max load		Code
		Nm	(lbf-ft)	mm	(in)	mm	(in)	kg	(lbs)	
BA 12 RPC	F	12	(8.9)	27-50	(1.1-1.9)	450	(17.7)	1.2	(2.6)	4-5201010
BA 25 RPC	F	25	(18)	28-52	(1.1-2)	460	(18.1)	2.2	(4.9)	4-5200472
BA 25 RPC/600	F	25	(18)	28-52	(1.1-2)	600	(243.6)	2.2	(4.9)	4-5200475
BA 40 RPC	F	40	(30)	28-52	(1.1-2)	650	(25.6)	3	(6.6)	4-5200473
BA 40 RPC/800	F	40	(30)	28-52	(1.1-2)	800	(31.5)	3	(6.6)	4-5200476
BA 100 RPC	F	100	(74)	28-52	(1.1-2)	730	(28.7)	4	(8.8)	4-5200474
BA 100 RPC/900	F	100	(74)	28-52	(1.1-2)	900	(35.4)	4	(8.8)	4-5200477
BA 100 RPC/1100	F	100	(74)	28-52	(1.1-2)	1100	(43.3)	3	(6.6)	4-5200478

Articulated arms

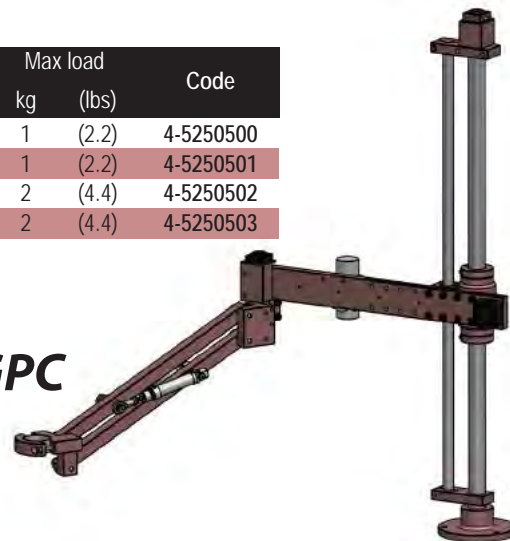
BA...RPC Series

Softly air balanced

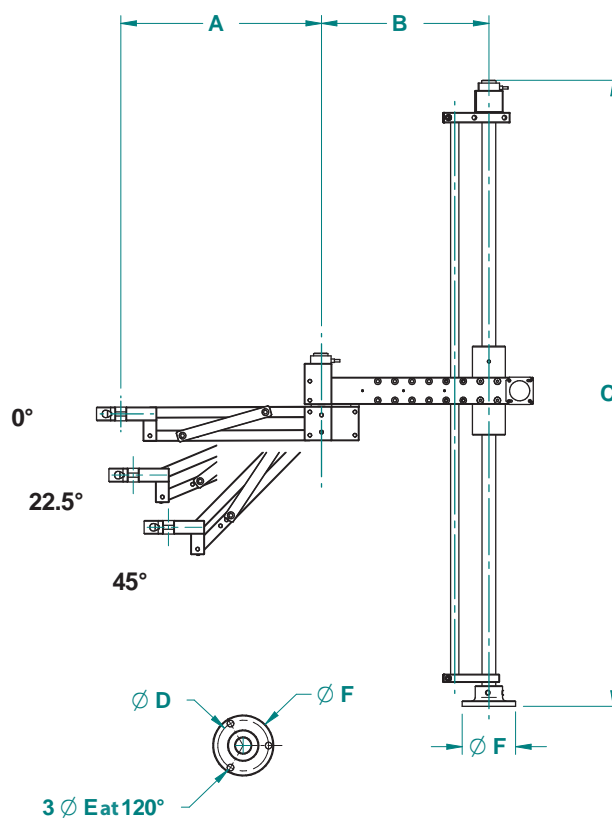
For	Max torque		Tool Ø		Operating range		Vertical stroke		Max load		Code
	Nm	(lbf ft)	mm	(in)	mm	(in)	mm	(in)	kg	(lbs)	
BA 10 GPC	10	(2.2)	27-50	(1.1-1.9)	470	(18.5)	170	(6.7)	1	(2.2)	4-5250500
BA 10 GPC/600	10	(2.2)	27-50	(1.1-1.9)	600	(23.6)	170	(6.7)	1	(2.2)	4-5250501
BA 30 GPC	30	(6.7)	28-52	(1.1-2)	670	(26.4)	220	(8.7)	2	(4.4)	4-5250502
BA 30 GPC/800	30	(6.7)	28-52	(1.1-2)	800	(31.5)	220	(8.7)	2	(4.4)	4-5250503

Drawing : see page 21.

BA 10/30 GPC



Dimensions BA...RPC



Model	At 0°		At 22.5°		At 45°		B min		B max		C		Operating radius at 22,5°	
	mm	(in)	mm	(in)	mm	(in)	mm	(in)	mm	(in)	mm	(in)	mm	(in)
BA 12 RPC	279	(11)	261	(10.3)	209	(8.2)	145	(5.7)	245	(9.6)	816	(32.1)	450	(17.7)
BA 25 RPC	296	(11.7)	278	(10.9)	227	(8.9)	145	(5.7)	245	(9.6)	916	(36.1)	460	(18.1)
BA 25 RPC/600	358	(14.1)	336	(13.2)	271	(10.7)	330	(13)	330	(13)	916	(36.1)	600	(23.6)
BA 40 RPC	414	(16.3)	387	(15.3)	310	(12.2)	200	(7.9)	350	(13.8)	1016	(40)	650	(25.6)
BA 40 RPC/800	503	(19.8)	470	(18.5)	374	(14.7)	415	(16.3)	415	(16.3)	1016	(40)	800	(31.5)
BA 100 RPC	462	(18.2)	433	(17)	351	(13.8)	255	(10)	405	(15.9)	1016	(40)	730	(28.7)
BA 100 RPC/900	564	(22.2)	528	(20.8)	425	(16.7)	520	(20.5)	520	(20.5)	1016	(40)	900	(35.4)
BA 100 RPC/1100	694	(27.3)	648	(25.5)	517	(20.4)	635	(25.0)	635	(25)	1016	(40)	1100	(43.3)

D, E, F similar to BA...R