



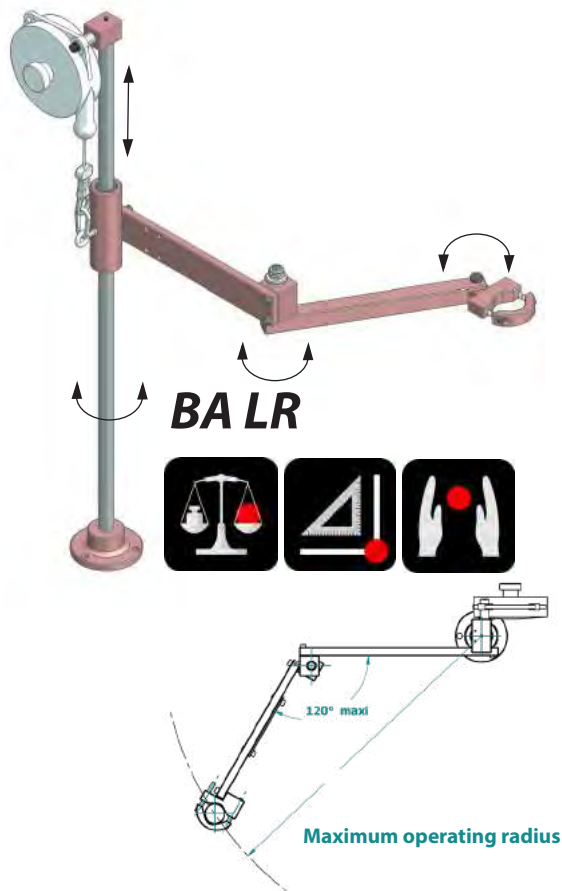
# Articulated reaction arms

## BA...R Series

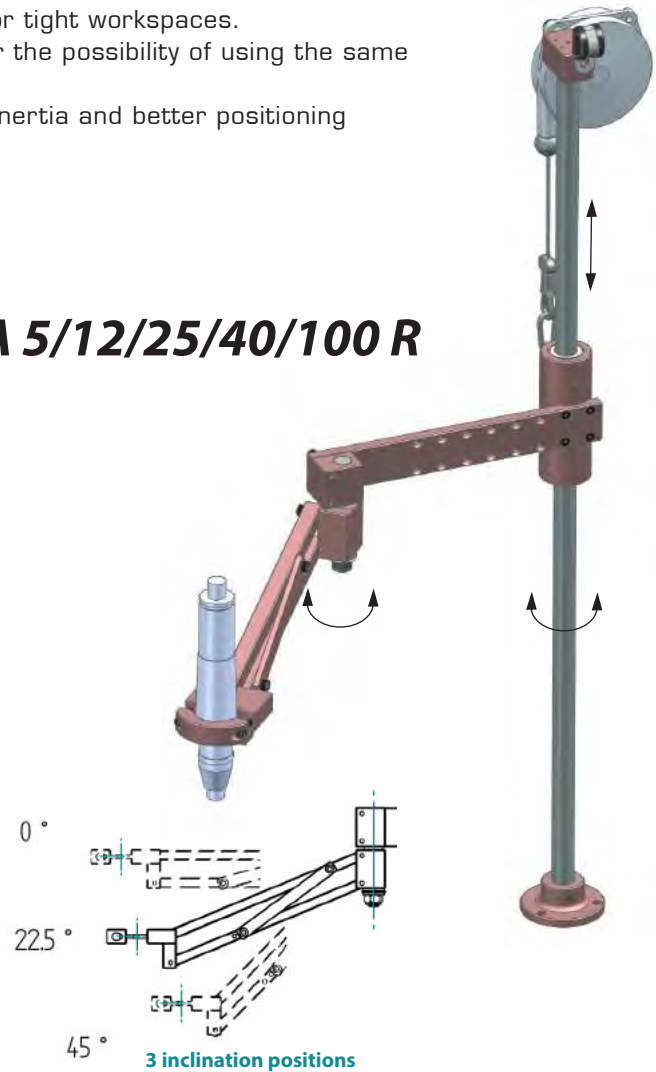


BA...R Series: The rotating, articulated design creates a highly flexible work station. Because it swivels and folds like a human arm, it is recommended for tight work areas.

- An optimum balance of size and performance - ideal for tight workspaces.
- Economical and versatile - multiple clamp choices offer the possibility of using the same arm with straight, pistol, and angle drivers.
- High operator comfort - the articulated arm has less inertia and better positioning accuracy.



## BA 5/12/25/40/100 R



Model	3D Drawing	Max torque		Tool Ø		Max tool load		Max radius		Code
		Nm	(lbf-ft)	mm	(in)	kg	(lbs)	mm	(in)	
BA LR	F	-	-	25-42	(0.9-1.7)	0.9	(1.9)	450	(17.7)	4-5200826
BA 5 R	F	5	(3.7)	25-42	(0.9-1.7)	0.9	(1.9)	420	(16.5)	4-5200098
BA 12 R	F	12	(8.9)	27-50	(1.1-1.9)	1.20	(2.7)	450	(17.7)	4-5201001
BA 12 R	F	12	(8.9)	27-50	(1.1-1.9)	1.00	(2.2)	600	(23.6)	4-5201002
BA 25 R	F	25	(18.4)	28-52	(1.1-2.1)	2.20	(4.9)	445	(17.5)	4-5200070
BA 25 R	F	25	(18.4)	28-52	(1.1-2.1)	1.90	(4.2)	600	(23.6)	4-5200274
BA 25 R	F	25	(18.4)	28-52	(1.1-2.1)	1.50	(3.3)	800	(31.5)	4-5200275
BA 40 R	F	40	(29.5)	28-52	(1.1-2.1)	2.2-4*	(4.9-8.8*)	630	(24.8)	4-5200071
BA 40 R	F	40	(29.5)	28-52	(1.1-2.1)	2-3.5*	(4.4-7.7*)	800	(31.5)	4-5200276
BA 40 R	F	40	(29.5)	28-52	(1.1-2.1)	1.8-3*	(4.0-6.6*)	1000	(39.4)	4-5200277
BA 100 R	F	100	(73.8)	28-52	(1.1-2.1)	3.5-6*	(7.7-13*)	715	(28.1)	4-5200072
BA 100 R	F	100	(73.8)	28-52	(1.1-2.1)	3-5*	(6.6-11*)	900	(35.4)	4-5200278
BA 100 R	F	100	(73.8)	28-52	(1.1-2.1)	3	(6.6)	1100	(43.3)	4-5200279

\* With additional balancer - **Code : 4-5200143.**  
Delivered with standard clamp for straight tool.

# Articulated reaction arms

## BA...R Accessories

### Clamp for angle nutrunner

For	mm	Tool Ø (in)	Code
BA 12 R	27-50	(1.1-1.9)	4-5200089
BA 25 & 40 R	28-52	(1.1-2.1)	4-5200090
BA 100 R	28-52	(1.1-2.1)	4-5200091

### Clamp for pistol tool

For	mm	Tool Ø (in)	Code
BA 12 R	27-50	(1.1-1.9)	4-5200087
BA 25 & 40 R	28-52	(1.1-2.1)	4-5200088

### 2 axis clamp

For	mm	Tool Ø (in)	Code
BA 12 R	27-50	(1.1-1.9)	4-5200093
BA 25 & 40 R	28-52	(1.1-2.1)	4-5200094

### Quick change clamp

For	Adaptater code	Code
BA 12 R	4-5200847	4-5201003
BA 25 R	4-5200848	4-5200017
BA 40 R	4-5200848	4-5200017

### Auto rest spring

For	Code
BA 5/12 R	4-5200849
BA 25 R	4-5200850
BA 40 R	4-5200851

### Inverse mounting kit

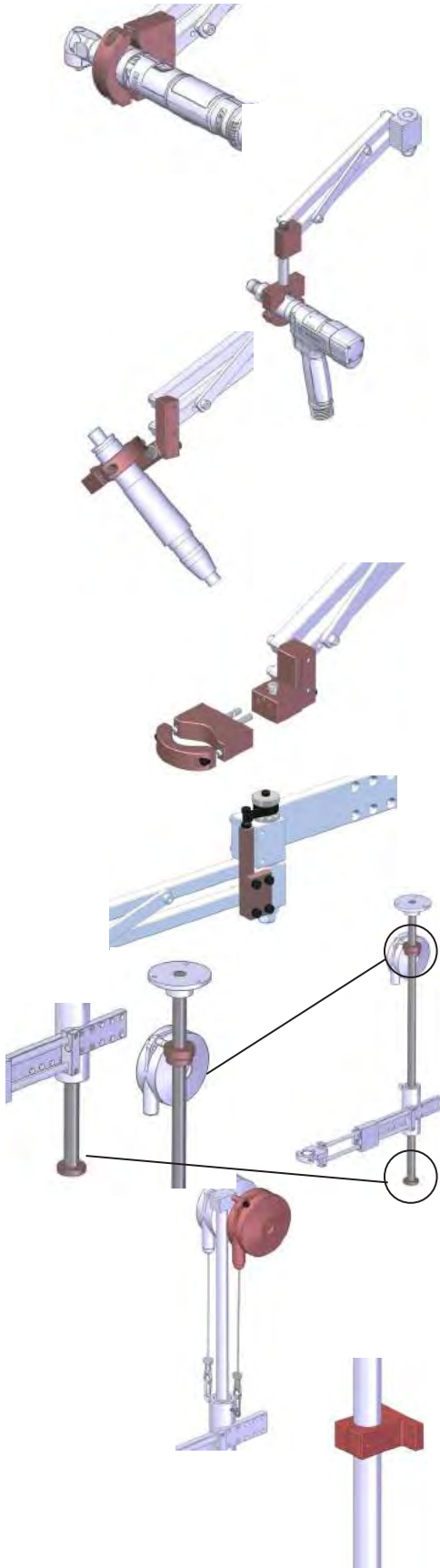
For	Code
BA 5 R	4-5200385
BA 12 & 25 R	4-5200128
BA 40 & 100 R	4-5200129

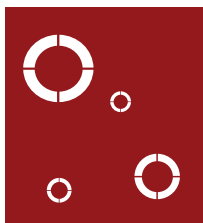
### Additional balancing kit

For	Arm max load (kg)	(lbs)	Code
BA 40 R	4	(8.8)	4-5200143
BA 100 R	6	(13.2)	4-5200143

### Pole upper clamp

For	Interface	Code
BA 12 & 25 R	two Ø 4.3 mm (0.17") at 45 mm (1.8") from pole axis	4-5200130
BA 40 & 100 R	two Ø 5.3 mm (0.2") at 60 mm (2.4") from pole axis	4-5200131





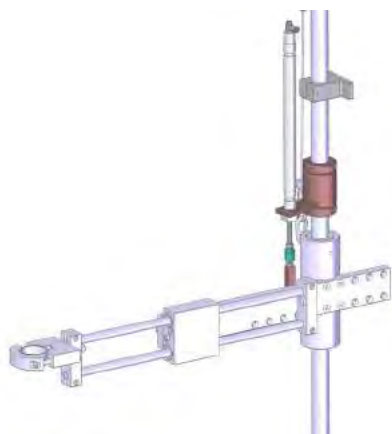
# Articulated reaction arms

## BA...R Accessories

### Downward assistance kits

Downward assistance kits provide substantial comfort and productivity increases. Since they require no effort from the operator they are ideal for self-tapping applications.

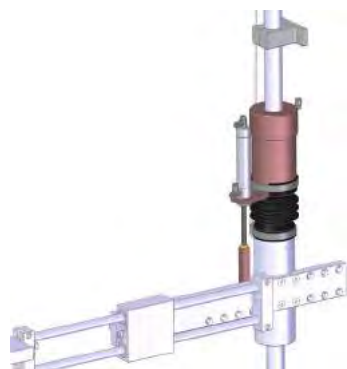
The BAPER system features a built-in collet that allows the system to be used at any height. The Easy Push system operates at a preset height by using a mechanical stop.



#### EASY PUSH

Model	For	Pushing force kg	(lbs)	Stroke mm	(in)	Type	Code
EP 12P	BA 12 R	5	(11)	125	(4.9)	Pneumatic	4-5200099
EP 25P	BA 25 R	9	(19.8)	160	(6.3)	Pneumatic	4-5200102
EP 40/100P	BA 40 & 100 R	9	(19.8)	200	(7.9)	Pneumatic	4-5200103
EP 12E	BA 12 R	5	(11)	125	(4.9)	Electric	4-5200838
EP 25E	BA 25 R	9	(19.8)	160	(6.3)	Electric	4-5200839
EP 40/100E	BA 40 & 100 R	9	(19.8)	200	(7.9)	Electric	4-5200840
Easy Push Cable/GX							4-5200843
Easy Push cable MD							4-5210010
Easy Push Cable/DELVO							4-5200844
Cable without connector							4-5200845
U3-D Interface for GX screwdrivers							4-1041888

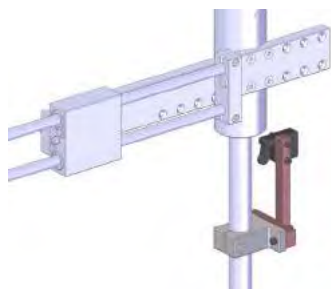
EASY PUSH kits are delivered without cable.



#### BAPER

Model	For	Pushing force kg	(lbs)	Type	Code
BAPER 12P	BA 12 R	5	(11)	Pneumatic	4-5200095
BAPER 25P	BA 25 R	8	(17.6)	Pneumatic	4-5200096
BAPER 40/100P	BA 40 & 100 R	8	(17.6)	Pneumatic	4-5200097
BAPER 12E	BA 12 R	5	(11)	Electric	4-5200830
BAPER 25E	BA 25 R	8	(17.6)	Electric	4-5200831
BAPER 40/100E	BA 40 & 100 R	8	(17.6)	Electric	4-5200832
BAPER Cable/GX					4-5200833
BAPER Cable MD					4-5210011
BAPER Cable/DELVO					4-5200834
Cable without connector					4-5200835
U3-D Interface for GX screwdrivers					4-1041888

Electric BAPER kits are delivered without cable.



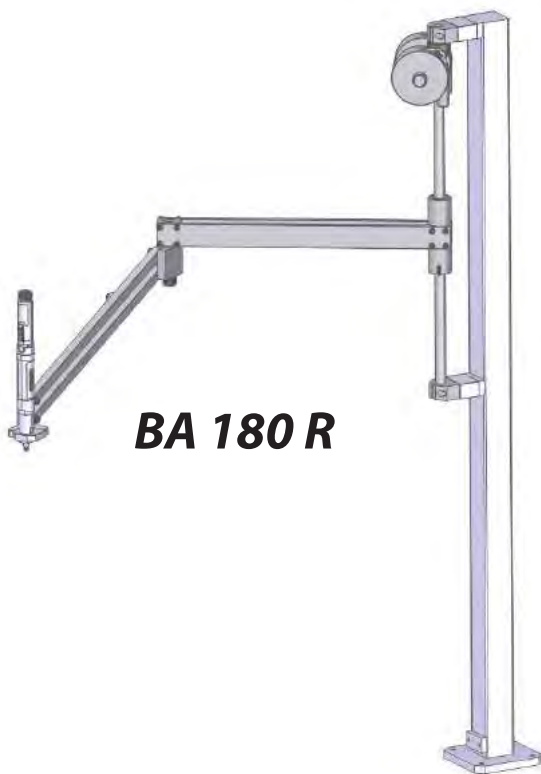
#### Safety kit

Model	For	Code
Safety kit	BA 12 & 25 R	4-5200134
Safety kit	BA 40 & 100 R	4-5200135

The safety kit allows to avoid activation of downward assistance before powerbit gets in contact with the screw.

# Articulated reaction arms

## BA...R high torque



**BA 180 R**



**BA 200/500 R**



**BA 180 R**

Model	3D Drawing	Max torque		Max tool load		Max radius		Code
		Nm	(lbf-ft)	kg	(lbs)	mm	(in)	
BA 180 R/1200	<b>F</b>	180	(133)	6	(13.2)	1200	(47.2)	4-5201095
BA 180 R/1500	<b>F</b>	180	(133)	4	(8.8)	1500	(59.1)	4-5200827

*Delivered without tool clamp, floor post and not anodized.*



**BA 200 R / 500 R**

Model	3D Drawing	Max torque		Max tool load		Max radius		Code
		Nm	(lbf-ft)	kg	(lbs)	mm	(in)	
BA 200 R	<b>F</b>	200	(148)	20	(44)	2000	(78.7)	4-5200828
BA 500 R		500	(369)	40	(88)	2000	(78.7)	4-5200829
BA 500 R/2500		500	(369)	30	(66.1)	2500	(98.4)	4-5283106
BA 500 R/3000		500	(369)	40	(88)	3000	(118)	4-5283107

*Delivered without tool clamp.  
Higher capacity on request.*



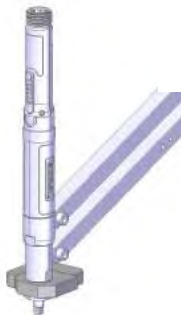
# Articulated reaction arms

## BA...R high torque accessories



### **BA 180 R equipped with optional floor post**

The BA 180 R can be mounted directly on your structure or to an optional post mounted on the floor.



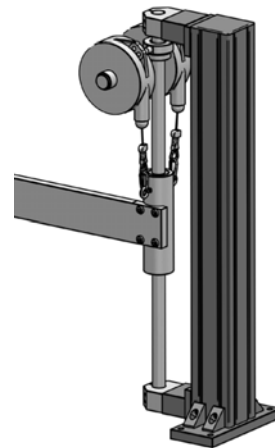
### **Arm/power tools interface for straight and angular tools with BA180R**

**Code : 4-5201108.**

*Note : please provide screwdriver model details.*

### **Table mount post BA200/BA180R**

**Code : 4-5201098.**



### **BA200/400 and 180R Floor Post**

**Code : 4-5201096.**

### **Pneumatic brake with optional rotary clamp**



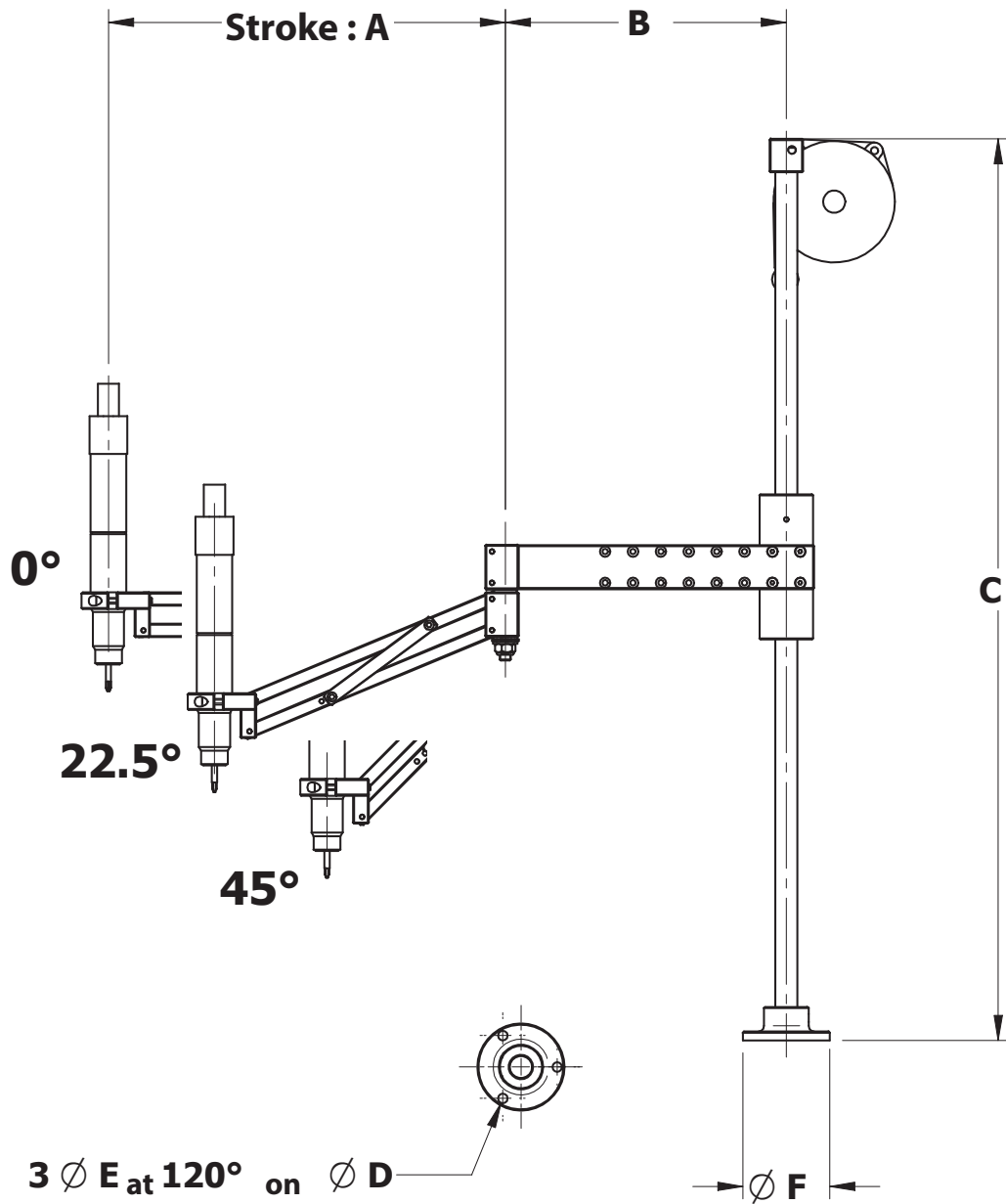
### **BA 200R/500R**

Numerous options are available :

- pneumatic brake
- rotary clamp
- controller base plate
- remote start handle

# Articulated reaction arms

## BA...R 5 to 100 Dimensions



### BA...R dimensions

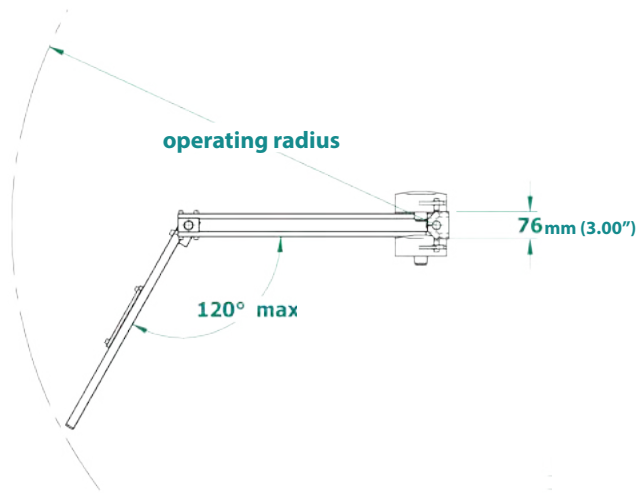
Model	A 0°		A 22.5°		A 45°		B Min		B Max		C		Operating radius at 22.5°	
	mm	(in)	mm	(in)	mm	(in)	mm	(in)	mm	(in)	mm	(in)	mm	(in)
BA 5 R	259	(10.2)	243	(9.6)	192	(7.6)	132	(5.2)	212	(8.4)	705	(27.8)	420	(16.5)
BA 12 R	279	(11)	261	(10.3)	209	(8.2)	102	(4)	252	(9.9)	808	(31.8)	450	(17.7)
BA 12 R / 600	332	(13.1)	310	(12.2)	247	(9.7)	332	(13.1)	357	(14.1)	808	(31.8)	600	(23.6)
BA 25 R	296	(11.7)	278	(10.9)	227	(8.9)	95	(3.7)	245	(9.7)	908	(35.8)	460	(18.1)
BA 25 R / 600	358	(14.1)	336	(13.2)	271	(10.7)	305	(12)	330	(13)	908	(35.8)	600	(23.6)
BA 25 R / 800	483	(19)	452	(17.8)	360	(14.2)	417	(16.4)	442	(17.4)	908	(35.8)	800	(31.5)
BA 40 R	414	(16.3)	387.5	(15.3)	310.5	(12.2)	150	(5.9)	350	(13.8)	1008	(39.7)	650	(25.6)
BA 40 R / 800	503	(19.8)	470	(18.5)	374	(14.7)	415	(16.3)	415	(16.3)	1008	(39.7)	800	(31.5)
BA 40 R / 1000	640	(25.2)	597	(23.5)	471	(18.5)	520	(20.5)	520	(20.5)	1008	(39.7)	1000	(39.4)
BA 100 R	462	(18.2)	433	(17.1)	351	(13.8)	205	(8.1)	405	(15.9)	1008	(39.7)	730	(28.7)
BA 100 R / 900	564	(22.2)	528	(20.8)	425	(16.7)	470	(18.5)	520	(20.5)	1008	(39.7)	900	(35.4)
BA 100 R / 1100	694	(27.3)	648	(25.5)	517	(20.4)	585	(23)	635	(25)	1008	(39.7)	1100	(43.3)



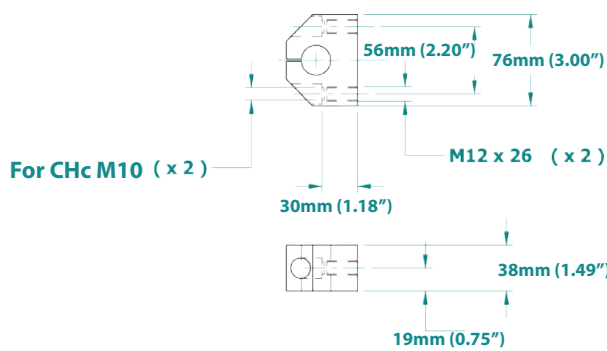
# Articulated reaction arms

## BA 180 R Dimensions

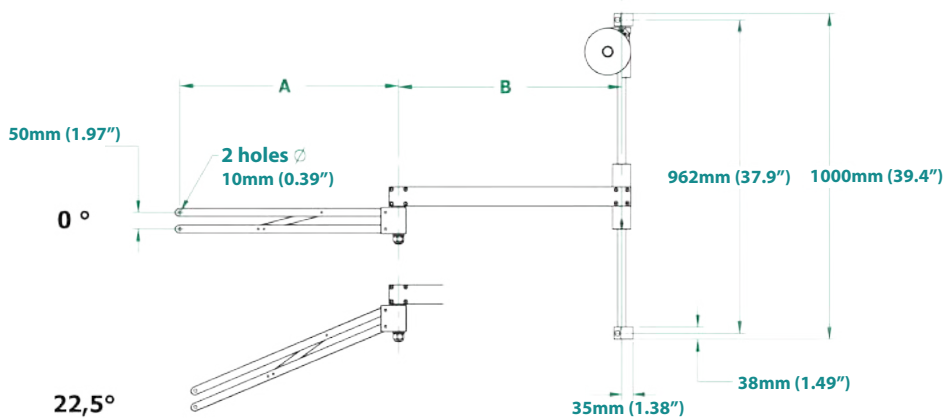
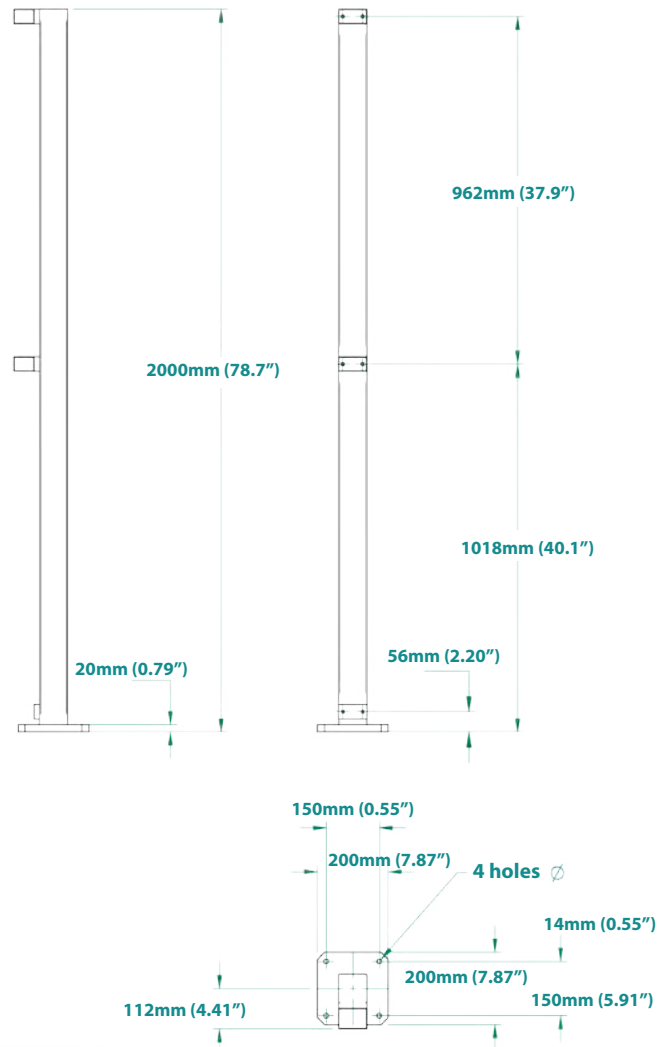
### BA 180 R



### Coupling flange



### Floor post



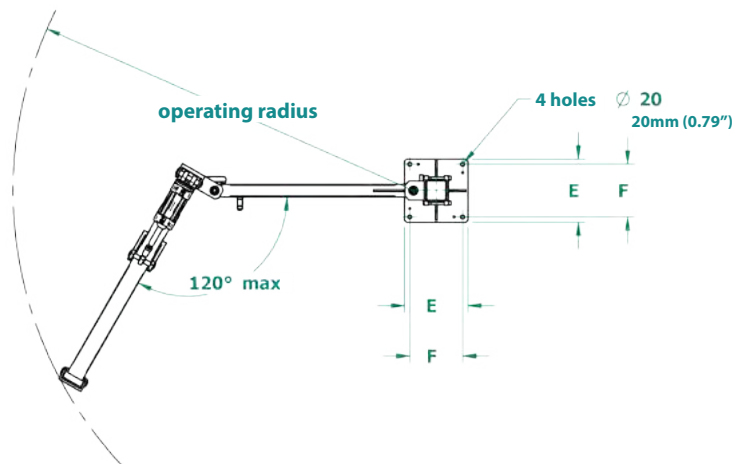
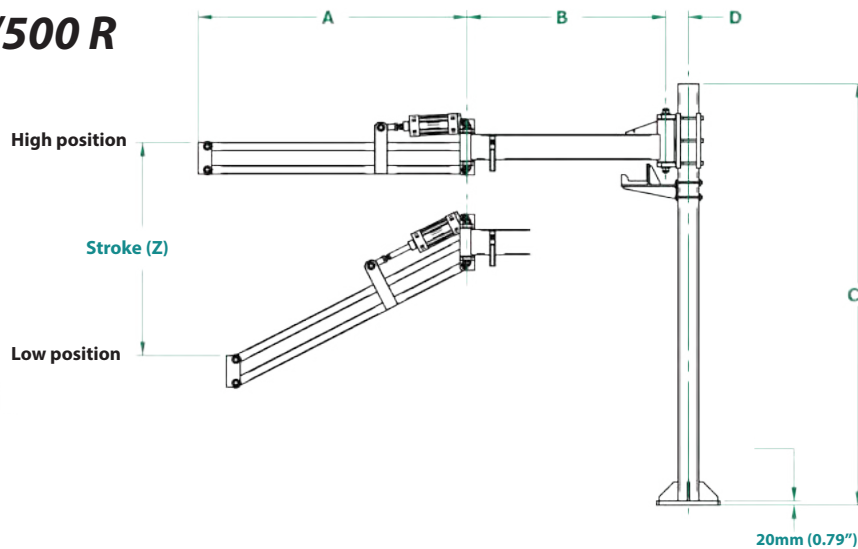
Model	A @ 0°		A @ 22.5°		B		C		Operating radius	
	mm	(in)	mm	(in)	mm	(in)	mm	(in)	mm	(in)
BA 180 R/1200	686	(27)	637	(25.1)	700	(27.6)	2000	(78.7)	1200	(47.2)
BA 180 R/1500	820	(32.3)	760	(29.9)	855	(33.7)	2000	(78.7)	1500	(59.1)



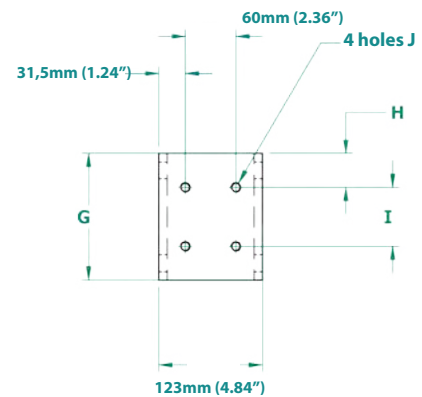
# Articulated reaction arms

## BA 200 & 500 R Dimensions

### BA 200/500 R



### Tool clamp mounting bracket



Model	A (high position)	Stroke Z	B	C	D	E	F	G	H	I	J	K	Operating radius
BA 200 R	1278	559	943	2000	108	300	250	150	40	70	M12	108	1900
BA 500 R	1278	559	943	2000	118	400	350	170	45	80	M16	118	1900
BA 500 R/2500	1478	650	1293	2000	118	400	350	170	45	80	M16	118	2400
BA 500 R/3000	1918	1100	1560	2000	118	500	450	170	45	100	M16	118	2900

Dimensions in mm.

Model	A (high position)	Stroke Z	B	C	D	E	F	G	H	I	J	K	Operating radius
BA 200 R	(50.3)	(22.0)	(37.1)	(78.7)	(4.3)	(11.8)	(9.8)	(5.9)	(1.6)	(1.6)	M12	(4.3)	(74.8)
BA 500 R	(50.3)	(22.0)	(37.1)	(78.7)	(4.7)	(15.8)	(13.8)	(6.7)	(1.8)	(1.8)	M16	(4.7)	(74.8)
BA 500 R/2500	(58.2)	(25.6)	(50.9)	(78.7)	(4.7)	(15.8)	(13.8)	(6.7)	(1.8)	(1.8)	M16	(4.7)	(94.5)
BA 500 R/3000	(77.9)	(43.3)	(61.4)	(78.7)	(4.7)	(19.7)	(17.7)	(6.7)	(1.8)	(1.8)	M16	(4.7)	(114.2)

Dimensions in inches.