

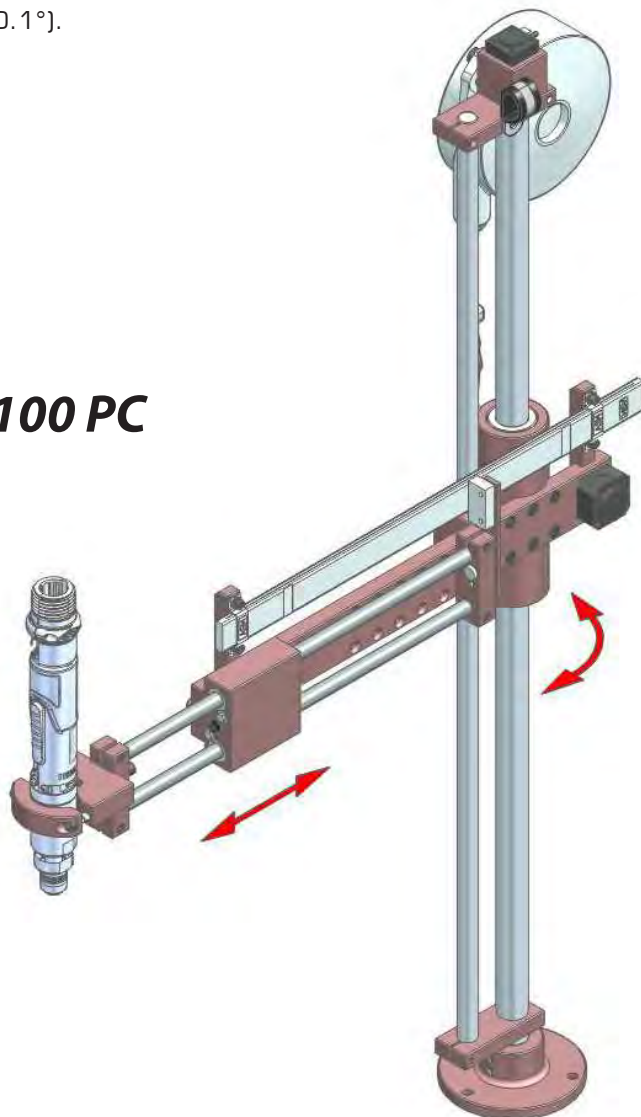
Linear arms

BA...PC Series



- Torque capacity up to 100 Nm (74 lbf•ft).
- Equipped with absolute, 12bit, angle encoders (0.1°).
- Higher torque versions available on request.

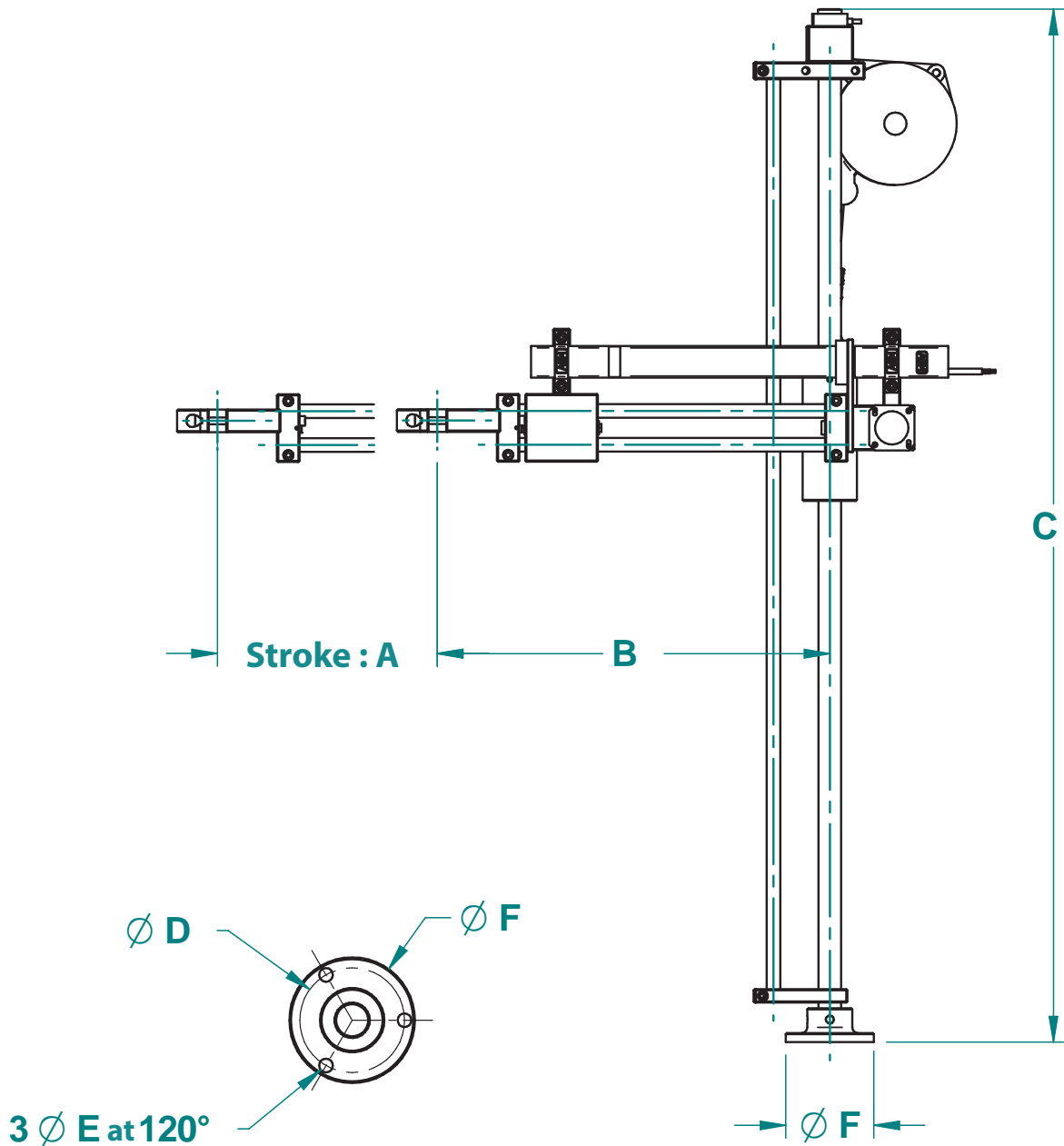
BA 12/25/40/100 PC



Model	3D Drawing	Torque max		Tool Ø		Stroke		Max load		Code
		Nm	(lbf•ft)	mm	(in)	mm	(in)	kg	(lbs)	
BA 12 PC	F	12	(9)	27-50	(1.1-1.9)	195	(7.7)	1.2	(2.6)	4-5201009
BA 25 PC	F	25	(18)	28-52	(1.1-2)	195	(7.7)	2.2	(4.9)	4-5201086
BA 40 PC	F	40	(30)	28-52	(1.1-2)	295	(11.6)	3	(6.6)	4-5201087
BA 40 PC/400	F	40	(30)	28-52	(1.1-2)	395	(15.6)	3	(6.6)	4-5201088
BA 100 PC	F	100	(74)	28-52	(1.1-2)	295	(11.6)	4	(8.8)	4-5201089
BA 100 PC/400		100	(74)	28-52	(1.1-2)	395	(15.6)	4	(8.8)	4-5201091

Linear arms

BA...PC Dimensions



Model	Stroke A		B min		B max		C		D		E		F	
	mm	(in)	mm	(in)	mm	(in)	mm	(in)	mm	(in)	mm	(in)	mm	(in)
BA 12 PC	195	(7.7)	186	(7.3)	336	(13.2)	816	(32.1)	65	(2.6)	8.5	(0.3)	78	(3.1)
BA 25 PC	195	(7.7)	201	(7.9)	351	(13.8)	916	(36.1)	65	(2.6)	8.5	(0.3)	78	(3.1)
BA 40 PC/300	295	(11.6)	320	(12.6)	470	(18.5)	1016	(40)	100	(3.9)	8.5	(0.3)	118	(4.6)
BA 40 PC/400	395	(15.6)	420	(16.5)	570	(22.4)	1016	(40)	100	(3.9)	8.5	(0.3)	118	(4.6)
BA 100 PC/300	295	(11.6)	335	(13.2)	485	(19.1)	1016	(40)	126	(5)	10.5	(0.4)	148	(5.8)
BA 100 PC/400	395	(15.6)	435	(17.1)	585	(23.0)	1016	(40)	126	(5)	10.5	(0.4)	148	(5.8)