



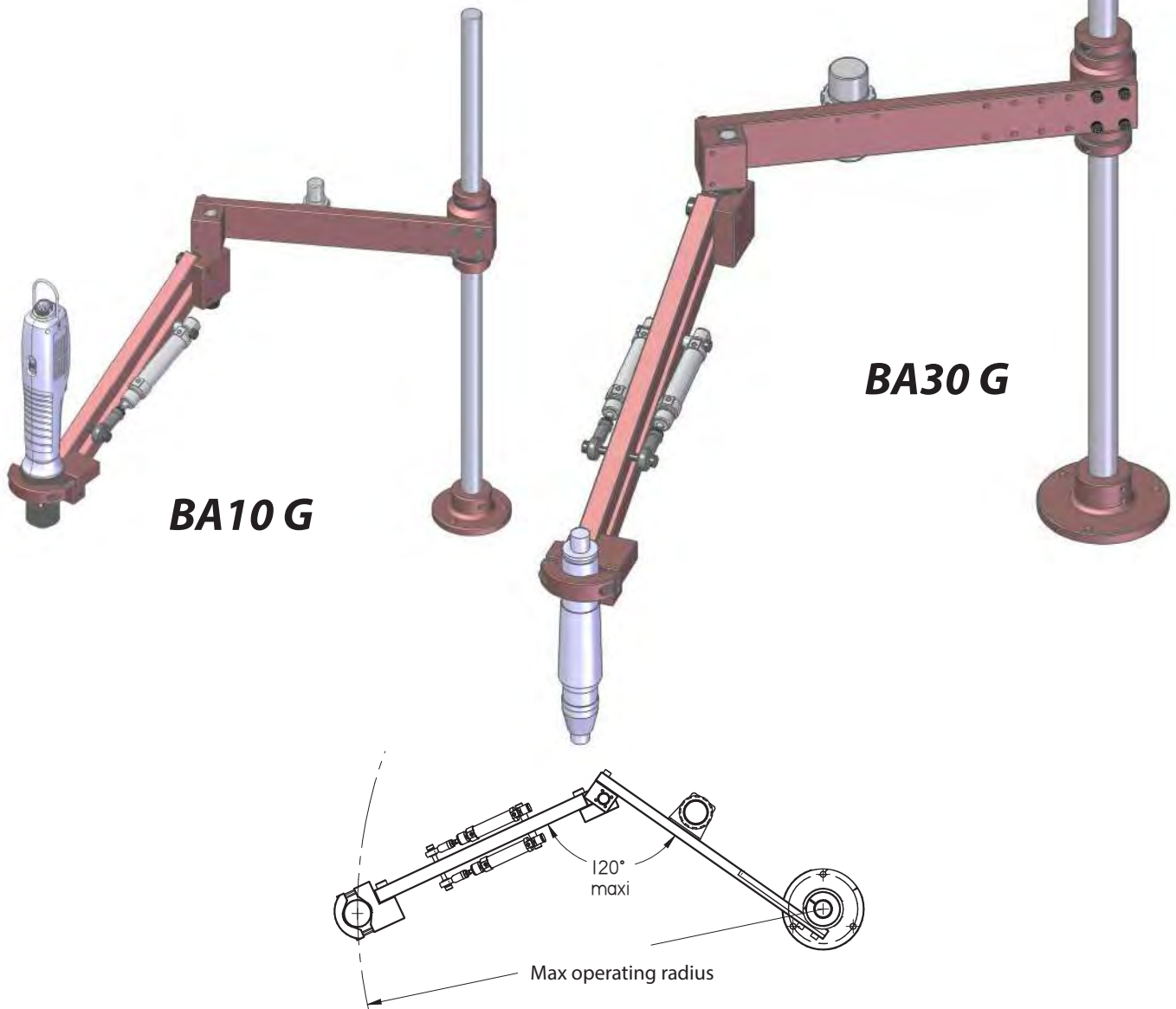
Articulated and air balanced pantograph

BA...G Series



Inspired from the BA...R Series, the BA...G Series provides even more flexibility and comfort thanks to the air balanced design.

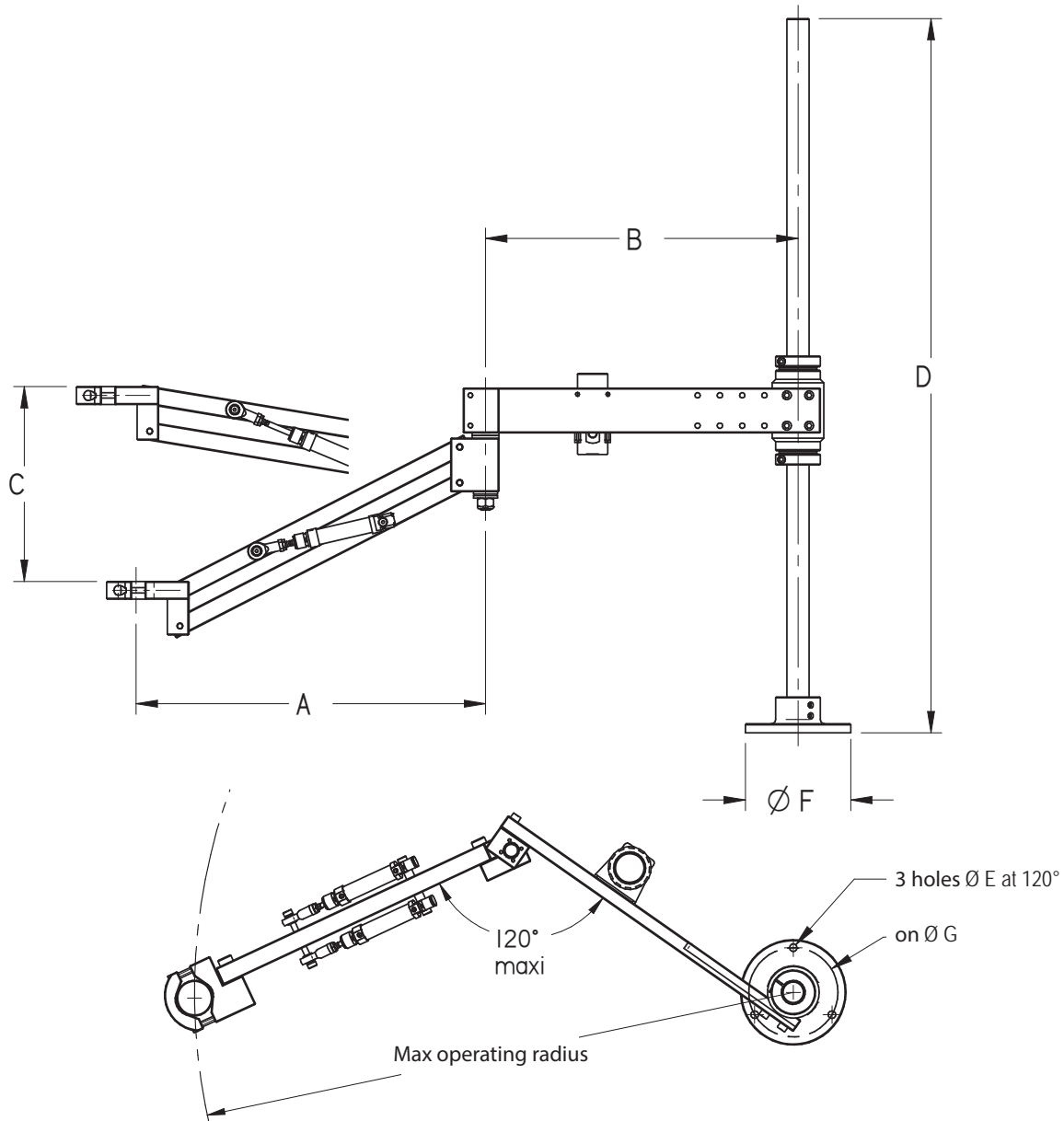
- Softly air balanced!
- Quick and quiet!



Model	3D Drawing	Torque max		Tool Ø		Vertical Stroke		Max radius		Max load		Code
		Nm	(lbf-ft)	mm	(in)	mm	(in)	mm	(in)	kg	(lbs)	
BA10 G	F	10	(2.4)	27-50	(1.1-2)	170	(6.7)	470	(18.5)	1	(2.2)	4-5201013
BA10 G/600	F	10	(2.4)	27-50	(1.1-2)	170	(6.7)	600	(23.6)	1	(2.2)	4-5201014
BA30 G	F	30	(6.7)	28-52	(1.1-2.1)	220	(8.7)	670	(26.4)	2	(4.4)	4-5201015
BA30 G/800	F	30	(6.7)	28-52	(1.1-2.1)	220	(8.7)	800	(31.5)	2	(4.2)	4-5201016

Articulated and air balanced pantograph

BA...G Series



Model	A (down)		B min		B max		C Vertical Stroke		D		E		F		G		Max radius	
	mm	(in)	mm	(in)	mm	(in)	mm	(in)	mm	(in)	mm	(in)	mm	(in)	mm	(in)	mm	(in)
BA10 G	260	(10.2)	202	(8)	252	(9.9)	170	(6.7)	600	(23.6)	8.5	(0.3)	78	(3.1)	65	(2.6)	470	(18.5)
BA10 G/600	260	(10.2)	357	(14.1)	407	(16)	170	(6.7)	600	(23.6)	8.5	(0.3)	78	(3.1)	65	(2.6)	600	(23.6)
BA30 G	391	(15.4)	250	(9.8)	350	(13.8)	218	(8.6)	800	(31.5)	8.5	(0.3)	118	(4.7)	100	(3.9)	670	(26.4)
BA30 G/800	391	(15.4)	405	(15.9)	505	(19.9)	218	(8.6)	800	(31.5)	8.5	(0.3)	118	(4.7)	100	(3.9)	800	(31.5)