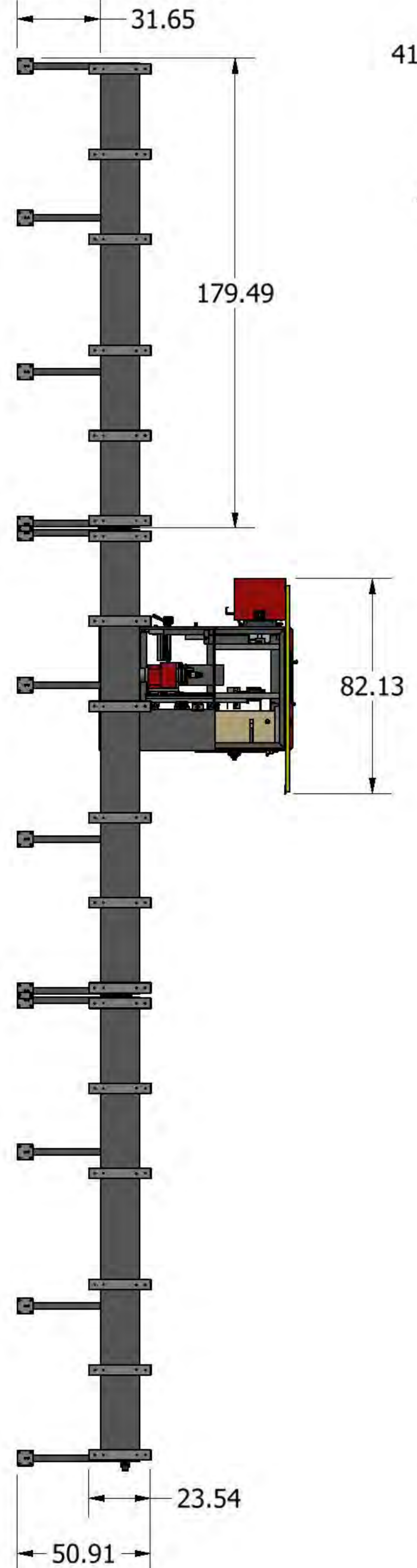
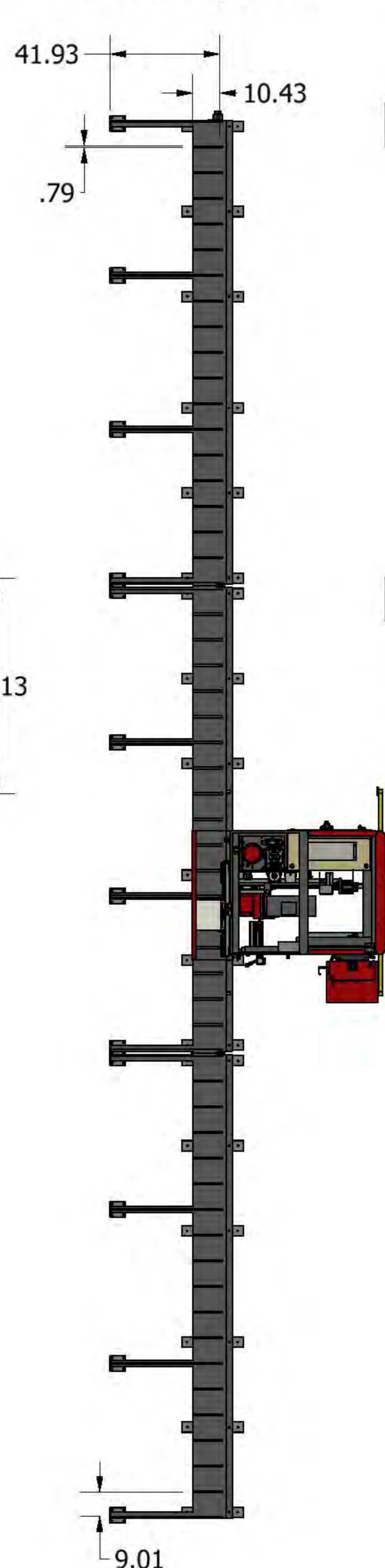


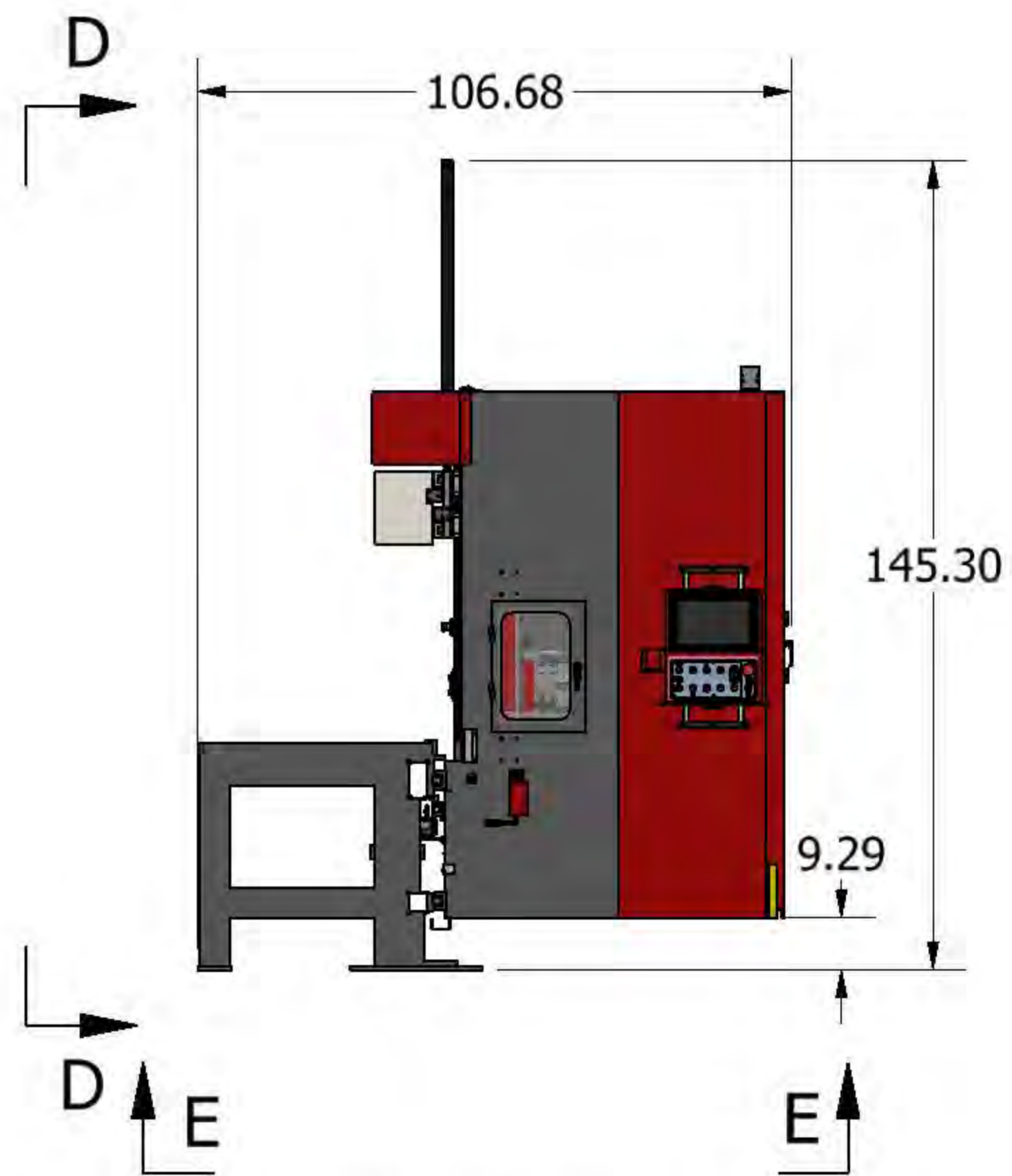
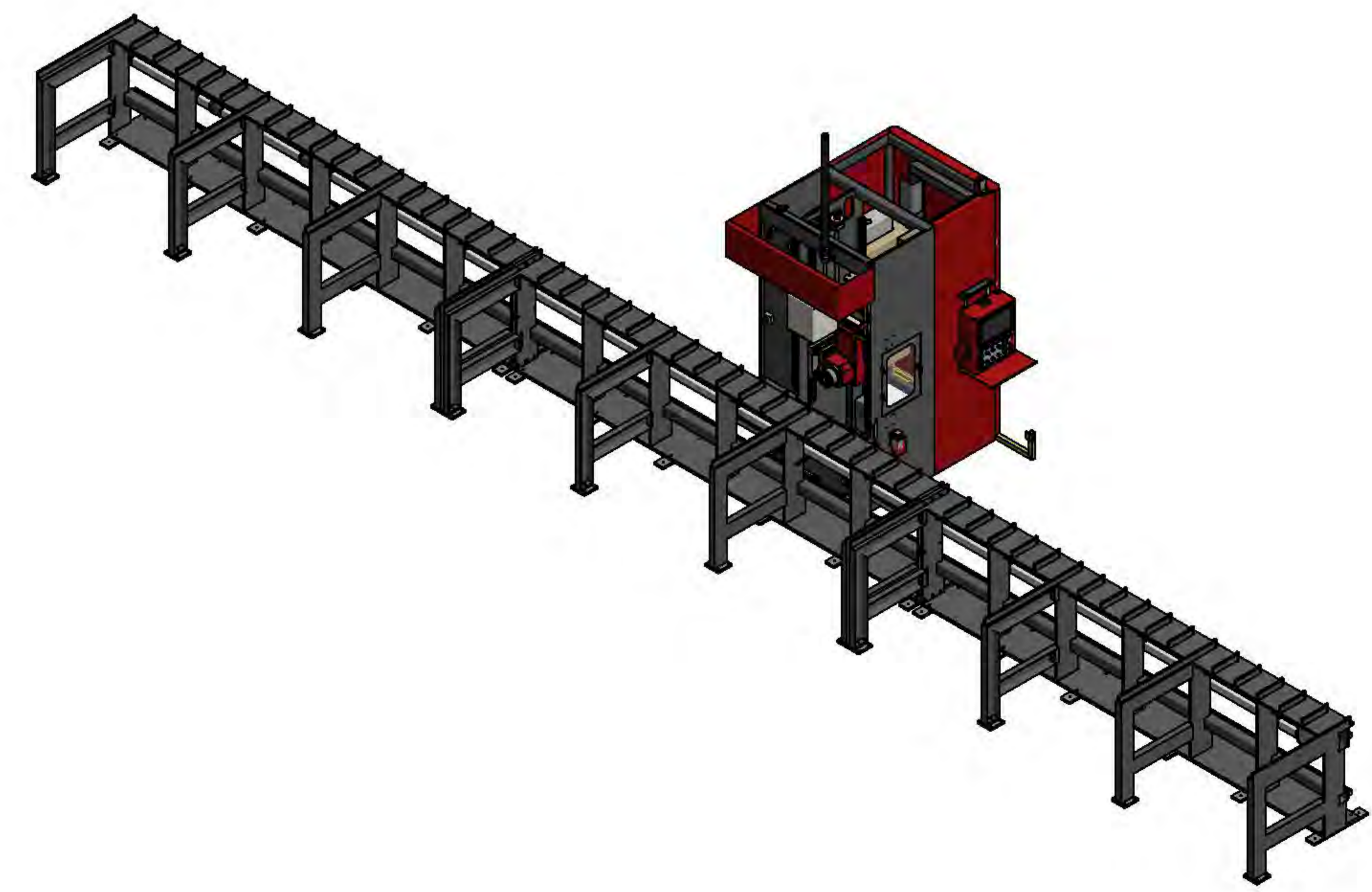
BOTTOM VIEW E-E
SCALE 1 / 60



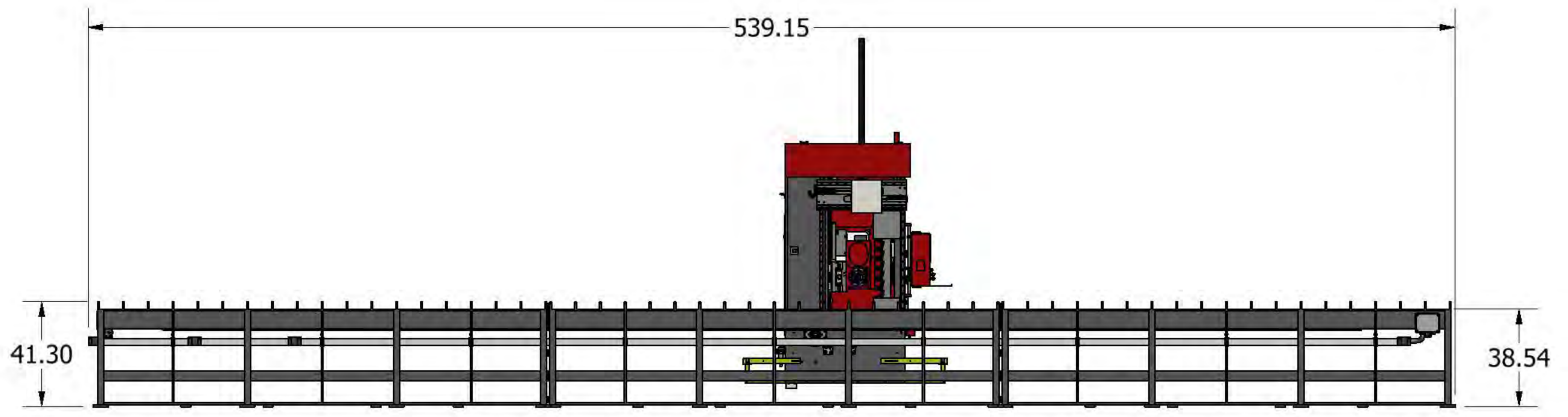
TOP VIEW
SCALE 1 / 60



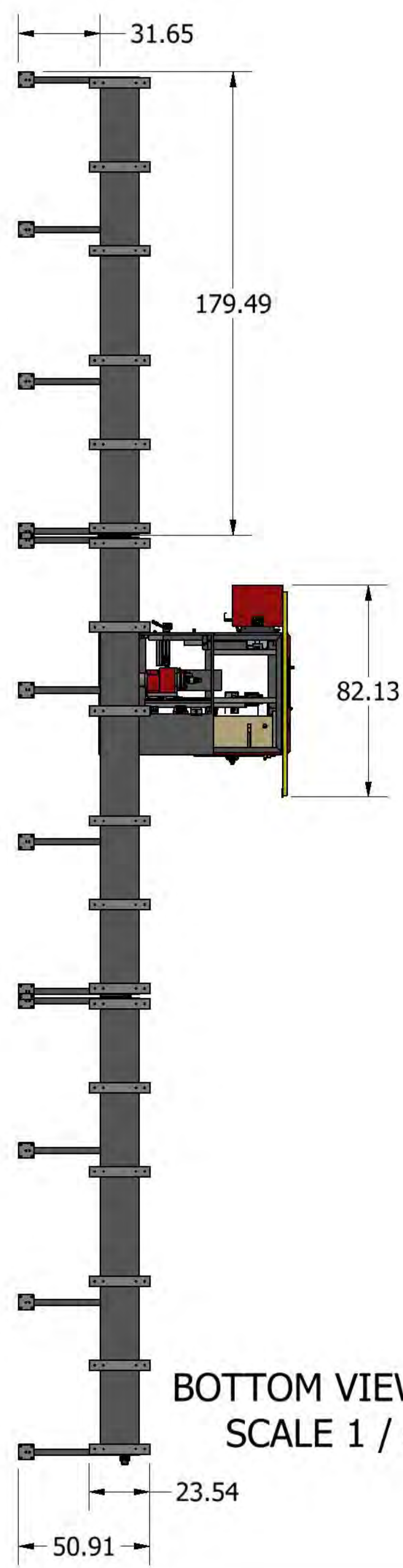
ISO VIEW
SCALE 1 / 60



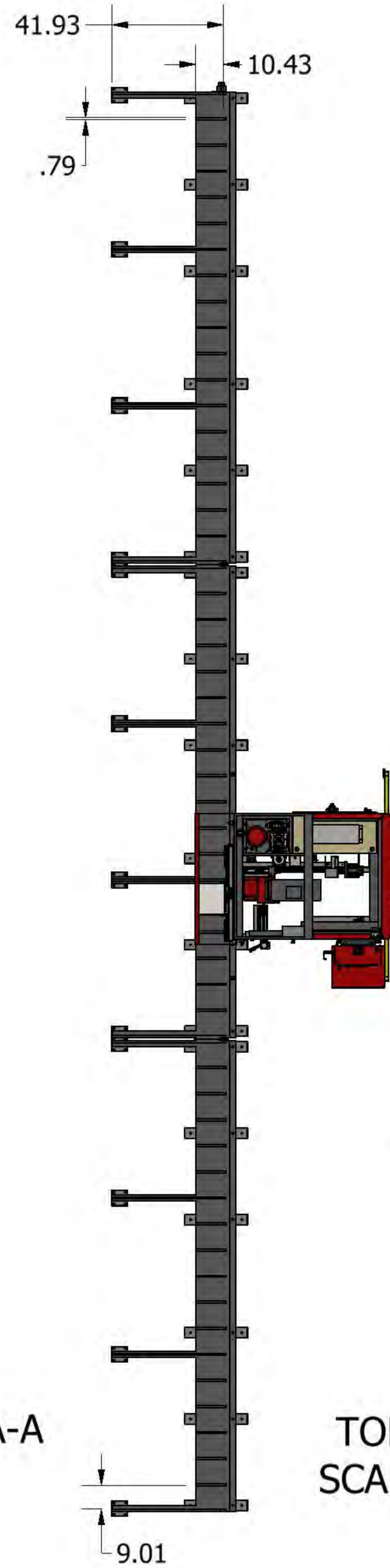
Maximum loading capacity:
600 kg-m² or ~120 psf (lbs-ft²)



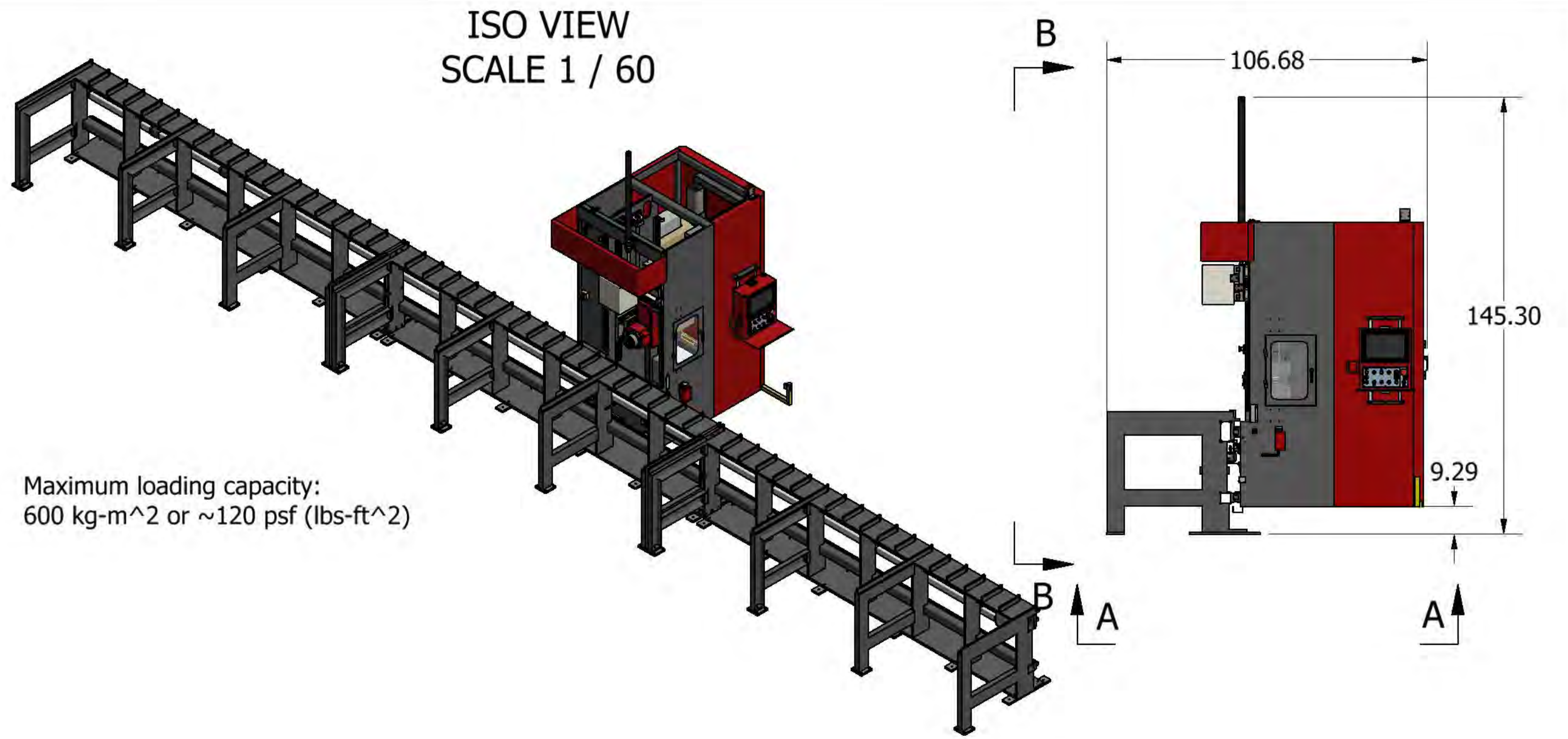
SIDE VIEW D-D
SCALE 1 / 60



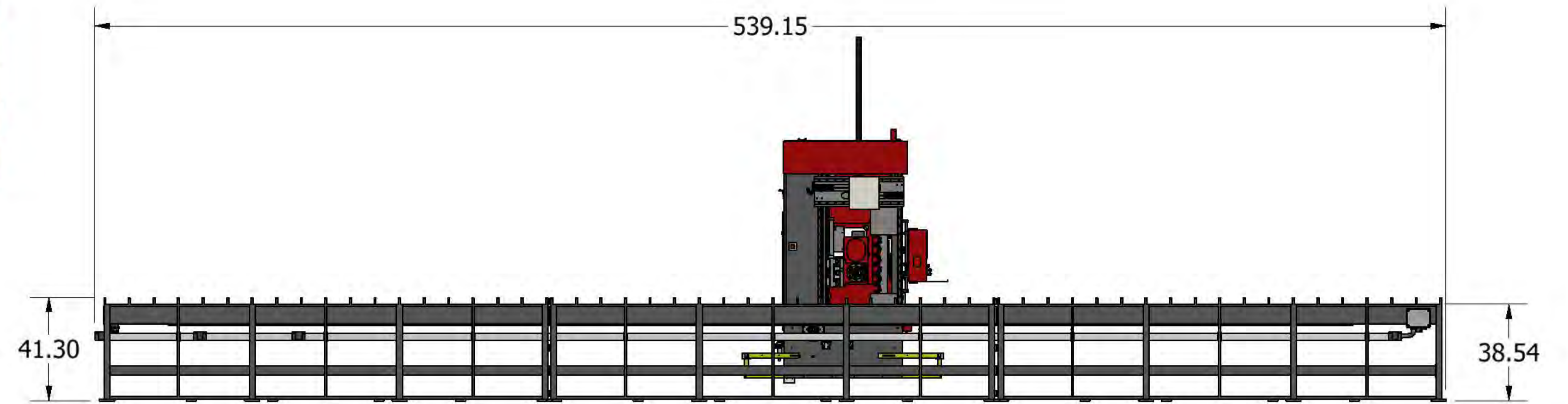
BOTTOM VIEW A-A
SCALE 1 / 60



TOP VIEW
SCALE 1 / 60



ISO VIEW
SCALE 1 / 60



SIDE VIEW B-B
SCALE 1 / 60

<i>Date:</i> 5/26/2020	<i>Tolerance:</i> <small>.00.....±.010</small> <small>DECIMAL: .000.....±.005</small> <small>.0000.....±.0005</small>	<i>Drawn By:</i> FlexCNC	<i>Option No.:</i>
<i>Name:</i> FlexBEAM			<i>Sheet:</i> 1 OF 1
<i>Material Specs:</i> Dimensions [in]			<i>Part No.:</i> FD OPT GRD 21
FlexCNC			