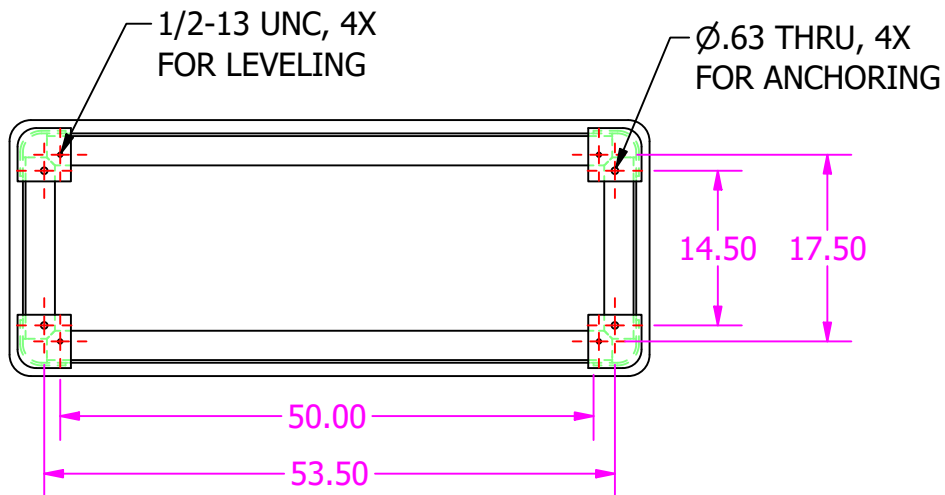

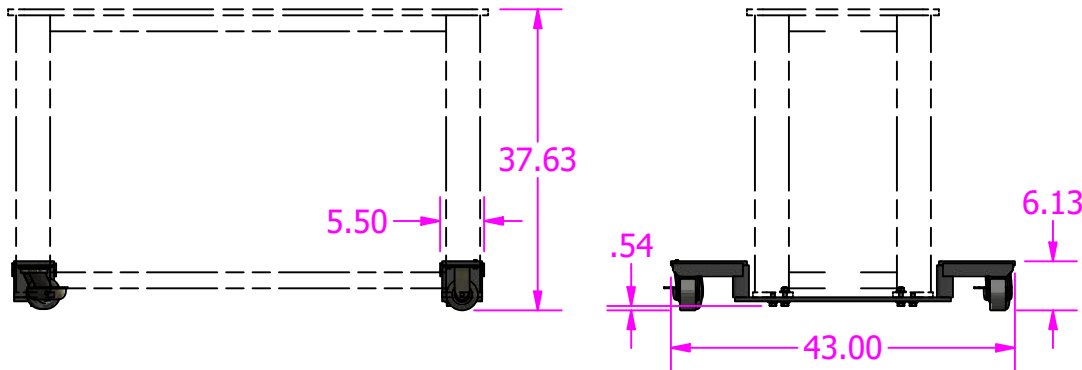
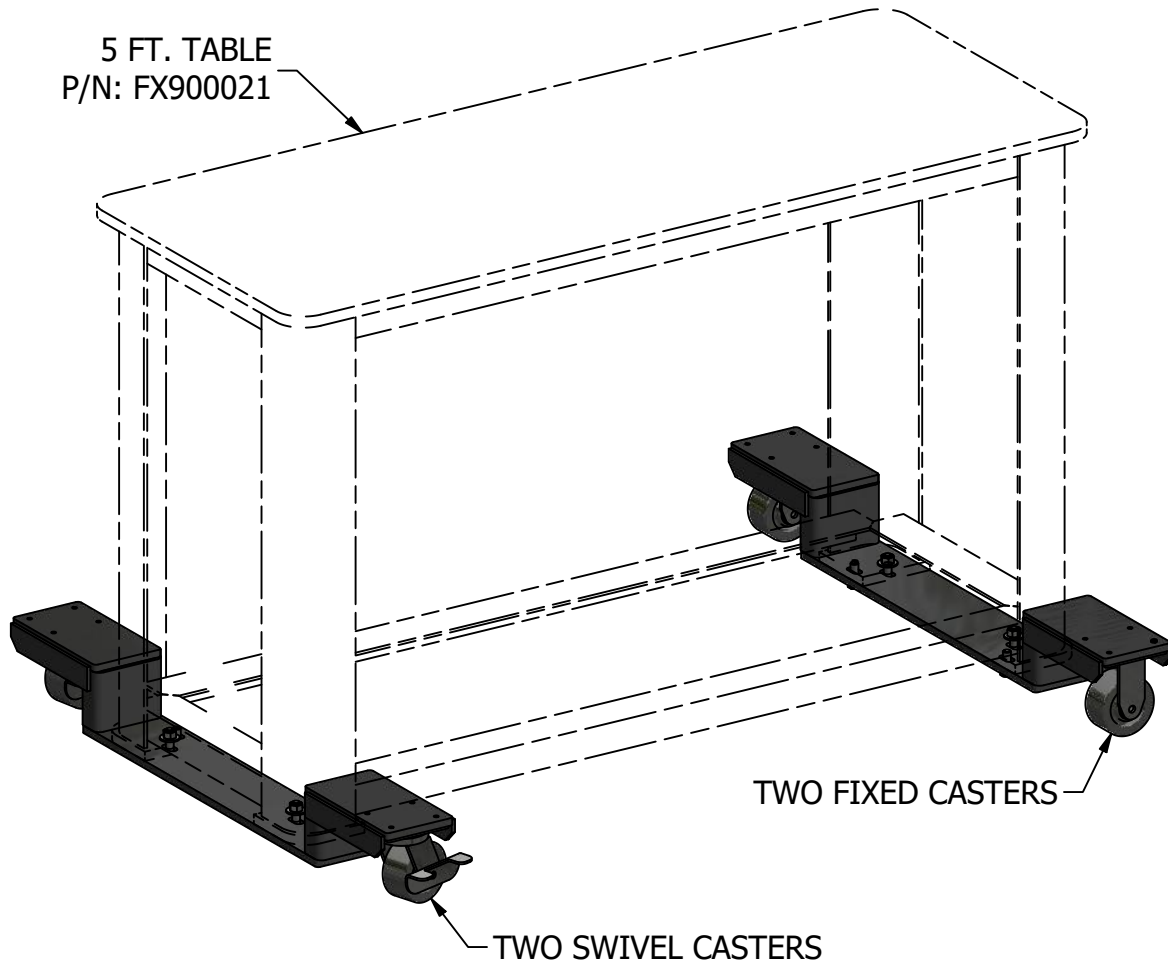



2000# CAPACITY



<i>Date:</i> 3/17/2020	<i>Tolerance:</i> .00.....±.010 DECIMAL: .000.....±.005 .0000.....±.0005	<i>Drawn By:</i> crieman	<i>Option No.:</i>
<i>Name:</i> 24" x 60" x 36" TABLE			
<i>Material Specs:</i>			<i>Sheet:</i> 1 OF 1
Flex  arm [™] Tapping & Assembly Arm Solutions		<i>Part No.:</i> FX900021	

5 FT. TABLE
P/N: FX900021



<i>Date:</i> 3/17/2020	<i>Tolerance:</i> .00.....±.010 DECIMAL: .000.....±.005 .0000.....±.0005	<i>Drawn By:</i> crieman	<i>Option No.:</i> FX900018
<i>Name:</i> CASTER BRACKETS FOR 5' TABLE			
<i>Material Specs:</i>			<i>Sheet:</i> 1 OF 1
Flex  arm [™] Tapping & Assembly Arm Solutions		<i>Part No.:</i> FX900018	