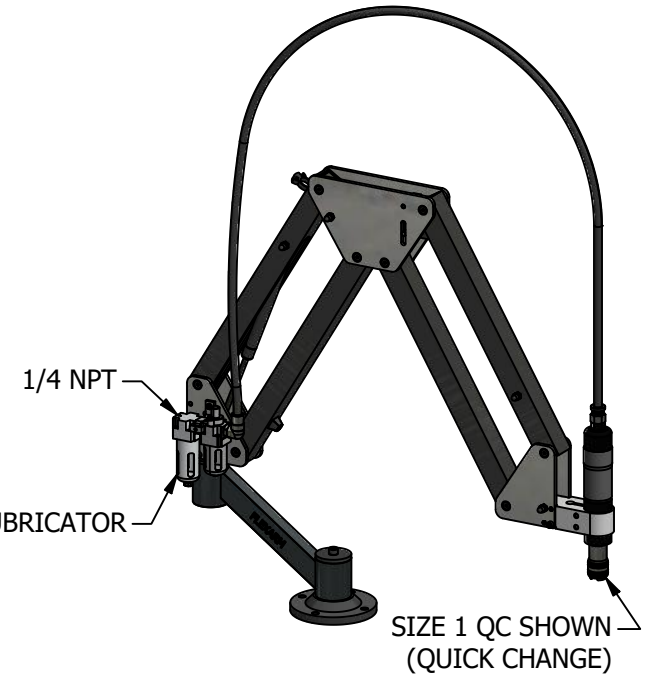


PART NUMBER	MOTOR RPM	CHUCK STYLE	TAP CAPACITY
S36-FX900110	400	SIZE 1 QC	$\frac{9}{16}$ " IN MILD STEEL
S36-FX900115	400	3/8" JACOBS	
S36-FX900120	600	SIZE 1 QC	$\frac{3}{8}$ " IN MILD STEEL
S36-FX900125	600	3/8" JACOBS	
S36-FX900130	1000	SIZE 1 QC	$\frac{5}{16}$ " IN MILD STEEL
S36-FX900135	1000	3/8" JACOBS	
S36-FX900140	1500	SIZE 1 QC	$\frac{1}{4}$ " IN MILD STEEL
S36-FX900145	1500	3/8" JACOBS	



<i>Date:</i> 3/19/2020	<i>Tolerance:</i> .00.....±.010 DECIMAL: .000.....±.005 .0000.....±.0005	<i>Drawn By:</i> crieman	<i>Option No.:</i> S-36
<i>Name:</i> S-36 (TAPPING ARM) WORKING RANGE			
<i>Material Specs:</i>			<i>Sheet:</i> 1 OF 1
		<i>Part No.:</i> S-36 WORKING RANGE	