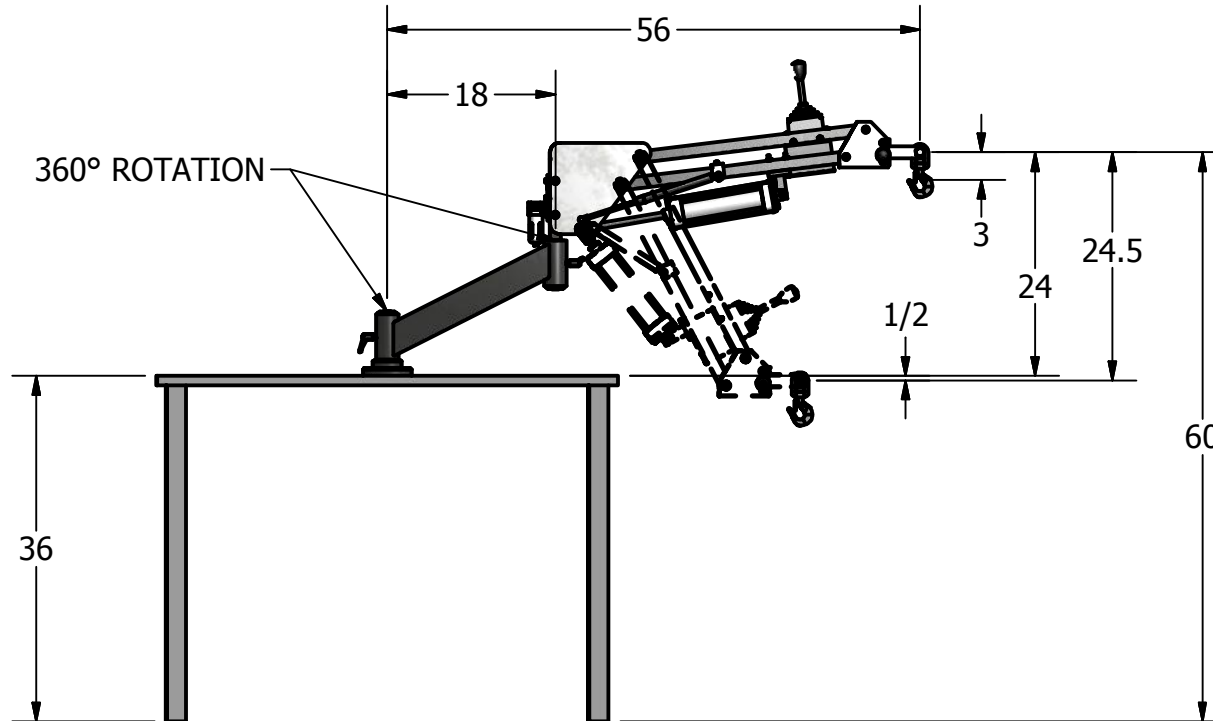


FLEXARM PART MANIPULATOR MODEL: PM-RNR MAX LIFTING CAPACITY 85LBS.




Load (lbs)	Pressure (psi)
85	120
75	100
65	90

-The pneumatic cylinder will require a minimum of 90 psi to perform the lifting operation.

-The lifting height is dependent on the load & air pressure (see chart).

-The part manipulator is capable of using air at 135 psi maximum if available.

<i>Date:</i> 9/21/2015	<i>Tolerance:</i> .00.....±.010 DECIMAL: .000.....±.005 .0000.....±.0005	<i>Drawn By:</i> crieman	<i>Option No:</i>
<i>Name:</i> PM-RNR DIMENSIONS			
<i>Material Specs:</i>			
		<i>Part No:</i>	360501