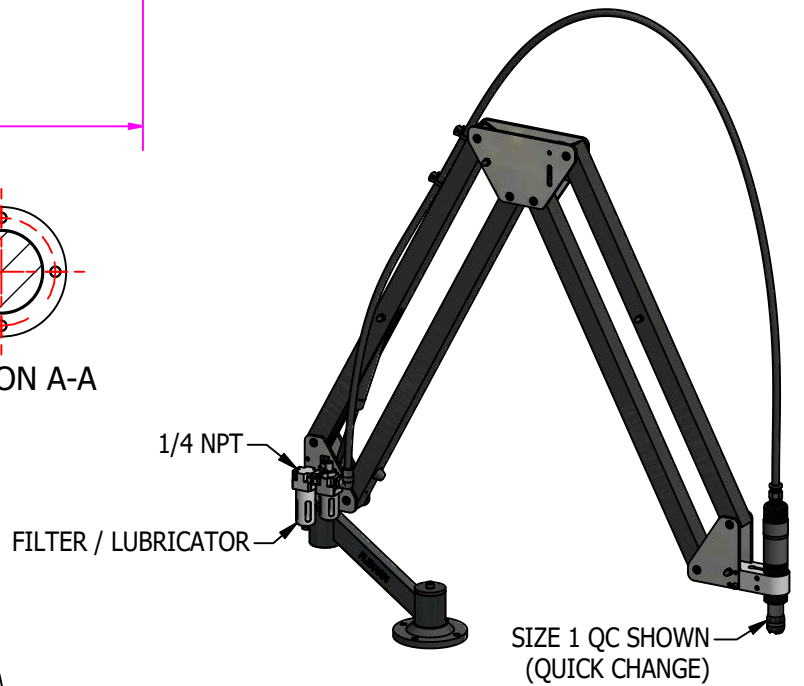


PART NUMBER	MOTOR RPM	CHUCK STYLE	TAP CAPACITY
M60-FX900110	400	SIZE 1 QC	$\frac{9}{16}$ " IN MILD STEEL
M60-FX900115	400	3/8" JACOBS	
M60-FX900120	600	SIZE 1 QC	$\frac{3}{8}$ " IN MILD STEEL
M60-FX900125	600	3/8" JACOBS	
M60-FX900130	1000	SIZE 1 QC	$\frac{5}{16}$ " IN MILD STEEL
M60-FX900135	1000	3/8" JACOBS	
M60-FX900140	1500	SIZE 1 QC	$\frac{1}{4}$ " IN MILD STEEL
M60-FX900145	1500	3/8" JACOBS	



Date: 3/19/2020	Tolerance: .00.....±.010 DECIMAL: .000.....±.005 .0000.....±.0005	Drawn By: crieman	Option No:
Name:			
Material Specs:			Sheet: 1 OF 1
		Part No: M-60 working range	