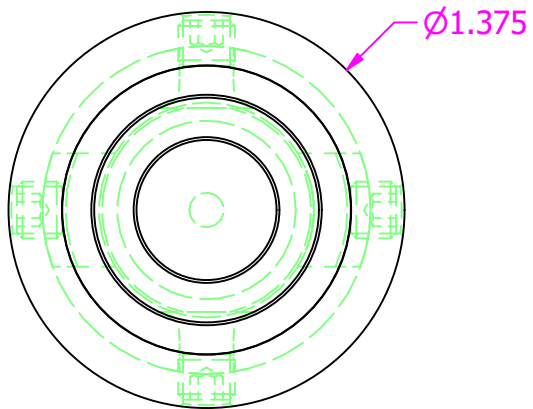



M5 SET SCREWS, 4X



NOTES:

- DIE HOLDER FITS ALL DIES HAVING A 1" O.D.
- DIES ARE HELD IN PLACE BY FOUR M5 SET SCREWS
- CAN PRODUCE MAX 1.13" LENGTH O.D. THREADS

<i>Date:</i> 4/3/2020	<i>Tolerance:</i> .00.....±.020 DECIMAL: .000.....±.010 .0000.....±.005	<i>Drawn By:</i> crieman	<i>Option No.:</i>
<i>Name:</i> 1" DIE HOLDER - SIZE 1			
<i>Material Specs:</i>			<i>Sheet:</i> 1 of 1
 Tapping & Assembly Arm Solutions		<i>Part No.:</i>	165135