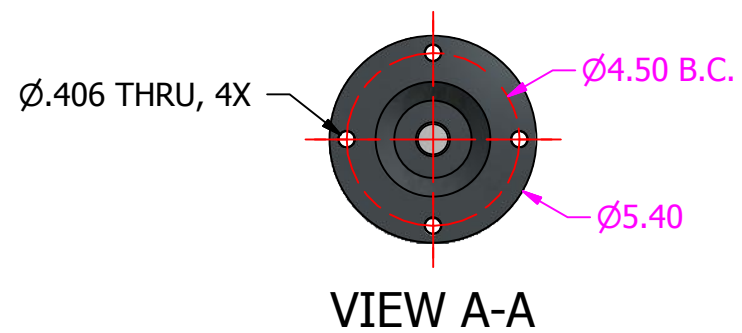


A ↑ ↑ A



<i>Date:</i> 6/7/2017	<i>Tolerance:</i> DECIMAL: .00.....±.010 .000.....±.005 .0000.....±.0005	<i>Drawn By:</i> crieman	<i>Option No.:</i> B-19
<i>Name:</i> B-19 WORKING RANGE			
<i>Material Specs:</i>			<i>Sheet:</i> 1 OF 1
		<i>Part No.:</i> B-19	