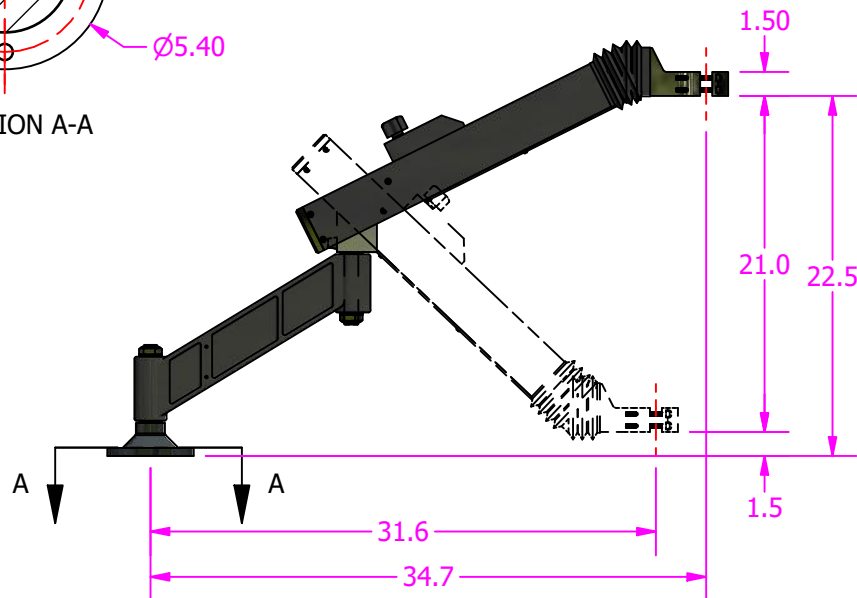


SECTION A-A



NOTES:

- STANDARD V-BLOCK ACCEPTS TOOL DIAMETERS Ø1" TO Ø2.25"
- MAX TORQUE REACTION OF 50 LBF-FT
- MAX COUNTERBALANCE WEIGHT OF 12 LBS
- TOOL WEIGHT MUST BE PROVIDED AT ORDER

<i>Date:</i> 4/24/2020	<i>Tolerance:</i> .00.....±.010 DECIMAL: .000.....±.005 .0000.....±.0005	<i>Drawn By:</i> crieman	<i>Option No.:</i>
<i>Name:</i> A-32 (ARM ONLY) WORKING RANGE			
<i>Material Specs:</i>			<i>Sheet:</i> 1 OF 1
		<i>Part No.:</i> A-32 WORKING RANGE	